

		○ ON ● OFF			
TYPE	POSITION	CODE			
	□□R	1	2	4	8
10 STEP	0	●	●	●	●
	1	○	●	●	●
	2	●	○	●	●
	3	○	○	●	●
	4	●	●	○	●
	5	○	●	○	●
	6	●	○	○	●
	7	○	○	○	●
	8	●	●	●	○
	9	○	●	●	○
16 STEP	A	●	○	●	○
	B	○	○	●	○
	C	●	●	○	○
	D	○	●	○	○
	E	●	○	○	○
	F	○	○	○	○

CIRCUIT CHART

NAME	H
C8951-06HAGWXOH	
C8951-06HBGWXOH	0
C8951-06AAGWXOH	
C8951-06ABGWXOH	3.00 [.1181]

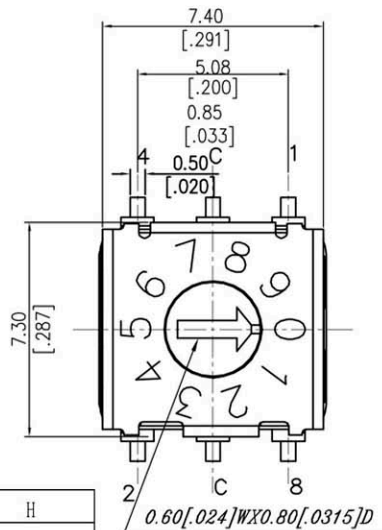
Note:

- All dimensions are in millimeters, bracketed dimension are in inches.
- General tolerances Max:±0.2mm[±0.008]

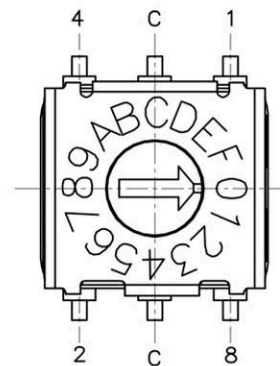
Specifications:

- Contact Rating:Gold: 100mA max 10μA min DC 30V
- Contact Resistance:100 mΩ max;150mΩ after life
- Operating Temperature:-40°C to 85 °C
- Storage Temperature:-40°C to 85 °C
- Electrical Life:1,5000 Steps min

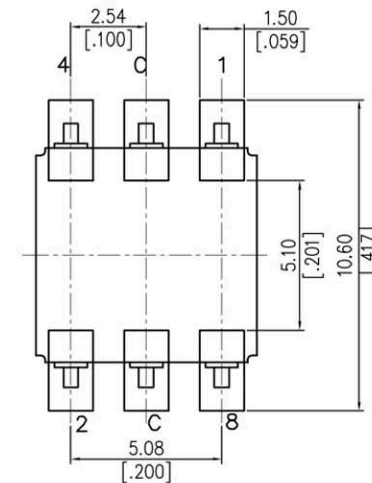
ITEM	DESC	Q'TY	MATERIALS	TREATMENT
1	COVER	1	STAINLESS STEEL	-
2	SEAL	1	SILICONE RUBBER	MOLDED RED
3	ACTUATOR	1	HIGH - TEMP THERMOPLASTIC LCP	MOLDED WHITE
4	SPRING PLATE	1	STAINLESS STEEL	-
5	CONTACT	1	ALLOY COPPER	GOLD PLATED
6	BASE	1	HIGH - TEMP THERMOPLASTIC LCP	MOLDED BLACK
7	TERMINAL	1	PHOSPHOR BRONZE	GOLD PLATED



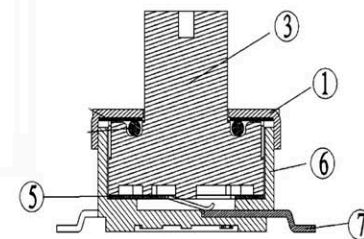
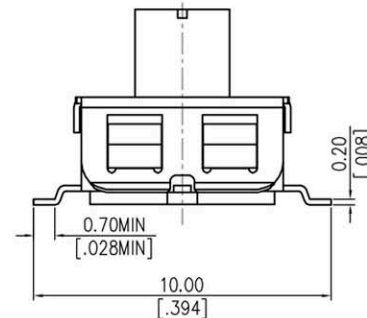
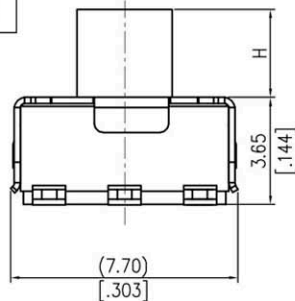
“↑ 10 Steps”
(C8951-06(H, A)AGWXOH)



↑ 16 Steps”
(C8951-06(H, A)BGWXOH)



P.C.B. LAYOUT



RoHS
Compliant

HSM 玄茂科技股份有限公司
HSUAN MAO TECHNOLOGY CO., LTD.

APPD. 核准
DWG. 製圖 Helen
DATE 制表日 2023/3/23

SCALE 比例 參考
UNIT 單位 MM
PAGE 張數 1 OF 1

TOLERANCE 容許公差
0 ± 0.35
.00 ± 0.25
ANG. ± 5°
SIZE. 紙張尺寸 A4
REV. 版本 A

PART NAME 品名
7mm X 7mm ROTARY CODED SWITCH SMT
TYPE (10 OR 16 STEPS) 3+3P
(H=0.0mm OR 3.0mm) GOLD FLASH PLATING
WHITE COLOR HALOGEN FREE ROHS

PART NO.
料號 C8951-06(H,A)(A,B)GWX0H