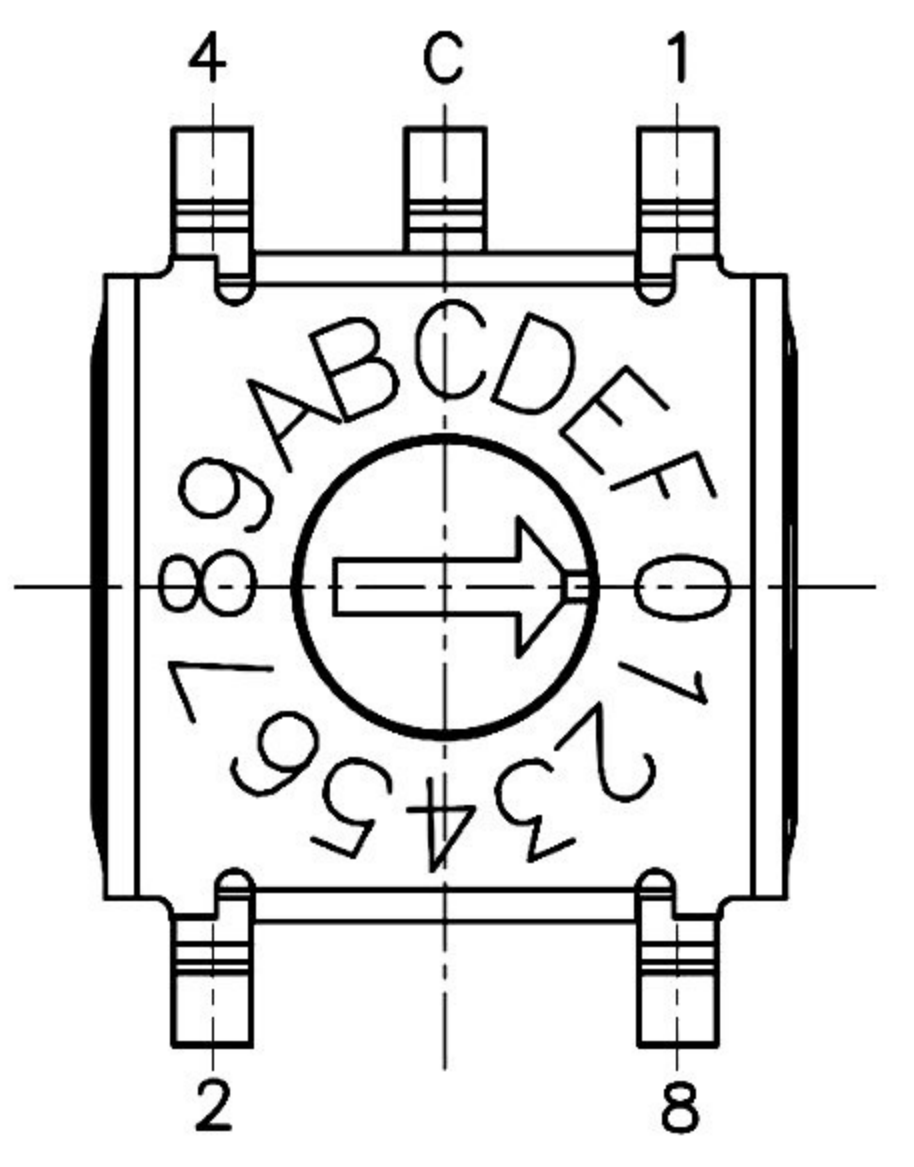
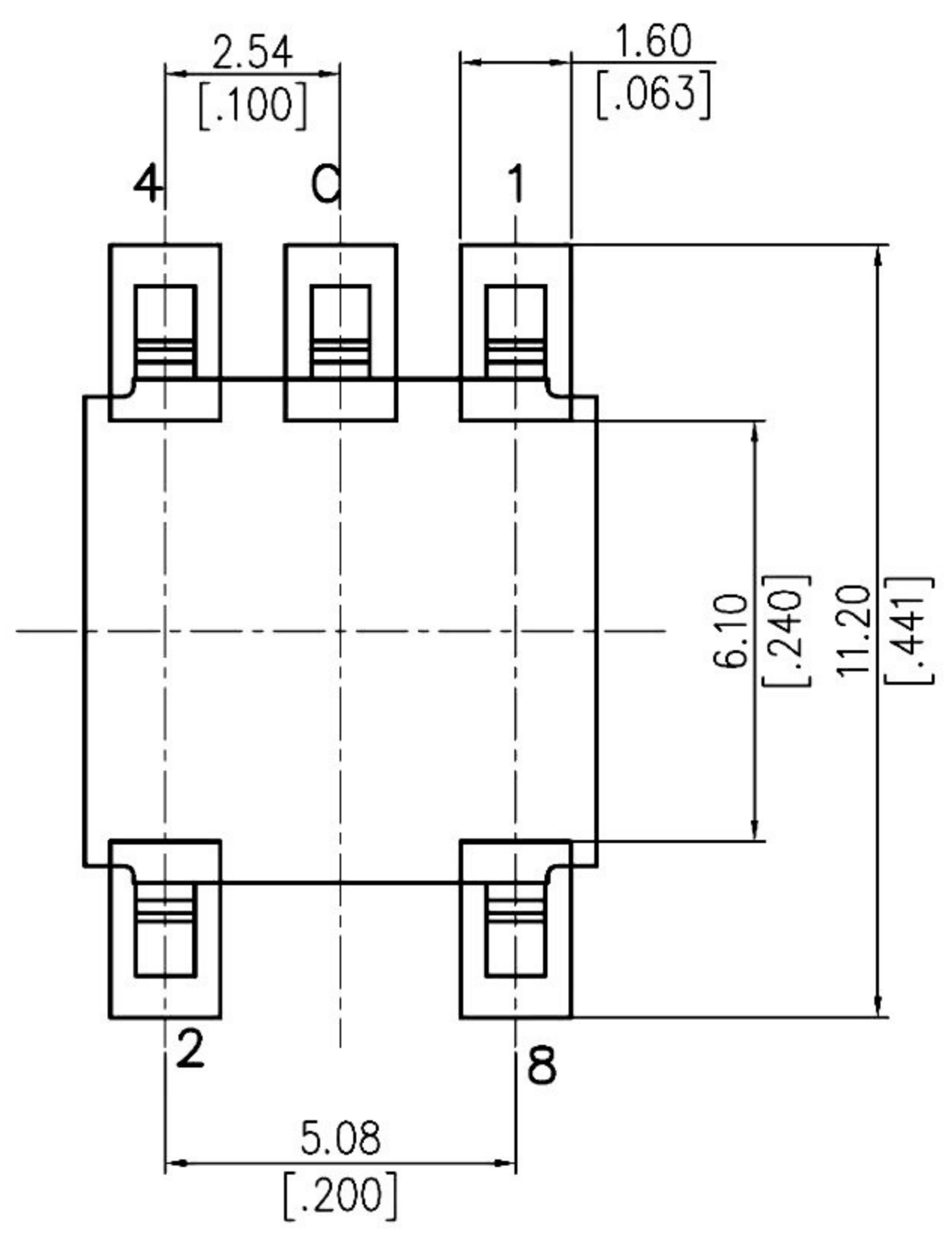


10 Steps
PN:C8951-05HAGWX0H



16 Steps
PN:C8951-05HBGWX0H

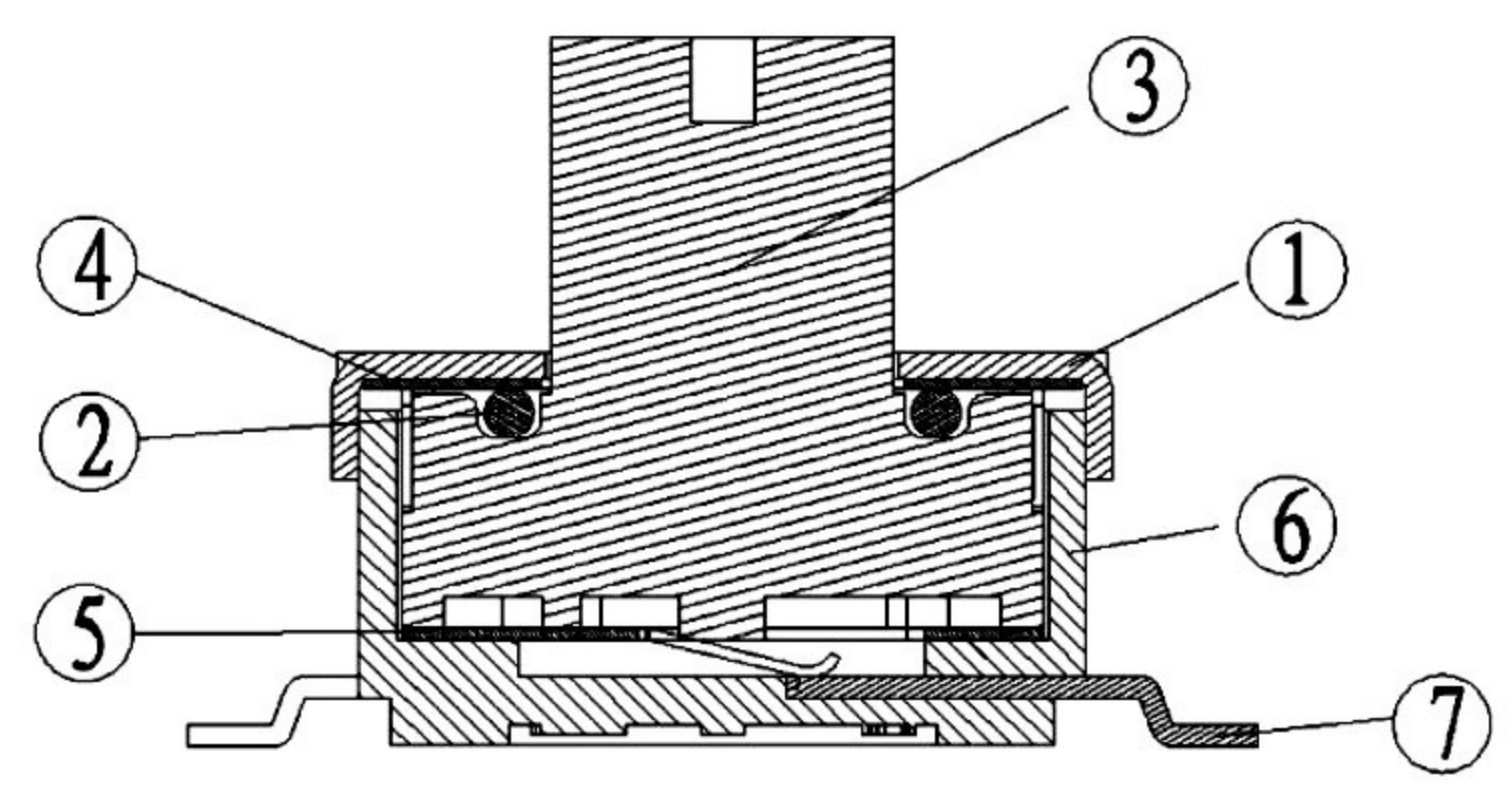
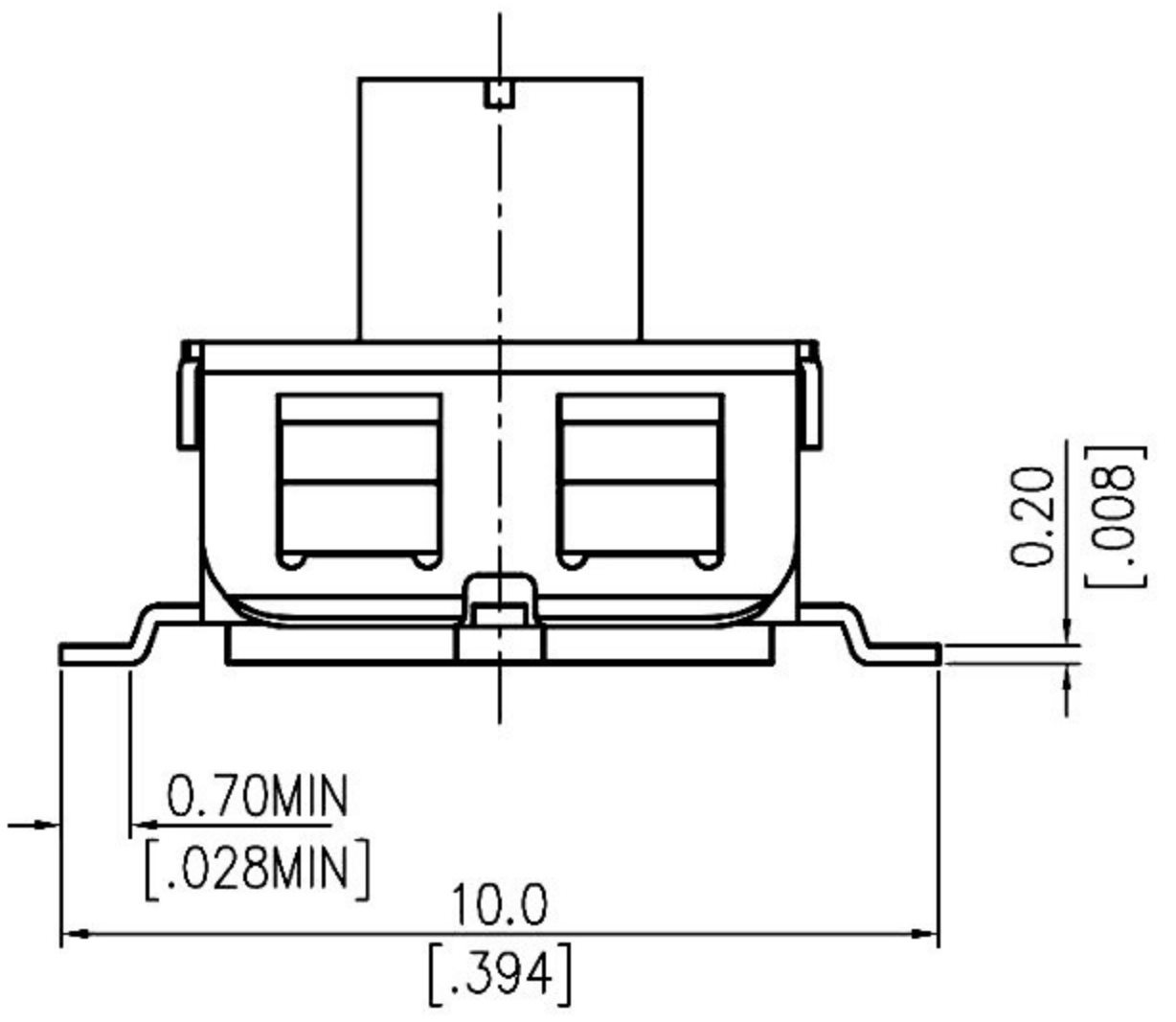
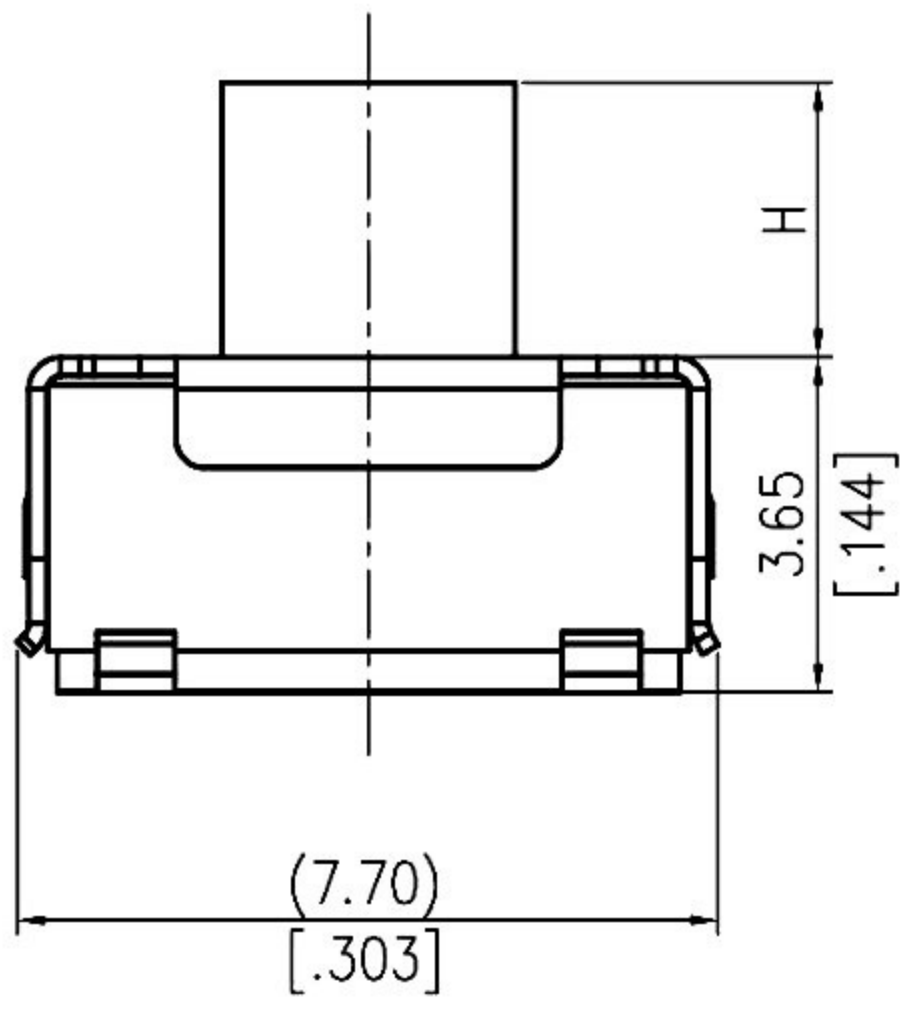


Note:

- All dimensions are in millimeters, bracketed dimension are in inches.
- General tolerances Max:±0.2mm[±0.008]

Specifications:

- Contact Rating:Gold: 100mA max 10μA min DC 30V
- Contact Resistance:100 mΩ max;150mΩ after life
- Operating Temperature:-40°C to 85 °C
- Storage Temperature:-40°C to 85 °C
- Electrical Life:2,000 Steps min



TYPE	POSITION □□R	CODE			
		1	2	4	8
10 STEP A	0	●	●	●	●
	1	○	●	●	●
	2	●	○	●	●
	3	○	○	●	●
	4	●	●	○	●
	5	○	●	○	●
	6	●	○	○	●
	7	○	○	○	●
	8	●	●	●	○
	9	○	●	●	○
16 STEP B	A	●	○	●	○
	B	○	○	●	○
	C	●	●	○	○
	D	○	●	○	○
	E	●	○	○	○
	F	○	○	○	○

CIRCUIT CHART

ITEM	DESC	Q'TY	MATERIALS	TREATMENT
1	COVER	1	STAINLESS STEEL	-
2	SEAL	1	SILICONE RUBBER	MOLDED RED
3	ACTUATOR	1	HIGH - TEMP THERMOPLASTIC LCP	MOLDED WHITE
4	SPRING PLATE	1	STAINLESS STEEL	-
5	CONTACT	1	ALLOY COPPER	GOLD PLATED
6	BASE	1	HIGH - TEMP THERMOPLASTIC LCP	MOLDED BLACK
7	TERMINAL	1	PHOSPHOR BRONZE	GOLD PLATED

RoHS Compliant

HSM 玄茂科技股份有限公司
HSUAN MAO TECHNOLOGY CO., LTD.

APPD. 核准 HELEN		TOLERANCE 容許公差 0 ± .00 ± ANG ±	PART NAME 品名 7mm X 7mm ROTARY CODED SWITCH SMT TYPE 10 STEPS OR 16 STEPS 3+2P H=0.0mm GOLD FLASH PLATING WHITE COLOR HALOGEN FREE ROHS
DWG. 製圖 ABBY	SCALE 比例 參考 UNIT 單位 MM	SIZE. 紙張尺寸 A4	
DATE 制表日 2018/12/03	PAGE 張數	REV. 版次 A	

PART NO. 料號 C8951-05HXGWX0H