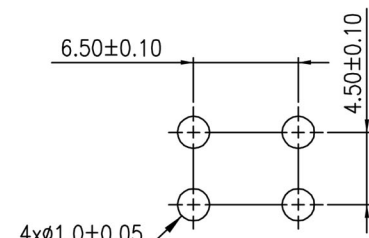


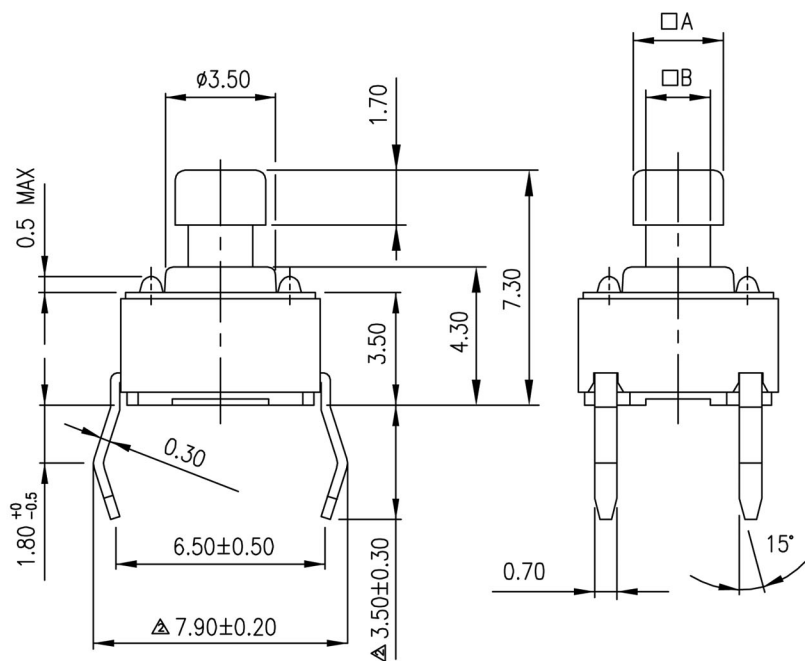
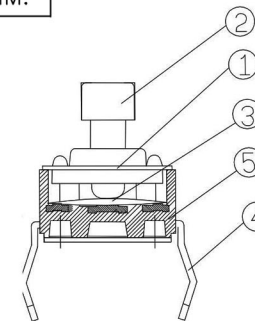
CIRCUIT DIAGRAM

C8740-FXXAB000R	□A	2.4	
	□B	1.6	
C8740-FXXBB000R	□A	2.8	
	□B	2.0	
PROD.	NO.	LOC.	MM.

DIMENSION



P.C.B. LAYOUT



NOTE:

1.GENERAL TOLERANCES MAX.±0.20mm.

ITEM	DESC	Q'TY	MATERIALS	TREATMENT
1.	COVER	1	STAINLESS STEEL	NONE
2.	STEM	1	HIGH - TEMP THERMOPLASTIC NYLON UL 94V-0	-
3.	CONTACT	1	PHOSPHOR BRONZE	WITH SILVER CLADDING
4.	TERMINAL	1	BRASS	WITH SILVER PLATING
5.	BASE	1	HIGH - TEMP THERMOPLASTIC NYLON UL 94V-0	MOLDED BLACK

RoHS Compliant

HSM 玄茂科技股份有限公司
HSUAN MAO TECHNOLOGY CO., LTD.

APPD. 核准
DWG. 製圖
DATE 制表日
2020/10/29

SCALE 比例 參考
UNIT 單位 MM
PAGE 張數 1 / 1

TOLERANCE 容許公差
.0 ±
.00 ±
ANG. ±

PART NAME 品名
TACT SWITCH THROUGH HOLE TYPE
PORD. SIZE:6X6MM KNOB HEIGHT:7.3MM
PITCH:6.5MM BAG PACKING ROHS

PART NO.
料號 C8740-FXXXB000R