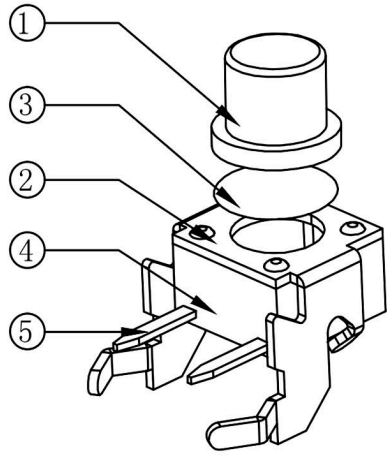
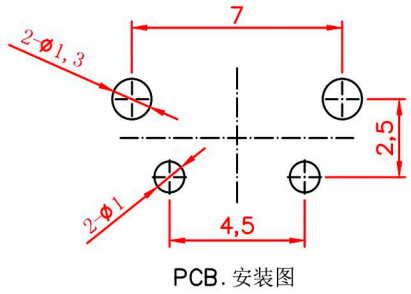
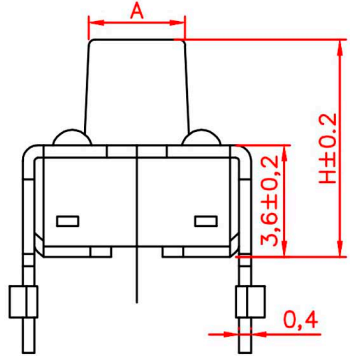


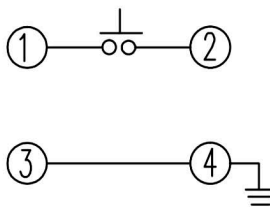
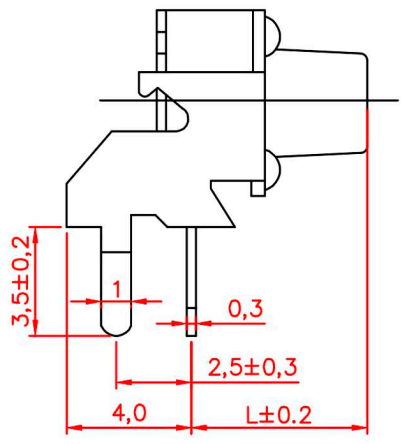
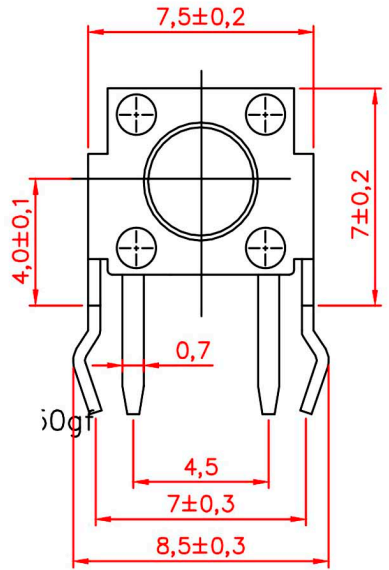
1 2 3 4 5 6 7 8

A
B
C
D
E
F
G
H

A
B
C
D
E
F
G
H



J	13.85	15.0	∅3.0
F	11.85	13.0	∅3.0
E	8.35	9.5	∅3.1
I	7.85	9.0	∅3.2
H	7.35	8.5	∅3.2
L	6.35	7.5	∅3.3
C	5.85	7.0	∅3.3
U	4.85	6.0	∅3.3
B	3.85	5.0	∅3.5
A	3.15	4.3	∅3.5
Code	長度 L(mm)	高度 H(mm)	直徑 A(mm)



Circuit diagram

規格 Specification

- 1.使用溫度 Temperature: -40°C ~ +85°C
- 2.額定值 Rated value: 50mA DC12V
- 3.接觸電阻 Contact resistance: ≤50mΩ
- 4.操作力 Operating force: 160gf±50gf or 250gf±50gf
- 5.行程 Travel: 0.25mm±0.1mm
- 6.絕緣電阻 Insulation resistance: ≥100MΩ
- 7.抗電強度 Dielectric strength: 250V 50HZ 1Min.
- 8.壽命 Life Test : 100,000 Cycles

5	Terminal	Brass	1	Ag plating
4	Housing	PPA	1	Black color
3	Contact form	Stainless steel	1	Ag plating
2	Cover	Cold rolled steel	1	Sn plating
1	Stem	PPA	1	Black color
NO.	Name	Material	Q'ty	Remarks

RoHS Compliant	HSM 玄茂科技股份有限公司 HSUAN MAO TECHNOLOGY CO., LTD.		
	APPD. 核准	SCALE 比例 參考	TOLERANCE >0.5-2 ±0.10 >2-5 ±0.25 >5-10 ±0.30 Ang. ±0.5°
DWG. 製圖 Betty	UNIT 單位 M M	SIZE. 紙張尺寸 A 4	PART NAME 品名 TACT SWITCH RIGHT ANGLET TYPE PORD. SIZE:6.0X6.0mm BLACK COLOR BAG PACKING ROHS
DATE 制表日 2020/08/18	PAGE 張數 1 OF 1	REV. 版次 A	PART NO. 料號 C8738-XXBB0000R

1 2 3 4 5 6 7 8