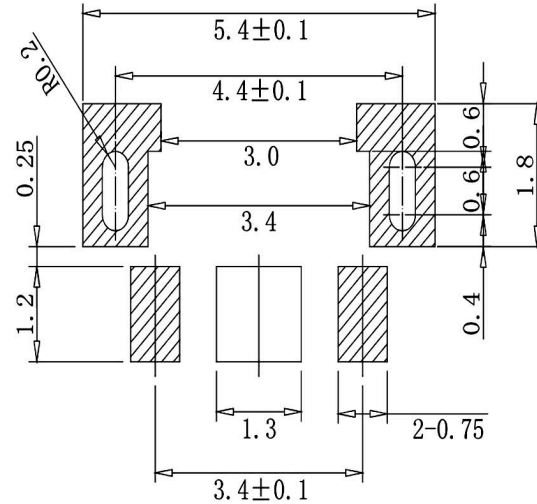
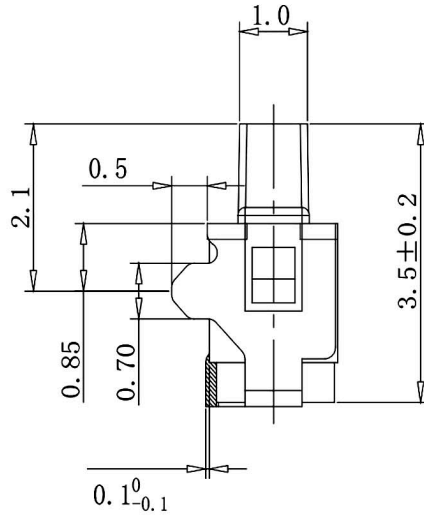
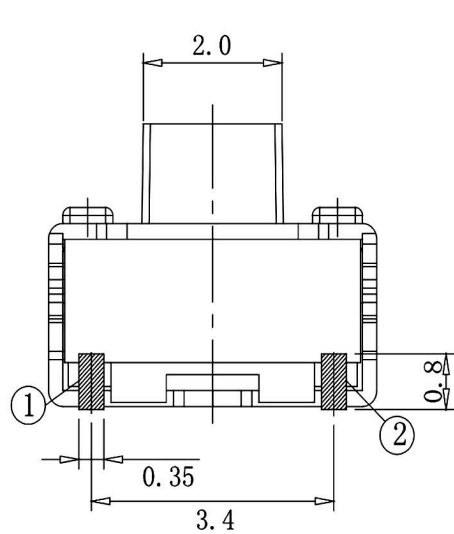
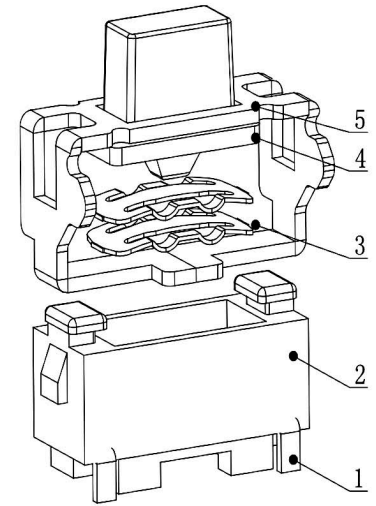


CIRCUIT DIAGRAM



P. C. B LAND DIMENSION



5	COVER (盖板)	1	PHOSPHOR BRONZE	Ag plating
4	STEM (按钮)	1	LCP	BLACK
3	CONTACT FORM (弹片)	2	SUS301	Ag plating
2	HOUSING (基座)	1	LCP	BLACK
1	TERMINAL (端子)	1	PHOSPHOR BRONZE	Ag plating
NO (序号)	PART NAME (部件名)	QTY (数量)	MATERIAL (材料)	REMARK (备注)

SPECIFICATION

1. Rating: DC 12V 50mA Max
2. Contact resistance: 100mΩ MAX
3. Insulation resistance: 100MΩ Min
4. Dielectric strength: 250VAC/min
5. Operating force: 180gf±30gf
6. Operating life: 50,000 cycles

RoHS Compliant		HSM 玄茂科技股份有限公司 HSUAN MAO TECHNOLOGY CO., LTD.	
APPD. 核准		UNSPECIFIED TOLERANCE 未指定的公差	PART NAME 品名
DWG. 製圖	Betty	SCALE 比例 參考	1.7X4.5mm TACT SWITCH SIDE PUSH TYPE
DATE 制表日	2020/09/30	UNIT 單位 M M	SEALED TYPE KONT HEIGHT: 2.05mm
		PAGE 張數 1 OF 1	OPERATING FORCE: 180gf BUTTON COLOR: BLACK
			COLOR REEL PACKING ROHS
			PART NO. C8733-B3BR0000R
			料號