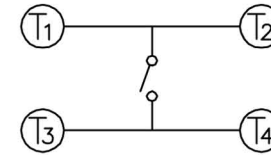
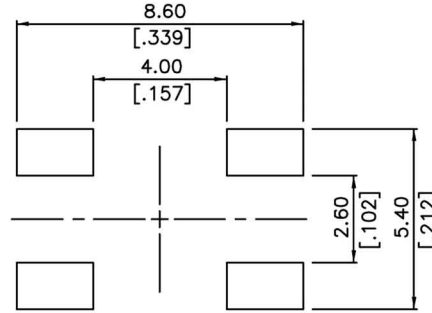
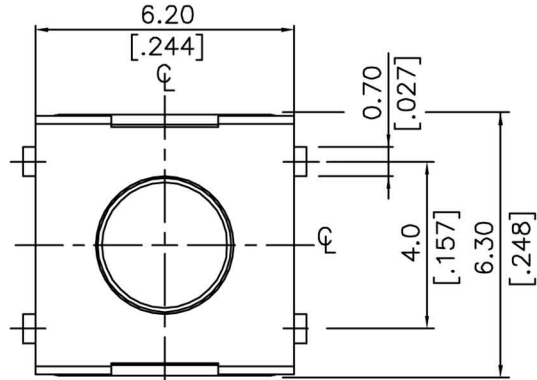
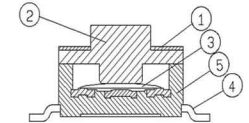


**NOTE:**

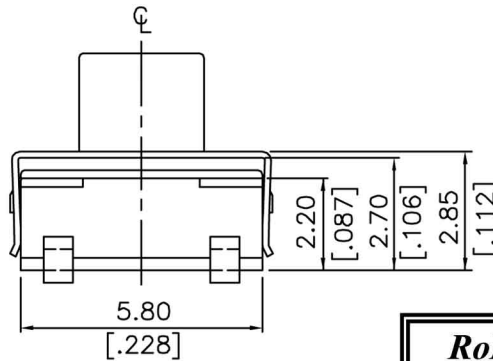
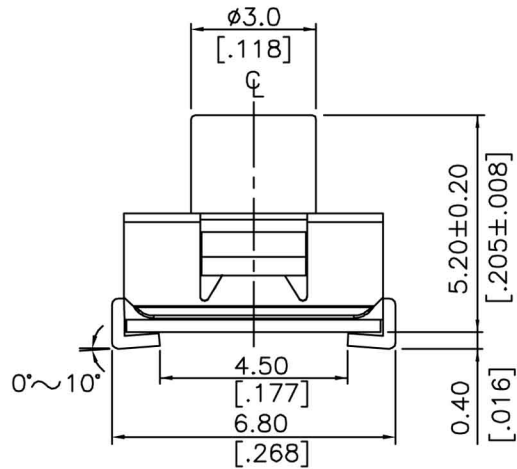
1. ALL DIMENSIONS ARE IN MILLIMETERS, BRACKETED DIMENSIONS ARE IN INCHES.
2. GENERAL TOLERANCES MAX.±0.20mm.



**CIRCUIT DIAGRAM**



**P.C.B. LAYOUT SCALE 8:1**



ITEM	DESC.	Q'TY	MATERIALS	TREATMENT
1.	COVER	1	STAINLESS STEEL	NONE
2.	SEALED RUBBER	1	SILICONE RUBBER	NONE
3.	CONTACT	1	STAINLESS STEEL	WITH SILVER CLADDING
4.	TERMINAL	1	BRASS	WITH SILVER PLATING
5.	BASE	1	HIGH - TEMP THERMOPLASTIC NYLON UL 94V-0	MOLDED BLACK

<p><b>RoHS Compliant</b></p>	<p><b>HSM 玄茂科技股份有限公司</b> <b>HSUAN MAO TECHNOLOGY CO., LTD.</b></p>		
	<p>APPD. 核准</p> <p>DWG. 製圖 <b>Hedy</b></p> <p>DATE 制表日 2019/01/25</p>	<p>SCALE 比例 參考</p> <p>UNIT 單位 MM</p> <p>PAGE 張數 1 / 1</p>	<p>TOLERANCE 容許公差 .0 ± .00 ± ANG. ±</p> <p>SIZE. 紙張尺寸 A 4</p> <p>REV. 版次 A</p>