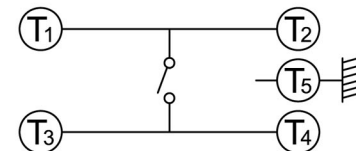
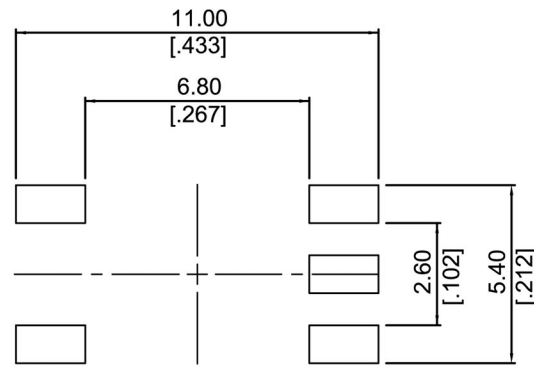
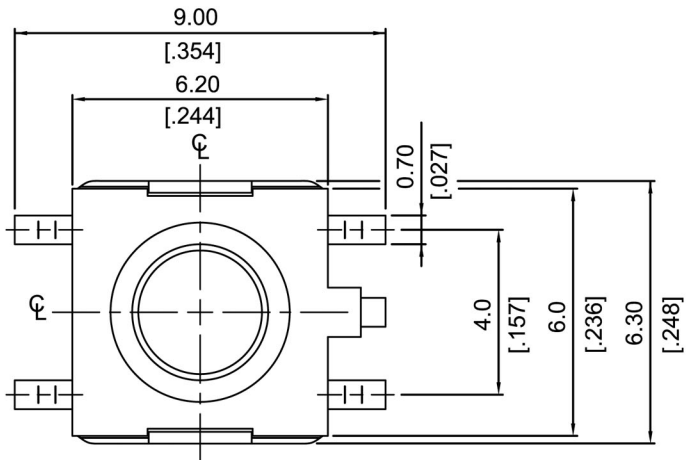


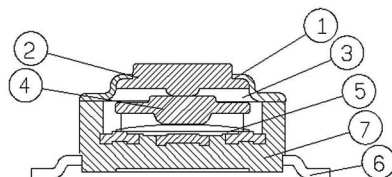
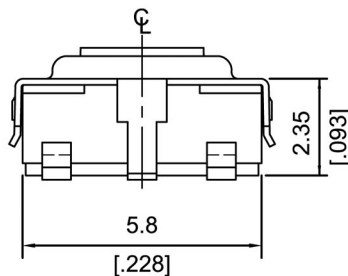
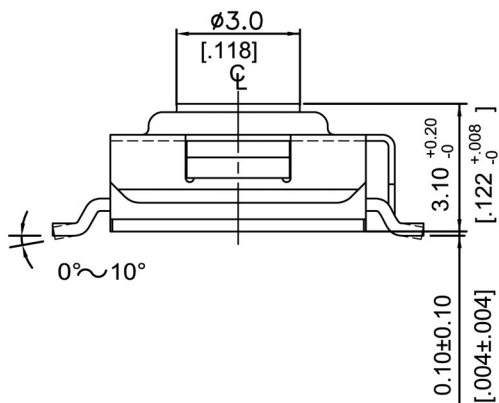
NOTE:

1. ALL DIMENSIONS ARE IN MILLIMETERS, BRACKETED DIMENSIONS ARE IN INCHES.
2. GENERAL TOLERANCES MAX.±0.20mm.



CIRCUIT DIAGRAM

P.C.B. LAYOUT



ITEM	DESC.	Q'TY	MATERIALS	TREATMENT
1.	COVER	1	STAINLESS STEEL DTSGMW= NICKEL SILVER	NONE
2.	STEM	1	HIGH - TEMP THERMOPLASTIC NYLON UL 94V-0	→
3.	ADHESIVE TAPE	1	KAPTON	NONE
4.	METAL STEM	1	BRASS	NICKEL PLATED
5.	CONTACT	1	STAINLESS STEEL	WITH SILVER CLADDING
6.	TERMINAL	1	BRASS	WITH SILVER PLATING
7.	BASE	1	HIGH-TEMP THERMOPLASTIC NYLON UL 94V-0	MOLDED BLACK

RoHS Compliant **HSM 玄茂科技股份有限公司**
HSUAN MAO TECHNOLOGY CO., LTD.

APPD. 核准	SCALE 比例	TOLERANCE 容許公差	PART NAME 品名 6.2X6.3mm WASHABLE TYPE TACT SWITCH SMT TYPE WITH GROUND PIN KONB HEIGHT:3.1mm OPERATING FORCE:XXXgf ROHS
DWG. 製圖	UNIT 單位	SIZE. 紙張尺寸	
DATE 制表日 2019/01/22	PAGE 張數	REV. 版次	PART NO. 料號
Hedy	MM	A 4	C8727-AXXYX000R
	1 / 1	A	