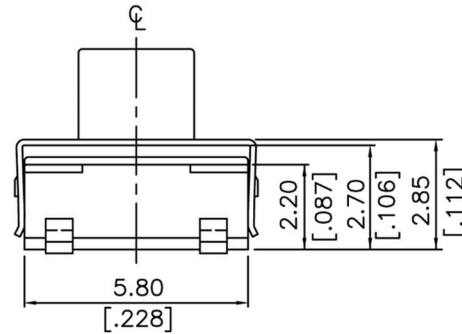
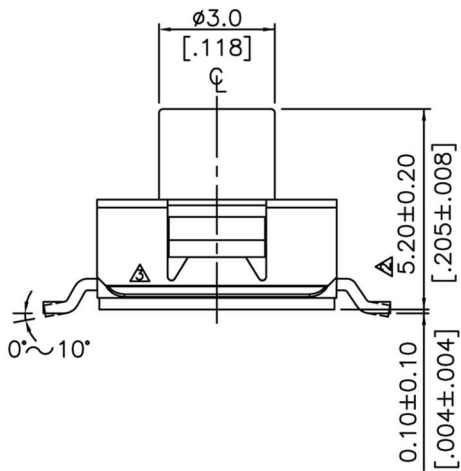
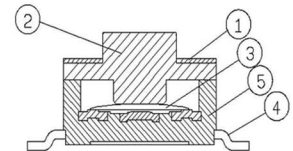


P.C.B. LAYOUT

CIRCUIT DIAGRAM



| ITEM | DESC.         | Q'TY | MATERIALS                                | TREATMENT            |
|------|---------------|------|--|----------------------|
| 1.   | COVER         | 1    | STAINLESS STEEL                          | NONE                 |
| 2.   | SEALED RUBBER | 1    | SILICONE RUBBER                          | NONE                 |
| 3.   | CONTACT       | 1    | STAINLESS STEEL                          | WITH SILVER CLADDING |
| 4.   | TERMINAL      | 1    | BRASS                                    | WITH SILVER PLATING  |
| 5.   | BASE          | 1    | HIGH - TEMP THERMOPLASTIC NYLON UL 94V-0 | MOLDED BLACK         |

**NOTE:**

1. ALL DIMENSIONS ARE IN MILLIMETERS, BRACKETED DIMENSIONS ARE IN INCHES.
2. GENERAL TOLERANCES MAX. ± 0.20mm.

|   |  |  |
|---|--|--|
| <b>RoHS Compliant</b>   | <b>HSM 玄茂科技股份有限公司</b><br><b>HSUAN MAO TECHNOLOGY CO., LTD.</b> |  |
|   | APPD. 核准<br>DWG. 製圖<br>DATE 制表日<br>2019/01/28                  | SCALE 比例<br>Hedy<br>UNIT 單位<br>M M<br>PAGE 張數<br>1 / 1 |
| PART NAME 品名<br>6.2X6.3mm WASHABLE TYPE<br>TACT SWITCH SMT TYPE KONB HEIGHT:5.2mm<br>OPERATING FORCE:XXXgf ROHS |  | PART NO.<br>料號 C8723-EXXX0000R                         |