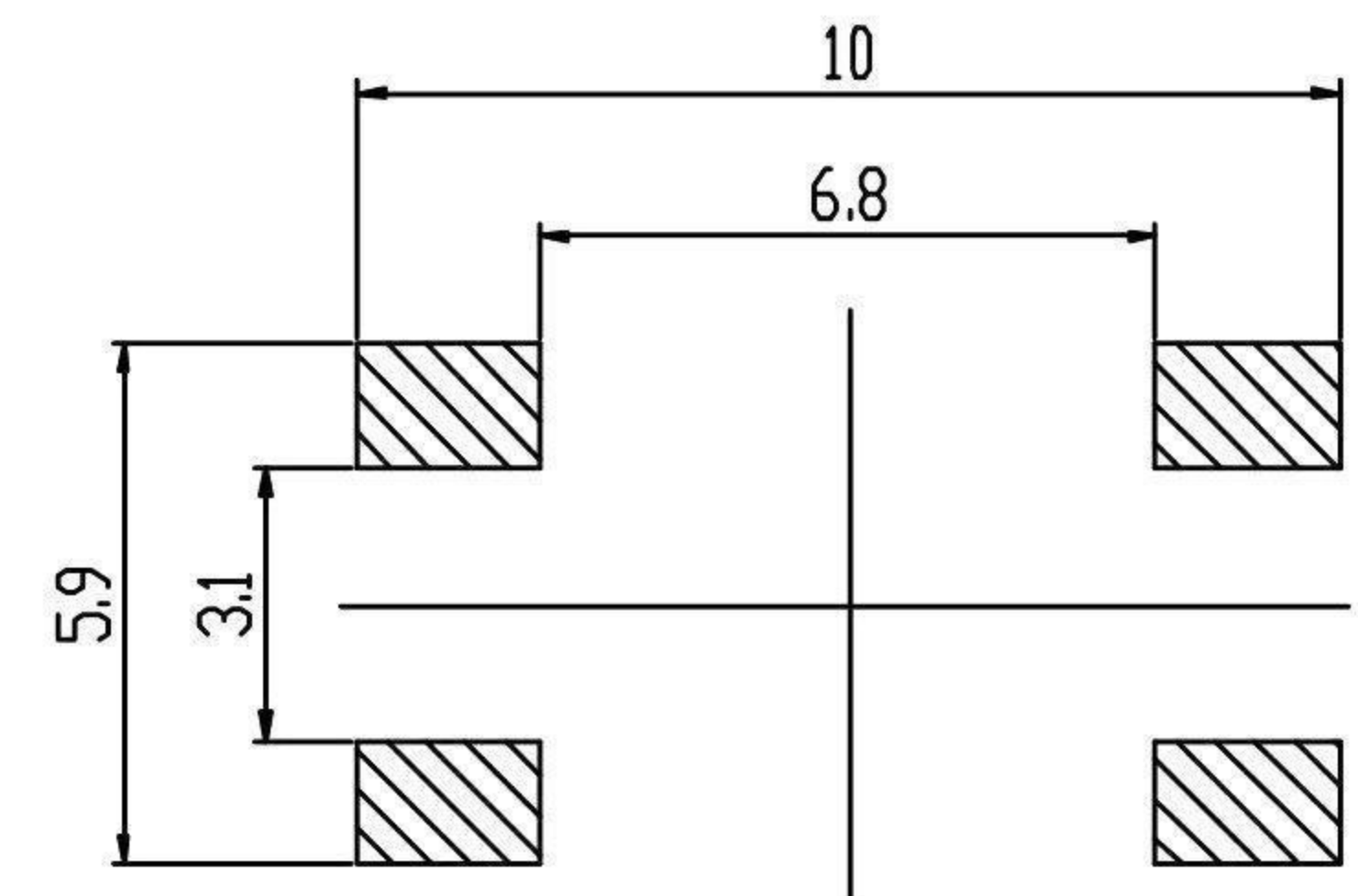


Travel : 0.25±0.1mm

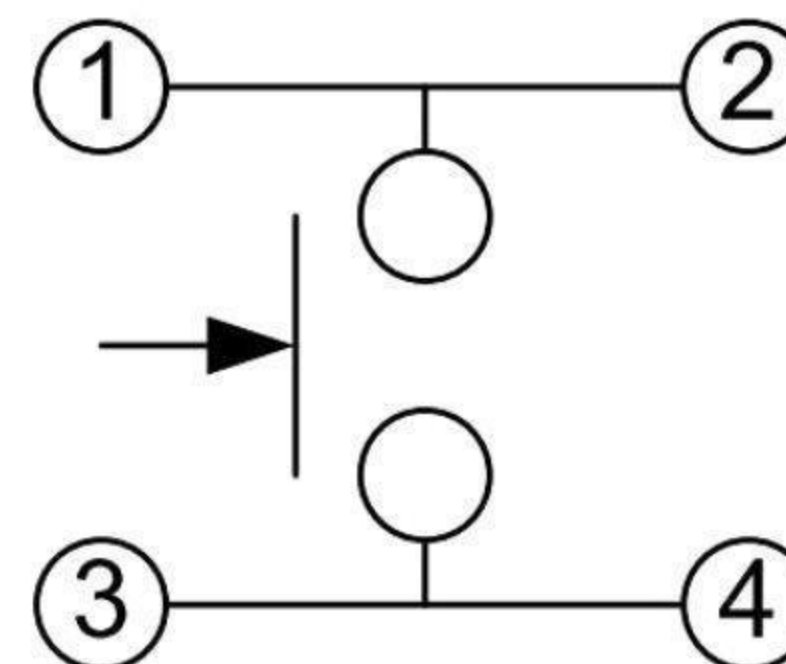
General specifications

Circuit : PUSH ON
 Rating : D.C. 12V 50mA
 Contact R.[max] : 50mΩ (initial)
 Insulation R.[min] : D.C. 100V 100MΩ
 Withstand VOL. : A.C. 250V 1minute
 Operating force : 250±50g
 Operation life : 80,000 CYCLES

P.C.B. LAYOUT

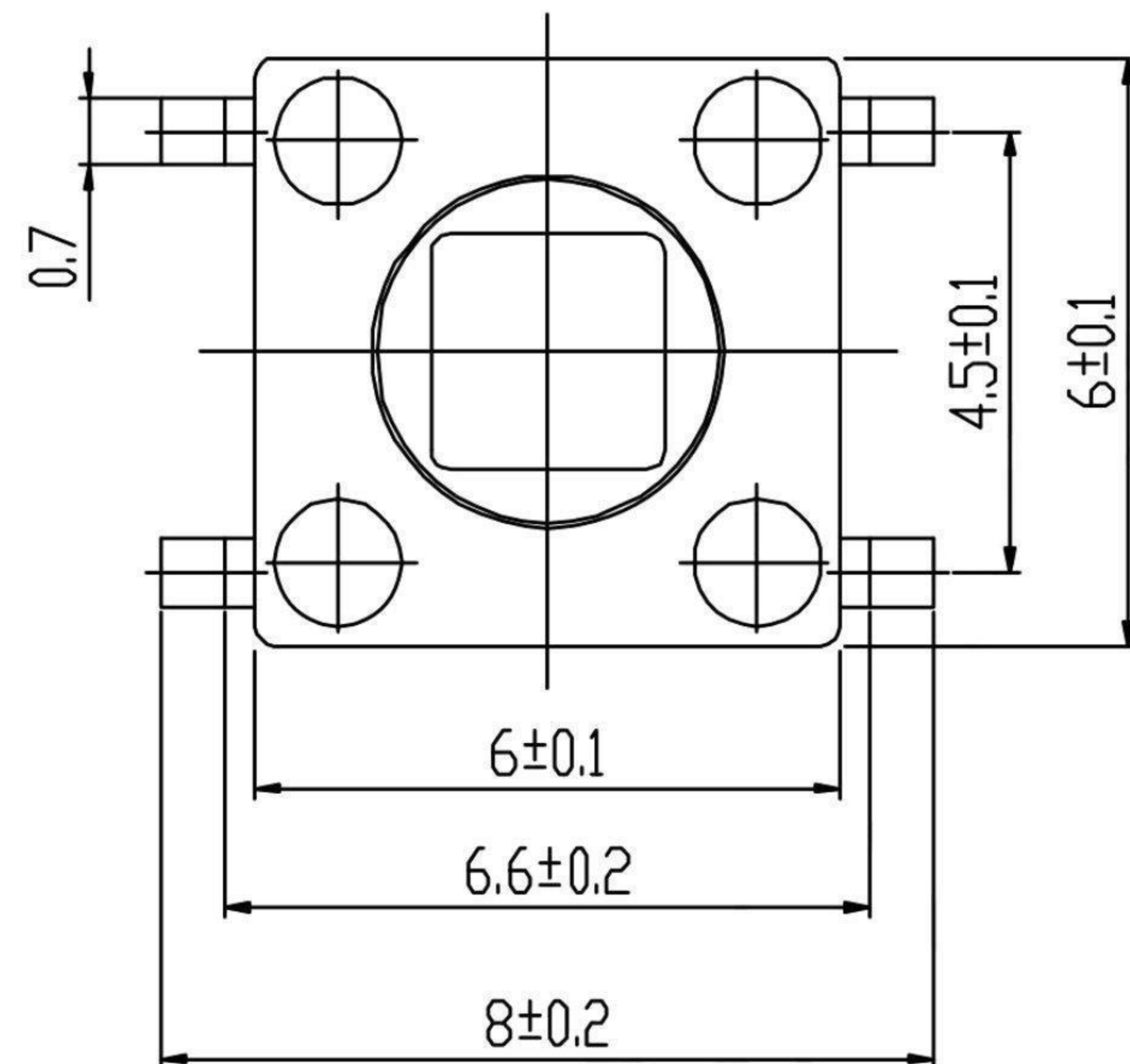
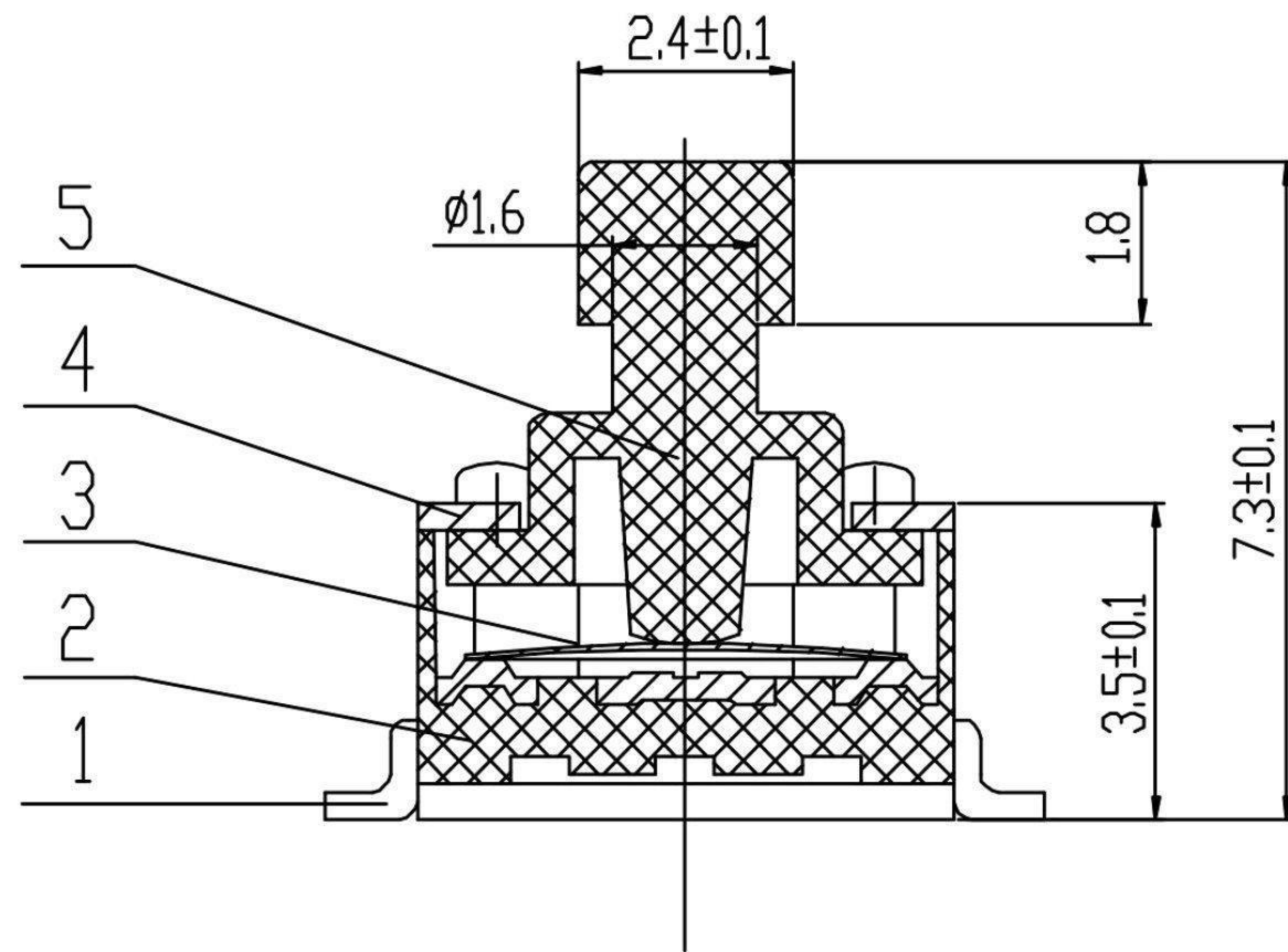


SCHMATIC



MATERIAL SPECIFICATIONS

ITEM	PART NAME	MATERIAL	QTY	FINISH
1	TERMINAL	Brass	2	Silver Plating
2	CASE	FR52	1	Black
3	CONTACT	Phosphor bronze	1	Contact Side Silver Plating
4	COVER	SPCC-SD	1	CuSn Plated
5	STEM	FR52	1	N/A



SCALE	N/A
DIMENSION	m m
DO NOT SCALE DRAWING	
TOLERANCES UNLESS OTHERWISE	
UP TO 10	±0.3
ABOVE 10 TO 100	±0.5
ABOVE 100	±0.8
ANGULAR DIMENSIONS	±5°

RoHS
Compliant

APPD.
核准 BETTY

DWG.
製圖 KAREN

DATE 制表日
2014/07/22



SCALE
比例 參考

UNIT
單位 M M

PAGE
張數 1 OF 1

TOLERANCE
容許公差

.0 ±

.00 ±

ANG ±

SIZE.
紙張尺寸 A 4

REV.
版次 A

HSM 玄茂科技股份有限公司
HSUAN MAO TECHNOLOGY CO., LTD.

PART NAME 品名
TACT SWITCH SMT TYPE PORD. SIZE:6X6mm
KNOB:SQUARE TYPE
KONB HEIGHT : 7.3mm PITCH:8mm
OPERATING FORCE:250g BLACK COLOR ROHS

PART NO.
料號 C8705-FACBX000R