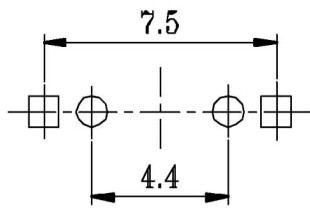
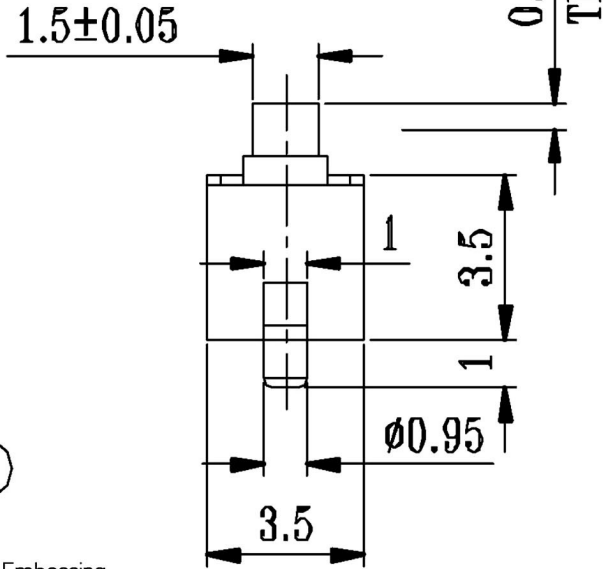
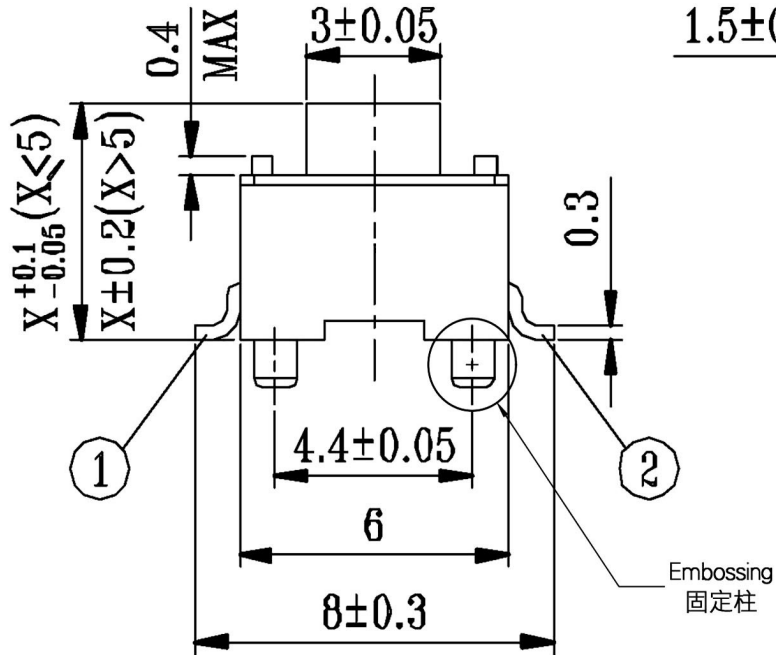


KNOB(L)

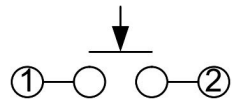
X=4.3 mm (FOR BUTTON COLOR:BLACK)

X=5 mm (FOR BUTTON COLOR:WHITE)



LAYOUT

SCHEMATIC



General specifications	
Circuit	: PUSH ON
Rating	: D.C. 12V 50mA
Contact R.[max]	: 100mΩ (initial)
Insulation R.[min]	: D.C. 500V 100MΩ
Withstand VOL.	: A.C. 250V 1minute
Operating force	: 180gf or 250gf
Life cycle[max]	: 1,000,000 CYCLES

RoHS Compliant		HSM 玄茂科技股份有限公司 HSUAN MAO TECHNOLOGY CO., LTD.	
APPD. 核准	SCALE 比例 参考	DO NOT SCALE DRAWING TOLERANCES UNLESS OTHERWISE UP TO 10 ±0.3 ABOVE 10 TO 100 ±0.5 ABOVE 100 ±0.8 ANGULAR DIMENSIONS ±5°	PART NAME 品名 3.5mm X 6.0mm TACT SWITCH S.M.T TYPE WITH LOCATING PEG REEL PACKING ROHS
DWG. 製圖 Betty	UNIT 單位 MM	SIZE 紙張尺寸 A 4	PART NO. 料號 C8704-XXYXR000R
DATE 制表日 2020/01/14	PAGE 張數 1 OF 1	REV. 版次 A	