

1 2 3 4 5 6 7 8

A

B

C

D

E

F

G

H

A

B

C

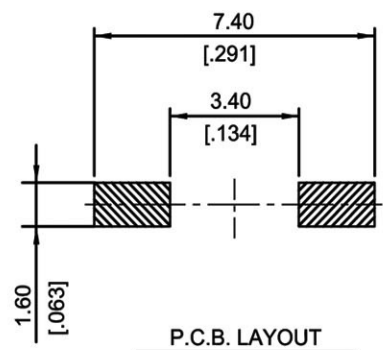
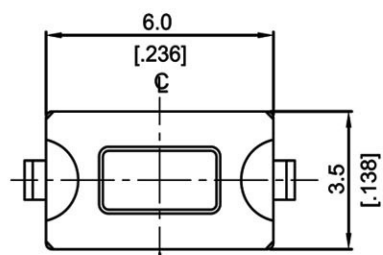
D

E

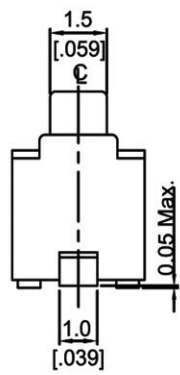
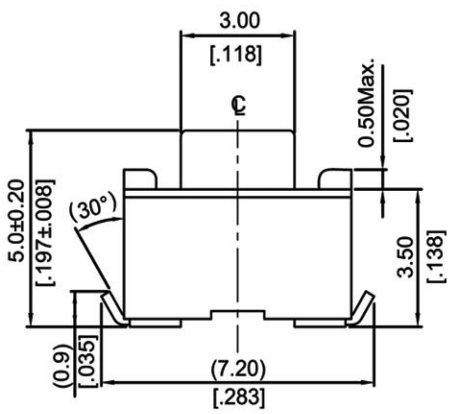
F

G

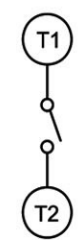
H



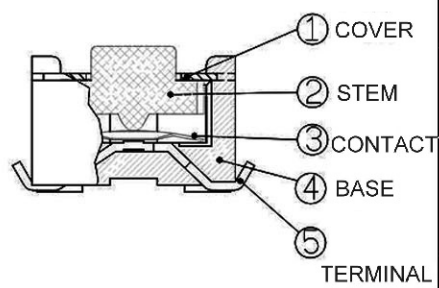
P.C.B. LAYOUT



ITEM	DESC.	Q'TY	MATERIALS	TREATMENT	REMARK
1.	COVER	1	STAINLESS STEEL	NONE	-
2.	STEM	1	HIGH - TEMP THERMOPLASTIC NYLON UL 94V-0	→	-
3.	CONTACT	1	STAINLESS STEEL	WITH SILVER CLADDING	-
4.	BASE	1	HIGH - TEMP THERMOPLASTIC NYLON UL 94V-0	MOLDED BLACK	-
5.	TERMINAL	1	BRASS	WITH SILVER PLATING	-



CIRCUIT DIAGRAM



5.0 [0.197]	YELLOW 520g
	SALMON 320g
	RED 260g
4.3 [0.169]	BROWN 160g
	BLACK 125g
	YELLOW 520g
H	SALMON 320g
	RED 260g
	BROWN 160g
BLACK 125g	
COLOR FOR OPERATING FORCE	

NOTE:

- ALL DIMENSIONS ARE IN MILLIMETERS, BRACKETED DIMENSIONS ARE IN INCHES.
- GENERAL TOLERANCES MAX.±0.20mm.

C 8703 - A B N T 0 0 0 0 R

- | | | | |
|---------------------------------------|-----------------------------------------------------------------|-------------------------------------|--------------------|
| 1. PRODUCTS:
C:Connector | 4. OPERATING FORCE:
B:160gf
C:260gf
D:320gf
E:520gf | 6. PACKING STYLE:
T:Tube Packing | 8. FILL IT WITH*0" |
| 2. SERIES NO.:
8703 | 5. BUTTON COLOR:
N:Brown
Y:Yellow
R:Red | 7. FILL IT WITH*0" | 9. FILL IT WITH*0" |
| 3. KNOB HEIGHT(mm):
A:4.3
B:5.0 | | 10. FILL IT WITH*0" | 11. R:ROHS |

RoHS Compliant

HSM 玄茂科技股份有限公司
HSUAN MAO TECHNOLOGY CO., LTD.

APPD. 核准 BETTY	SCALE 比例 参考	TOLERANCE 容許公差 0.0 ± 0.0 ± ANG. ±	PART NAME 品名 3.5X6.0mm TACT SWITCH BEND OUTWARD TYPE KONB HEIGHT : 4.3mm TUBE PACKING ROHS
DWG. 製圖 KAREN	UNIT 單位 MM	SIZE 紙張尺寸 A 4	PART NO. 料號 C8703-XXXT0000R
DATE 制表日 2013/06/24	PAGE 張數 1 OF 1	REV. 版本 A	

1 2 3 4 5 6 7 8