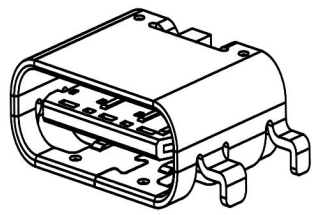
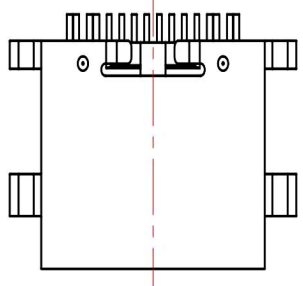


1 2 3 4 5 6 7 8

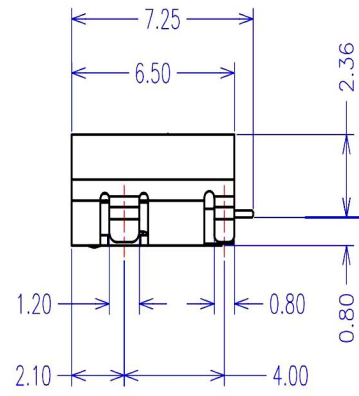
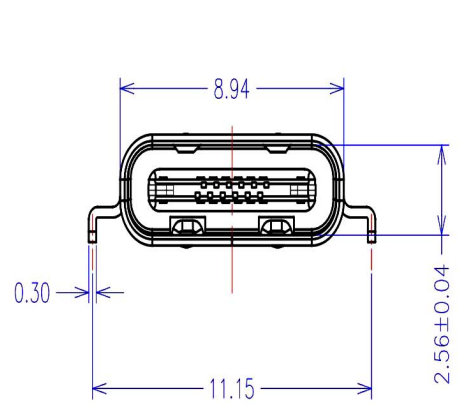
A  
B  
C  
D  
E  
F  
G  
H

A  
B  
C  
D  
E  
F  
G  
H

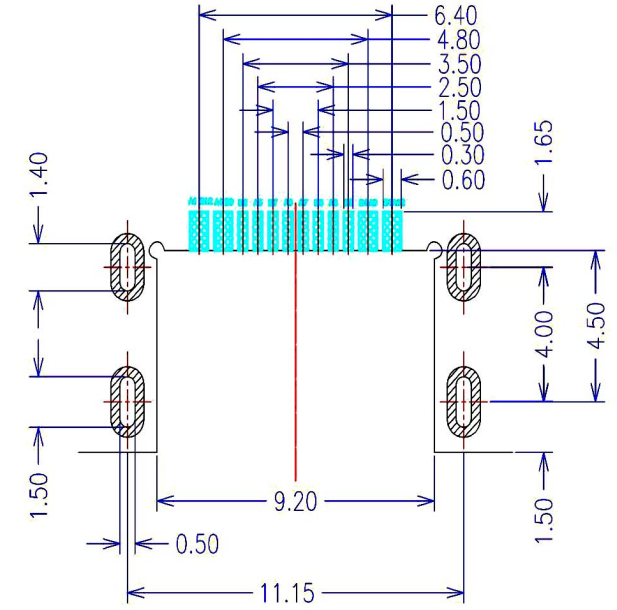
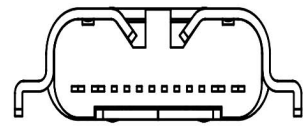


SPECIFICATION

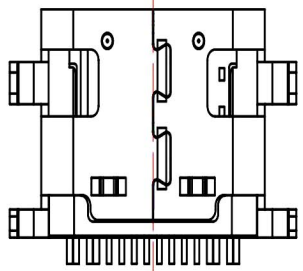
1. ELECTRICAL CHARACTERISTICS:
  - 1-1. VOLTAGE&CURRENT RATING:DC 30V MAX&3A
  - 1-2. CONTACT RESISTANCE: 40mΩ MAX INITIAL.
  - 1-3. INSULATION RESISTANCE: 1000MΩ MIN FOR VOLTAGE 100VDC.
  - 1-4. DIELECTRIC WITHSTAND: 100V AC for 1 MINUTE
  - 1-5. OPERATING TEMPERATURE: -25°C~+85°C
2. MECHANICAL CHARACTERISTICS:
  - 2-1. INSERT FORCE: 5-20N Max
  - 2-2. WITHDRAW FORCE: 5-20N Min
  - 2-3. LIFE TEST :3,000 CYCLES



0.10Max.



RECOMMENDED P.C.B. LAYOUT  
TOLERANCE UNSPECIFIED ±0.05mm



A5	CC1	B12	GND
A9	VBUS	B9	VBUS
A12	GND	B5	CC2
PIN	SIGNAL NAME	PIN	SIGNAL NAME

RoHS Compliant		<b>HSM</b> 玄茂科技股份有限公司 HSUAN MAO TECHNOLOGY CO., LTD.	
APPD. 核准	SCALE 比例 參考	TOLERANCE UNSPECIFIED X.X ±0.30 X.XX ±0.15 X.XXX ±0.10 X" ±5° X.X" ±2°	PART NAME 品名 USB Connector Type-C 16PIN Female Offset Type H=0.8mm,L=6.5mm Shell Foot:Dip Type*4,Pin:SMT Type Black Color Material:LCP Reel Packing ROHS
DWG. 製圖	UNIT 單位 M M	SIZE. 紙張尺寸 A 4	PART NO. 料號 C8662-16CFNAXBRR
DATE 制表日 2020/05/19	PAGE 張數 1 OF 1	REV. 版次 A	

1 2 3 4 5 6 7 8