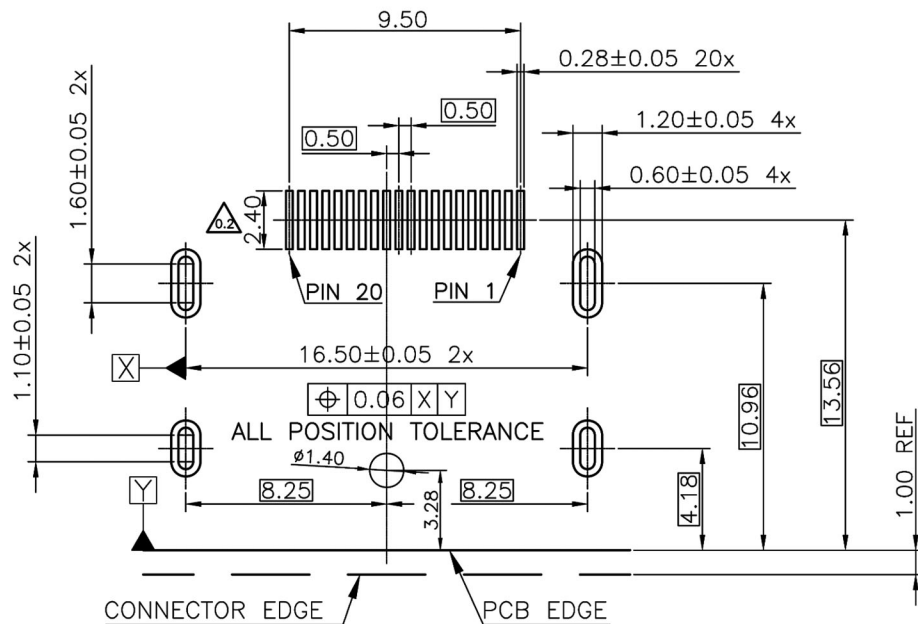


| | | | |
|-------|-----------------------|---------|------|
| 1 | THERMOPLASTIC UL94V-0 | COVER | ④ |
| 20 | COPPER ALLOY | CONTACT | ③ |
| 1 | THERMOPLASTIC UL94V-0 | HOUSING | ② |
| 1 | COPPER ALLOY | SHELL | ① |
| QTY'S | SPECIFICATION | PART | ITEM |

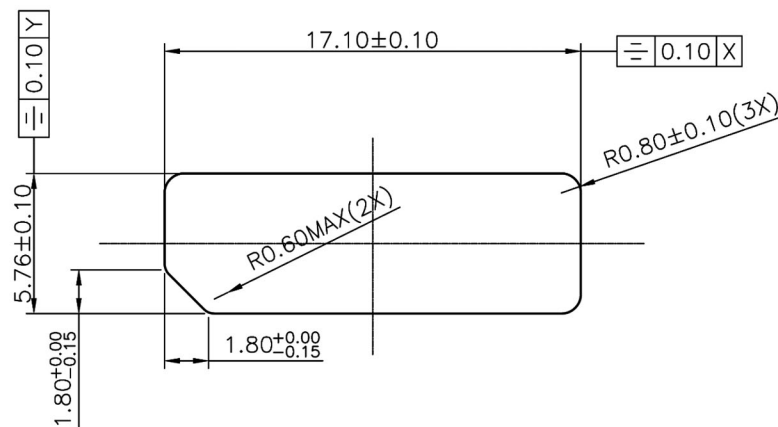
RoHS Compliant **HSM 玄茂科技股份有限公司**
HSUAN MAO TECHNOLOGY CO., LTD.

| | | | |
|-------------|-------------|---|---|
| APPD. 核准 | SCALE 比例 | TOLERANCE UNSPECIFIED: | PART NAME 品名 |
| DWG. 製圖 | UNIT 單位 | .000 ± 0.15 .0 ± 0.20 .0 ± 0.25 ANGLE ± 2° | DISPLAYPORT RIGHT ANGLE SMT TYPE 20P FEMALE WITHOUT FLANGE WITHOUT RIB WITH POST NICKEL SHELL SELECTIVE GOLD MYLAR+REEL PACKING ROHS |
| DATE 制表日 | PAGE 張數 | SIZE 紙張尺寸 | PART NO. 料號 |
| 2016/01/28 | 1 / 1 | A 4 A | C8601-20FBNSBFR |

Hedy



RECOMMENDED P.C.B. LAYOUT (THICKNESS=1.60mm)
TOLERANCE UNSPECIFIED ±0.05mm



REFERENCE PANEL CUT OUT DIMENSIONS

SPECIFICATIONS:

1. MECHANICAL :
 - 1.1 INSERTION FORCE :44.1 N MAX
 - 1.2 WITHDRAWAL FORCE :9.8 N MIN.
AFTER 10,000 CYCLES MATING: 0.5kgf MIN.
2. ELECTRICAL :
 - 2.1 CONTACT CURRENT RATING: 0.5A MIN.
 - 2.2 VOLTAGE RATING :40V AC (rms)
 - 2.3 WITHSTANDING VOLTAGE: 500 VAC FOR 1 MINUTE.
INSULATION RESISTANCE: 100 MEGAOHMS MIN.
 - 2.4 CONTACT RESISTANCE: 30 MILLIOHMS MAX.
3. ENVIRONMENTAL :
 - 3.1 OPERATING TEMPERATURE:-25°C TO +85°C

| | | | |
|-----------------------|---------|--|---|
| RoHS Compliant | | HSM 玄茂科技股份有限公司 HSUAN MAO TECHNOLOGY CO., LTD. | |
| APPD. 核准 | | TOLERANCE UNSPECIFIED: | PART NAME 品名 DISPLAYPORT RIGHT ANGLE SMT TYPE 20P FEMALE WITHOUT FLANGE WITHOUT RIB WITH POST NICKEL SHELL SELECTIVE GOLD MYLAR+REEL PACKING ROHS |
| DWG. 製圖 | | SCALE 比例 | |
| DATE 制表日 | UNIT 單位 | PAGE 張數 | REV. 版次 |
| 2016/01/28 | MM | 1 / 1 | A |
| Hedy | | PART NO. 料號 C8601-20FBNSBFR | |