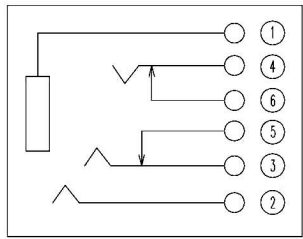
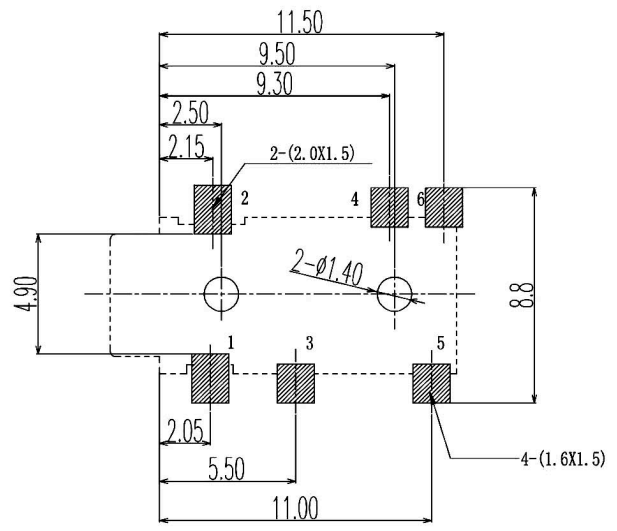


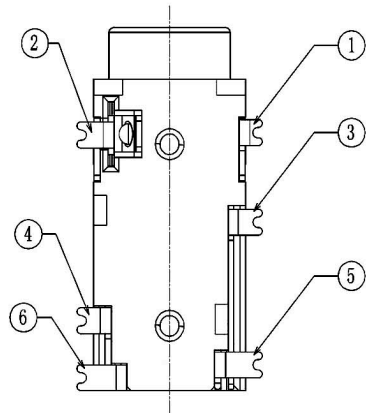
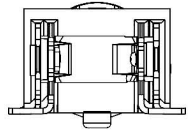
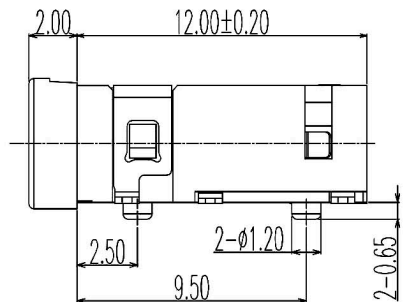
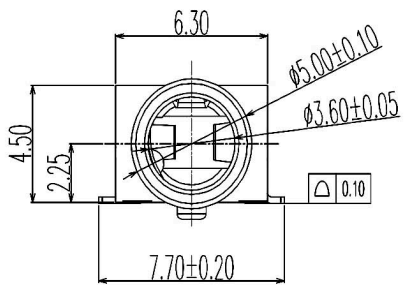
3D VIEW



SCHEMATIC



P.C.B LAYOUT  
TOP VIEW



1. CONTACT CURRENT RATING: 1A.
2. CONTACT RESISTANCE: 50 mΩ MAX.;
3. INSULATION RESISTANCE: 100MΩ MIN.;
4. DIELECTRIC WITHSTANDING: 500V AC MIN.;
5. DURABILITY: 5,000 CYCLES MIN.;
6. CONNECTOR MATING FORCES: 29.4N MAX.;
7. CONNECTOR UNMATING FORCES: 2.94N MIN.;

7	TERMINAL 6#	1	BRASS; THE BOTTOM OF THE NICKEL,GOLD PLATING ON SOLDER AREA ;
6	TERMINAL 5#	1	
5	TERMINAL 4#	1	PHOSPHOR BRONZE; NICKEL UNDER PLATING OVERALL,GOLD PLATING ON SOLDER AREA ;GOLD PLATING ON CONTACT AREA
4	TERMINAL 3#	1	
3	TERMINAL 2#	1	PHOSPHOR BRONZE; THE BOTTOM OF THE NICKEL; THE WHOLE GOLD PLATING.
2	TERMINAL 1#	1	
1	HOUSING	1	PA9T COLOR BLACK
ITEM	NAME	QTY	DESCRIPTION

<b>RoHS Compliant</b>		<b>HSM 玄茂科技股份有限公司</b> <b>HSUAN MAO TECHNOLOGY CO., LTD.</b>	
APPD. 核准 DWG. 製圖 DATE 制表日 2023/11/10	SCALE 比例 參考 UNIT 單位 M M PAGE 張數 1 OF 1	UNLESS OTHERWISE SPECIFIED, TOLERANCE: X. ±0.25 X.X ±0.20 X.XX ±0.15 X.XXX ±0.10 ANGULAR ±3°	PART NAME 品名 3.5Φ EARPHONE JACK 6PIN SMT TYPE W/ TWO PLASTIC POSTS GOLD PLATING BLACK INSULATOR REEL PACKING ROHS PART NO. 料號 C8526-06AGBR00R