

1 2 3 4 5 6 7 8

A

B

C

D

E

F

G

H

A

B

C

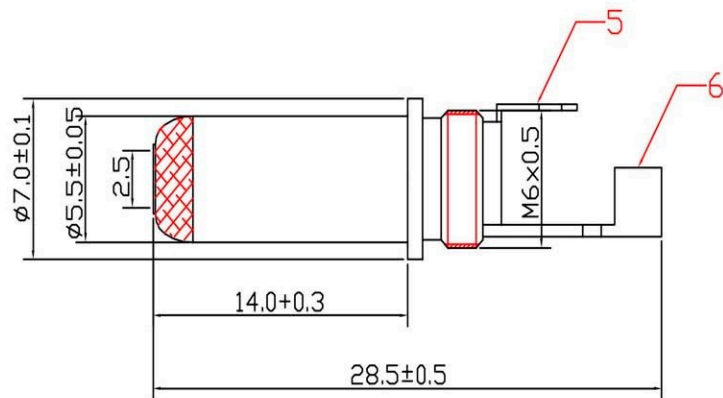
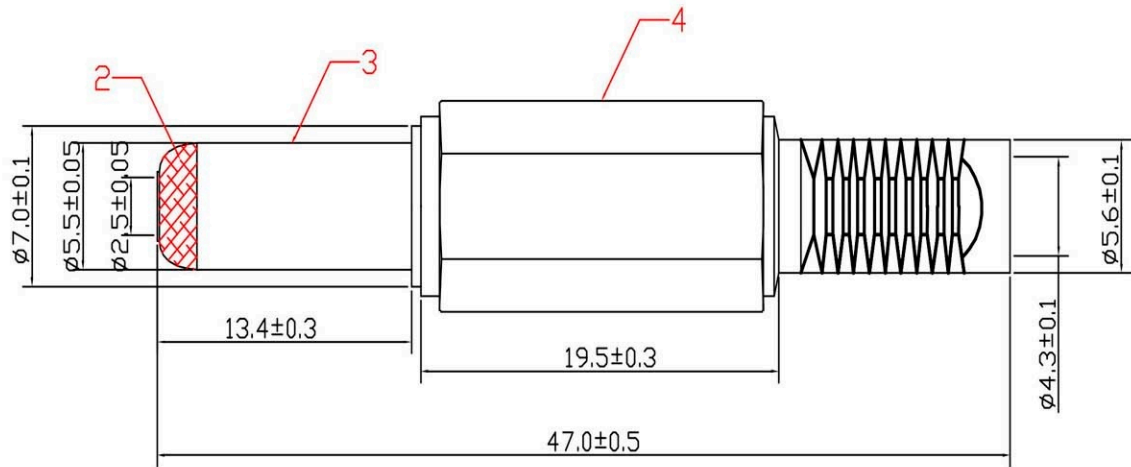
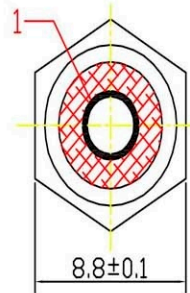
D

E

F

G

H



TOLERANCE	
0 - 10	±0.05
10 - 99	±0.5
100 - 999	±10.0
1000 - 9999	±100.00
10000 - 99999	±1000.00

6	CRIMPING PATCH	BRASS
5	SOLDERING PATCH	BRASS
4	SHELL	PE
3	BODY	BRASS
2	INSULATOR	POM
1	INSIDE TUBE	BRASS
ITEM	DESIGNATION	MATERIAL

RoHS
Compliant

HSM 玄茂科技股份有限公司
HSUAN MAO TECHNOLOGY CO., LTD.

APPD. 核准		TOLERANCE 容許公差	PART NAME 品名
DWG. 製圖	SCALE 比例	0 ± .00 ± ANG. ± 3°	DC PLUG 2.5*5.5*14mm PREMOLDED HANDLE TYPE NICKEL PLATING BLACK INSULATOR ROHS
DATE 制表日	UNIT 單位	SIZE. 紙張尺寸	PART NO.
2016/12/13	MM	A 4	料號 C8400-26PNB000R
	PAGE 張數	REV. 版本	
	1 OF 1	B	

1 2 3 4 5 6 7 8