

Specifications:

Electrical:

1. Current Rating: 1.0A/contact terminal
2. Voltage Rating 30V DC
3. Contact Resistance: 50 milliohms MAX
4. Dielectric Withstanding Voltage: 300 V AC AT Sea Level
5. Insulation Resistance: 100MEGA ohms MIN

Mechanical:

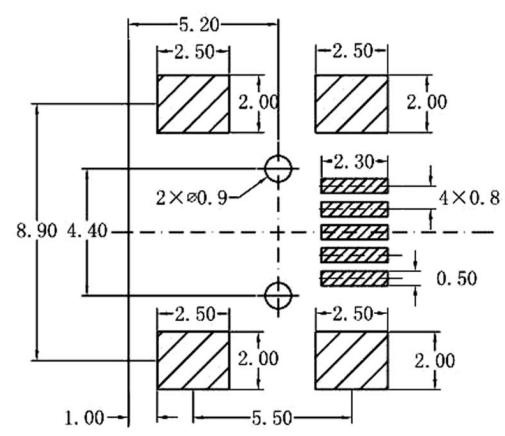
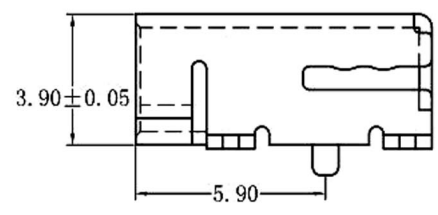
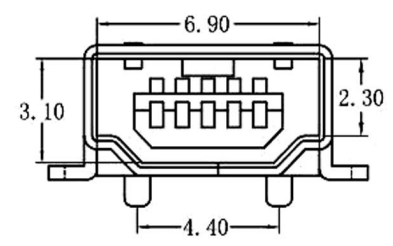
1. Connector Mate and Unmate Force
Mate force: 3.0kgf (MAX)
Unmate force: 0.7kgf (MIN)
2. Terminal Retention 0.5kgf (MIN)

Material:

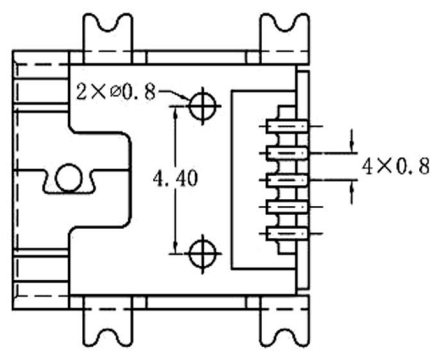
1. Housing: High Temperature Thermoplastics, U1 94V-0 LCP Black
2. Contact: Copper Alloy C2680/C5191
3. Shell: Copper Alloy C2680

Finish:

1. Contact: Plated Gold in Mating Area; Tin On Solder Talls
2. Shell: Nickel Plating



RECOMMENDED PCB LAYOUT



RoHS Compliant		HSM 玄茂科技股份有限公司 HSUAN MAO TECHNOLOGY CO., LTD.	
APPD. 核准	SCALE 比例 参考	TOLERANCE UNSPECIFIED XX ±0.30 XXX ±0.20 XXXX ±0.10 X* ±5° XX* ±2°	PART NAME 品名 MINI USB A TYPE 5PIN FEMALE P.C.B. SMT TYPE WITH LOCATING PEG SELECTIVE GOLD PLATING BLACK INSULATOR ROHS
DWG. 製圖 Betty	UNIT 單位 M M	SIZE 紙張尺寸 A 4	PART NO. 料號 C8320-05AFDSB0R
DATE 制表日 2016/05/06	PAGE 張數 1 OF 1	REV. 版次 A	