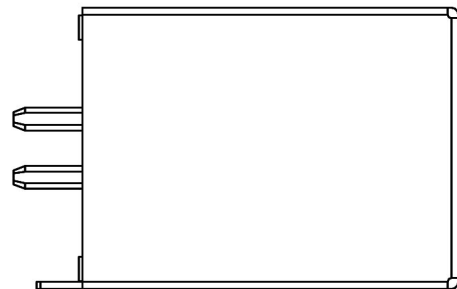


1 2 3 4 5 6 7 8

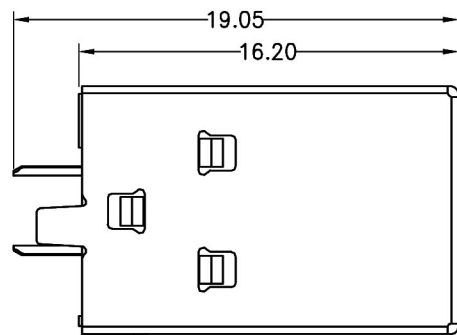
A



B

C

D

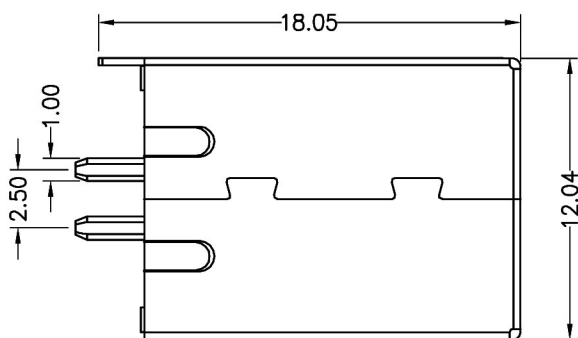


E

F

G

H



1 2 3 4 5 6 7 8

1.MECHANICAL:

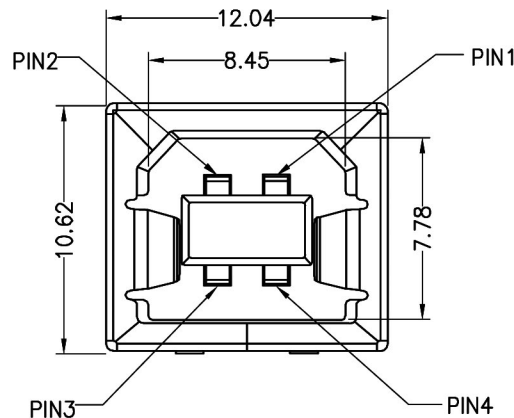
- 1.1 INSERTION FORCE: 35N MAX.
- 1.2 WITHDRAWAL FORCE: 10N MIN.
- 1.3 DURABILITY: 1500 CYCLES MIN.

2.ELECTRICAL:

- 2.1 CONTACT RESISTANCE: 30m MAX.
- 2.2 INSULATION RESISTANCE: 1000M MIN.
- 2.3 DIELECTRIC WITHSTANDING VOLTAGE: 500V AC

3.ENVIRONMENTAL:

- 3.1 TEMPERATURE RANGE:-20°C TO +85°C



3	HOUSING	1	HIGH TEMPERATURE THERMOPLASTICS,UL94V-0	
2	CONTACTS	4	COPPER ALLOY	GOLD/TIN OVER NICKEL
1	SHELL	1	SPCC	NICKEL PLATED
ITEM	NAME	Q'TY	MATERIAL	FINISH

<b>RoHS</b> Compliant	<b>HSM</b> 玄茂科技股份有限公司 HSUAN MAO TECHNOLOGY CO., LTD.		
	APPD. 核准 Hedy	GENERAL TOLERANCE X.X ±0.20 X.XX ±0.15 X.XXX ±0.05	PART NAME 品名 USB CONNECTOR SOLDER TYPE 4P B TYPE FEMALE WHITE OR BLACK INSULATOR ROHS
DWG. 製圖 Hedy	SCALE 比例 參考	UNIT 單位 MM	SIZE. 紙張尺寸 A 4
DATE 制表日 2013/09/26	PAGE 張數 1 / 1	REV. 版次 A	PART NO. 料號 C8319-04BFSXX0R