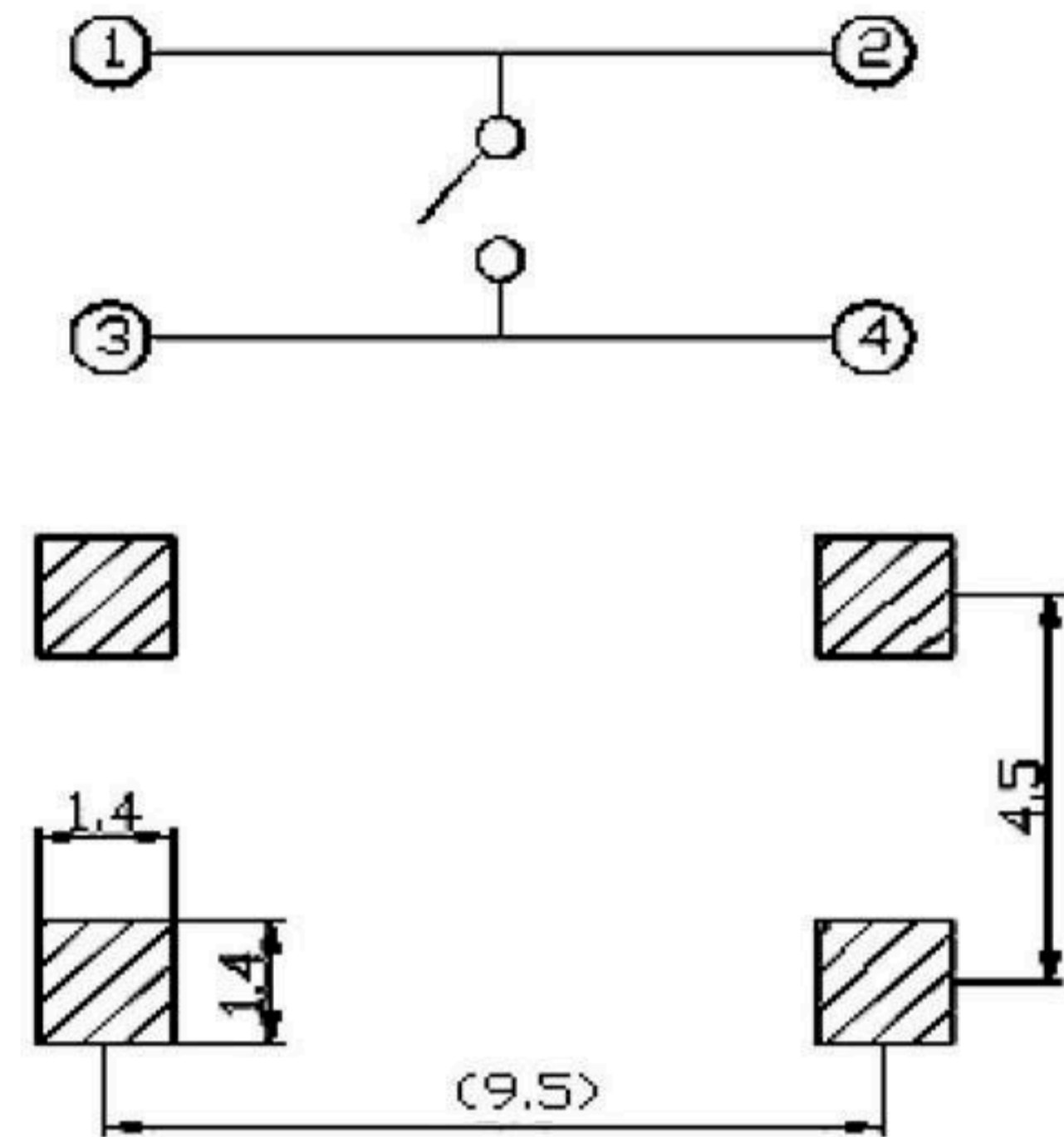
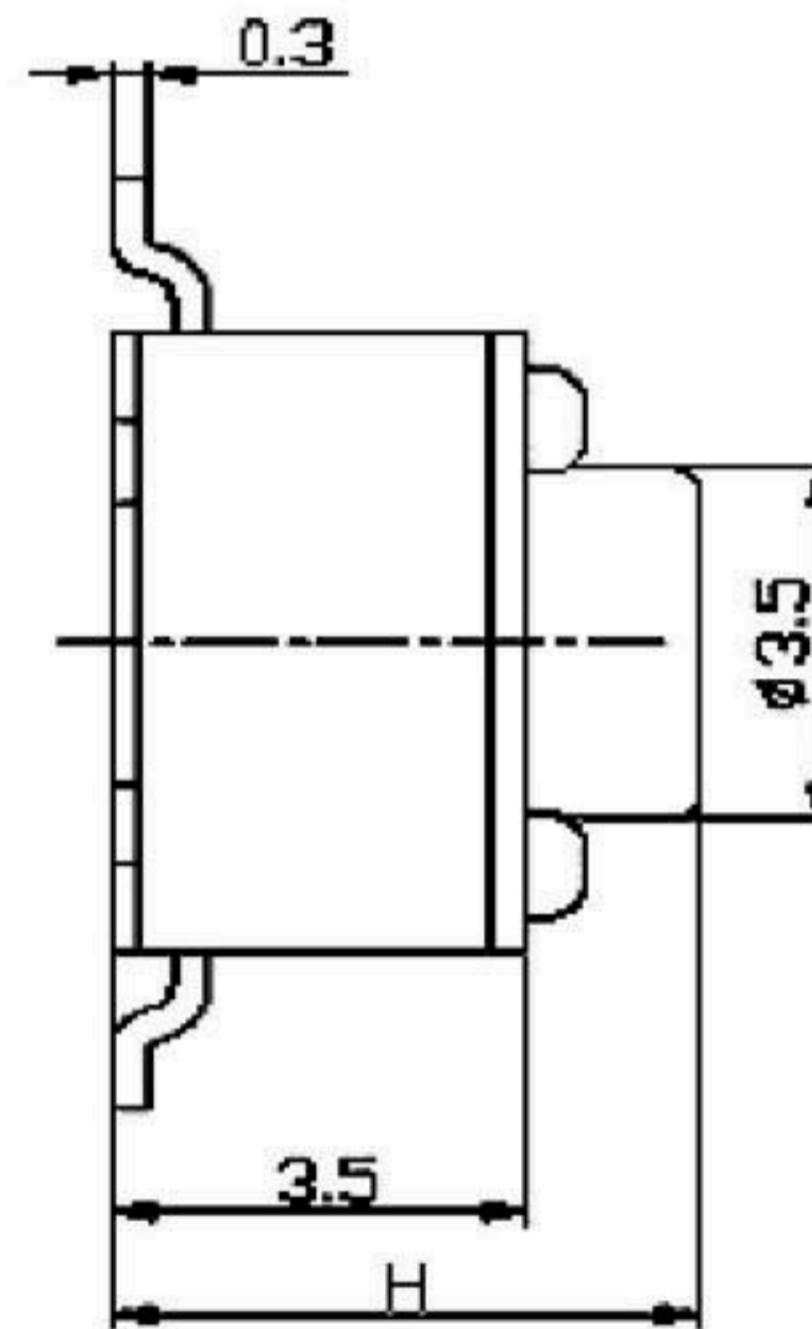
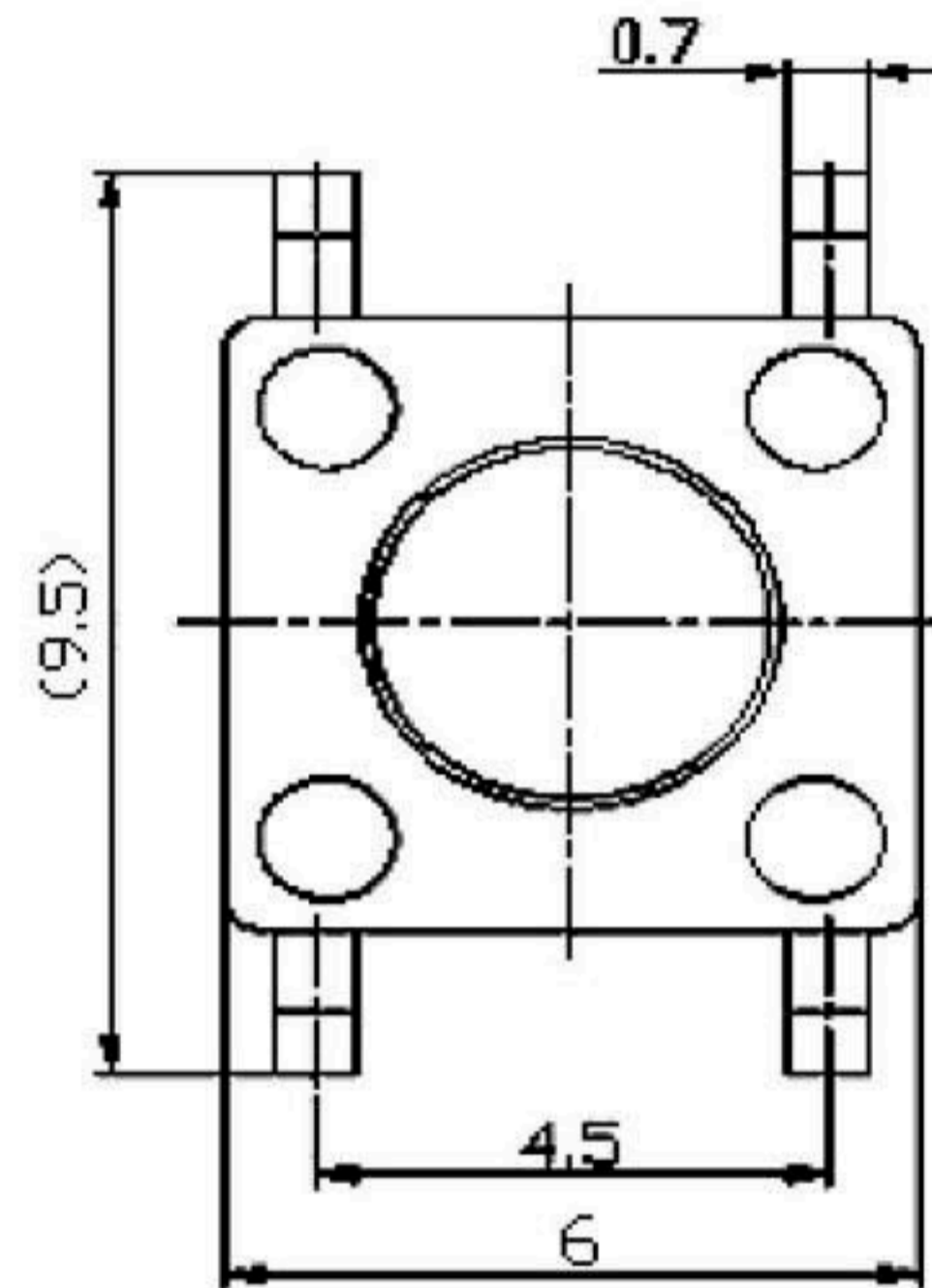


RATING: DC12V 50mA  
 WITHSTAND VOLTAGE: AC250V(50Hz)/min  
 CONTACT RESISTANCE: 100mΩ max  
 INSULATION RESISTANCE: 100MΩ min  
 TRAVEL TO CLOSURE: 0.25±0.1mm  
 OPERATION FORCE: 160gf±50gf 250gf±50gf  
 LIFE TEST: 100,000 cycles



H=4, 3, 5, 6, 7, 8, 9.5

NO.	DESCRIPTION	MATERIAL	QTY.	PLATED
6				
5	TERMINAL	BRASS	4	Ag-PLATED
4	SPRING	PHOSPHOR BRONZE	1	
3	HOUSING	PA66	1	BLACK
2	COVER	SPCC	1	Ni-PLATED
1	KNOB	PA66	1	BLACK

<b>RoHS Compliant</b>		<b>HSM 玄茂科技股份有限公司</b> <b>HSUAN MAO TECHNOLOGY CO., LTD.</b>	
APPD. 核准 DWG. 製圖 DATE 制表日 2013/9/5	SCALE 比例 UNIT 單位 M M PAGE 張數 1 OF 1	TOLERANCE 容許公差 .0 ± 0.1 .00 ± ANG. ± SIZE 紙張尺寸 A 4 REV. 版本 A	PART NAME 品名 TACT SWITCH SMT TYPE PORD. SIZE:6X6mm PITCH:9.5mm OPERATING FORCE:160g or 250g BLACK COLOR BAG PACKING ROHS PART NO. 料號 C8310-XE(B,C)BB000R