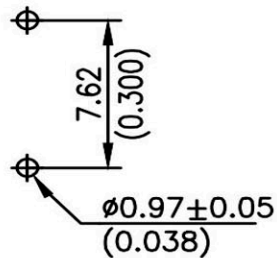
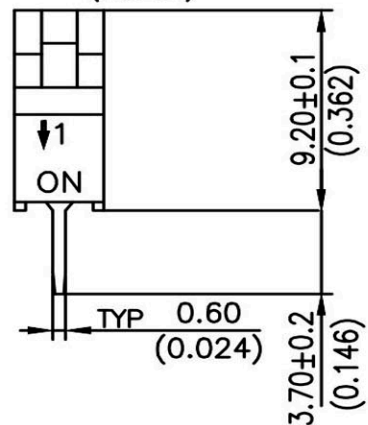
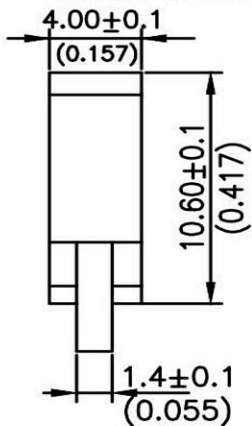
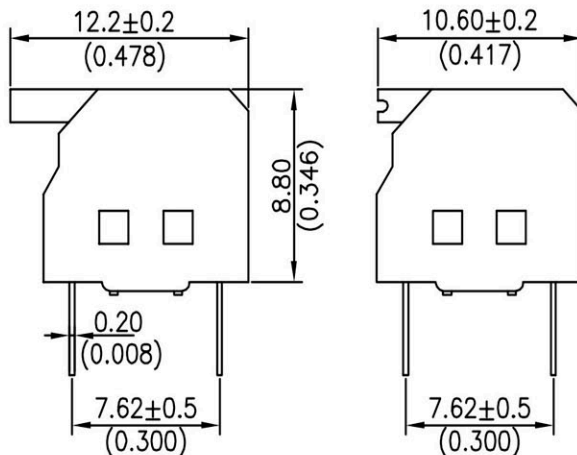


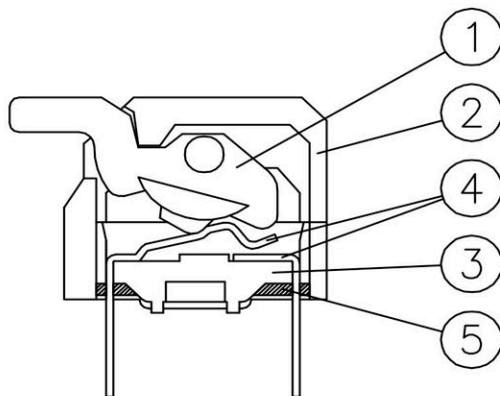
DIMENSION:(UNIT:mm/inches)



P.C.B. LAYOUT



↑ C8300-01PLXJX0R ↑ C8300-01PSXJX0R



CONSTRUCTION



CIRCUIT DIAGRAM

ITEM	DES	MATERIALS	TREATMENT
1	ACTUATOR	UL94V-0 PBT THERMOPLASTIC	WHITE
2	COVER	UL94V-0 PBT THERMOPLASTIC	BLUE, RED.BLACK
3	BASE	UL94V-0 PBT THERMOPLASTIC	BLACK
4	TERMINAL	PHOSPHOR BRONZE	GOLD PLATING
5	POTTING	EXPOXY	BLACK

RoHS
Compliant

HSM 玄茂科技股份有限公司
HSUAN MAO TECHNOLOGY CO., LTD.

APPD. 核准
DWG. 製圖 Helen
DATE 制表日 2016/11/3

SCALE 比例 參考
UNIT 單位 MM
PAGE 張數 1 OF 1

TOLERANCE 容許公差
0 ± 0.35
.00 ± 0.25
ANG. ± 3°
SIZE. 紙張尺寸 A4
REV. 版本 AB

PART NAME 品名
DIP SWITCH PIANO TYPE 1P
(LONG OR SHORT KEY) GOLD 3U" ROHS

PART NO.
料號 C8300-01P(L,S)XJX0R