

**Specification:**

Contact Resistance: 30m Ohm Max.

Insulation Resistance: 100M Ohm Min. AT 500V DC

Rated Voltage And Current: DC12V.2A Max; AC 100V.1A Max .

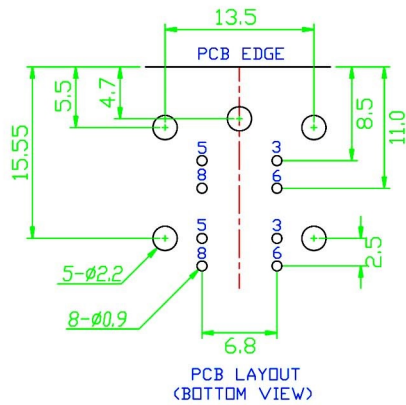
Dielectric Withstanding Voltage: 250V AC For 1 Minute

Durability (Life Test): 100 Cycles

Insertion Force: 4.0KG Maximum.

Extraction Force: 0.9KG Minimum.

Operating Temp: -25°C ~ +70°C



NO.	NAME	MATERIAL	FINISH	REMARK	Q'TY
1	TOP HOUSING	PBT G.F.	BLACK		1
2	BOTTOM HOUSING	PBT G.F.	BLACK		1
3	BACK COVER	PBT G.F.	BLACK		1
4	CONTACT TERM.	PHOS. BRONZE T:0.2	GOLD/TIN PLATED	Gold:1~3u"; NI:40~60u"; TIN:120u" (100% pure Tin of lead free plating)	8
5	FRONT SHIELD	BRASS T:0.3	TIN PLATED	TIN:120~200u"	1
6	BACK SHIELD	BRASS T:0.3	TIN PLATED	TIN:120~200u"	1

**RoHS  
Compliant**

**HSM 玄茂科技股份有限公司  
HSUAN MAO TECHNOLOGY CO., LTD.**

APPD. 核准  
DWG. 製圖  
DATE 制表日  
2010/12/16

SCALE 比例 參考  
UNIT 單位 MM  
PAGE 張數 1 / 1

TOLERANCE 容許公差  
X. ±0.38  
.X ±0.25  
XX ±0.13  
XXX ±0.05

PART NAME 品名  
MINI DIN JACK 2X4P  
FULLY SHIELDED KINK TYPE  
SELECTIVE GOLD PLATING  
BLACK INSULATOR ROHS LOW LEAD

PART NO.  
料號 C8200-04NKSB00R