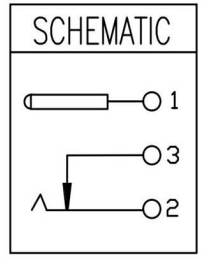
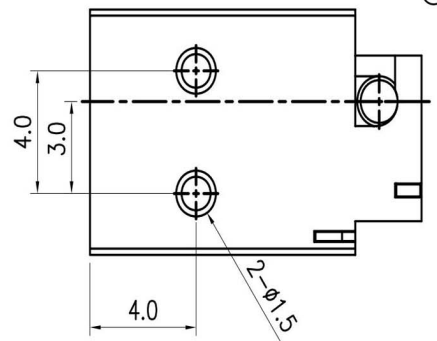


- Notes:
- Electrical Characteristics:
    - 1-1. Rating : DC 18 V 2 A ;
    - 1-2. Contact Resistance: 30mΩ Max.(Initial),  
Between plug and contact 100mΩ Max;  
(Final) After Life test: ≤60mΩ ;
    - 1-3. Dielectric Withstanding Voltage: 500V AC for One Minute ;
    - 1-4. Insulation Resistance: 100MΩ Min. Measured By 500 VDC;
  - Mechanical Characteristics:
    - 2-1. Plug Insertion Force 0.3~2.0Kgf (initial),  
0.3~2.0Kgf (Final) life test;
    - 2-2. Plug Extraction Force: 0.3~2.0Kgf (initial),  
0.3~2.0Kgf (Final) life test;
  - Durability Test: 5,000 Cycles min;
  - Operating temperature: -25°C ~ +70°C;
  - Soldering Heat Resistance Wave Soldering 230°C;
  - Plug Interface Dimensions Conform To EIAJ RC-5321 Spec;
  - Packaging: Plastic Bag;



4	CURVE PIEVE	1	C2680	T=0.4	MB:Ni	Ag	PLATED
3	SPRING	1	C5191	T=0.3	MB:Ni	Ag	PLATED
2	CENTER PIN	1	COPPER ALLOY		MB:Ni	Ag	PLATED
1	HOUSING	1	PBT		UL-94V0(BLACK)		
LTR	PART NAME	QTY	MATERIAL		REMARK		

<p>RoHS Compliant</p>	<p><b>HSM</b> 玄茂科技股份有限公司</p> <p><b>HSUAN MAO TECHNOLOGY CO., LTD.</b></p>														
	<p>APPD. 核准</p> <p>DWG. 製圖</p> <p>DATE 制表日</p> <p>2018/04/30</p>	<p>SCALE 比例</p> <p>UNIT 單位</p> <p>PAGE 張數</p> <p>1 OF 1</p>	<p>TOLERANCES- UNLESS OTHERWISE SPECIFIED 公差</p> <table border="1"> <tr> <td>XX</td> <td>±0.30</td> <td>XX'</td> <td>±3'</td> </tr> <tr> <td>XXX</td> <td>±0.20</td> <td>XXX'</td> <td>±1'</td> </tr> <tr> <td>XXXX</td> <td>±0.15</td> <td></td> <td></td> </tr> </table> <p>SIZE. 紙張尺寸</p> <p>A 4</p> <p>REV. 版次</p> <p>B</p>	XX	±0.30	XX'	±3'	XXX	±0.20	XXX'	±1'	XXXX	±0.15		
XX	±0.30	XX'	±3'												
XXX	±0.20	XXX'	±1'												
XXXX	±0.15														