

1 2 3 4 5 6 7 8

A

A

B

B

C

C

D

D

E

E

F

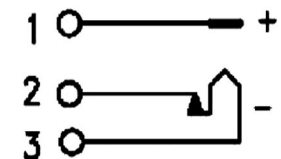
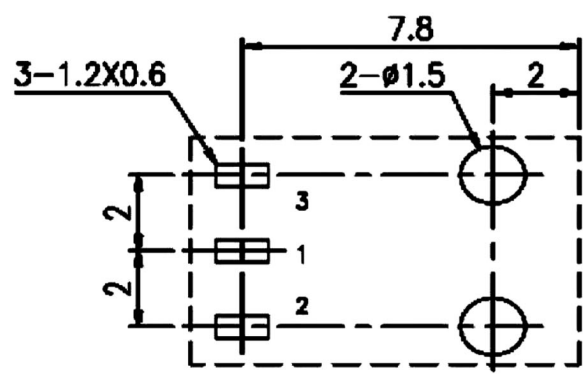
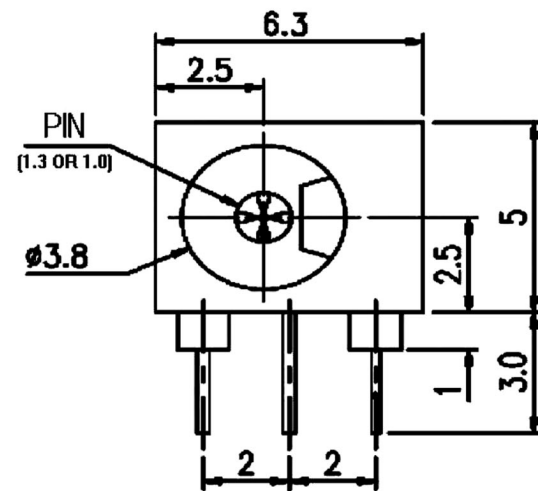
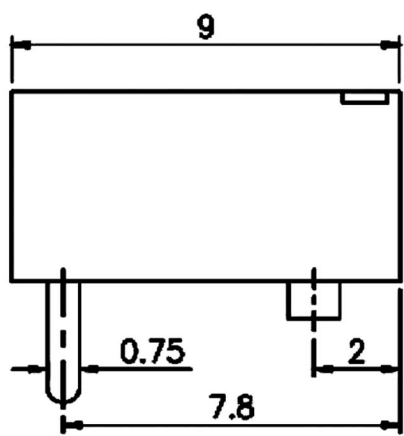
F

G

G

H

H



6				
5				
4				
3	HOUSING	PBT/Nlon	1	BLACK
2	TEMINAL	H62 BRASS	2	Ag-Plating
1	PIN	H59 BRASS	1	Ni-Plating
NO.	DESCRIPTION	MATERIAL	QTY.	PLATING

RoHS  
Compliant

**HSM** 玄茂科技股份有限公司  
HSUAN MAO TECHNOLOGY CO., LTD.

APPD.  
核准  
Betty  
DATE 制表日  
2014/11/25

SCALE  
比例 参考  
UNIT  
單位 M M  
PAGE  
張數 1 OF 1

TOLERANCE  
容許公差  
.0 ± 0.30  
.00 ± 0.20  
ANG. ± 3°  
SIZE.  
紙張尺寸 A 4  
REV.  
版次 A  
PART NAME 品名  
DC POWER JACK PINφ1.3mm NORMAL CLOSE  
FLAT TYPE NICKEL PLATED BLACK INSULATOR  
WITH LOCATING PEG ROHS  
PART NO.  
料號 C8122-ACNBY000R

1 2 3 4 5 6 7 8