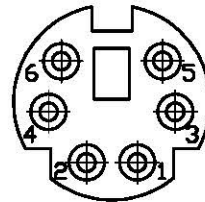
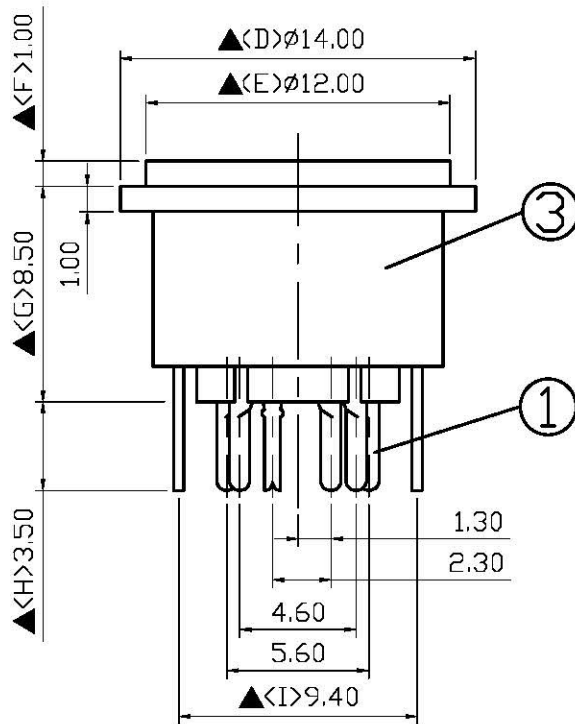


Pin Hole Layout
(Jack Bottom View)



Arrangement of Contact

SPECIFICATIONS:

- Contact Resistance : 30mΩ max
- Insulation Resistance : 100MΩ min. at DC 500V
- Dielectric Withstand Voltage : AC 500V for one minute
- Current Rating : 5A
- Voltage Rating : 24V
- Operating Temp : -40°C to +70°C

Remark: ▲: The Most Important Dimension

NO.	Description	Material	Q'TY	Finish
3.	Housing	PBT	1	Black Color
2.	Shell	0.4T Brass	1	Nickel Plating
1.	Terminal	0.2T Phosphor Bronze	6	Silver Plating

TOLERANCE: ±0.3mm UNLESS OTHERWISE SPECIFIED.

RoHS
Compliant

HSM 玄茂科技股份有限公司
HSUAN MAO TECHNOLOGY CO., LTD.

APPD. Angel	 SCALE 参考	TOLERANCE .0 ± .00 ± ANG. ±	PART NAME 品名 MINI DIN JACK 6P VERTICAL TYPE W/O LOCK PIN: SILVER PLATED ROHS
DWG. Yumi		UNIT M M	SIZE. A 4
DATE 2009/07/08	PAGE 1 OF 1	REV. A	PART NO. 料 號 C8101-06PDB000R