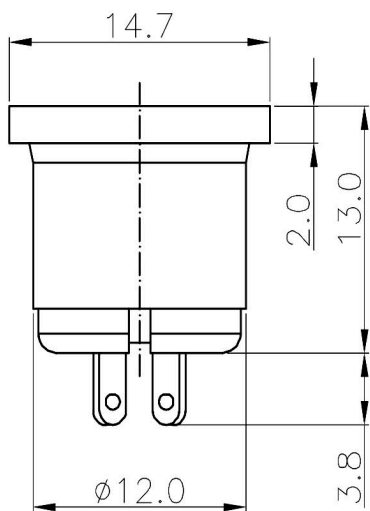


RECOMMEND PANEL CUT-OUT



5	COVER	1	PBT	BLACK
4	WASHER	1	BRASS	Ni PLATED
3	SHELL	1	BRASS	Ni PLATED
2	CONTACT FOOT	4	PHOSPHOR BRONZE	Sn PLATED
1	HOUSING	1	PBT	BLACK
LTR	PART NAME	QTY	MATERIAL	REMARK

RoHS  
Compliant

**HSM** 玄茂科技股份有限公司  
HSUAN MAO TECHNOLOGY CO., LTD.

APPD. 核准		TOLERANCE 容許公差	PART NAME 品名
DWG. 製圖	Betty	SCALE 比例 參考	POWER DIN SOCKET METAL COVER TYPE
DATE 制表日	2024/04/01	UNIT 單位 M M	4PIN FEMALE SOLDER TYPE
		PAGE 張數 1 OF 1	TERMINAL:TIN PLATED SHELL MATERIAL:BRASS, NICKEL PLATED BLACK COLOR ROHS
		REV. 版次 A	PART NO. 料號 C8029-04ATBBN0R