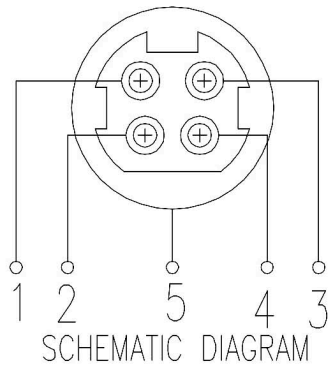


4	TERMINAL	2	C2680	t=0.4	Ag	PLATED
3	TERMINAL	2	C2680	t=0.4	Ag	PLATED
2	GROUND CONTACT	1	C2680	t=0.4	Cu/Sn	PLATED
1	HOUSING	1	PA9T			UL-94V0
LTR	PART NAME	QTY	MATERIAL			REMARK



T:1.6 Dimensions of PC board holes  
Tolerance : ±0.05(Printed-Bottom view)

RoHS  
Compliant

**HSM** 玄茂科技股份有限公司  
**HSUAN MAO TECHNOLOGY CO., LTD.**

APPD.  
核准  
DWG.  
製圖  
DATE 制表日  
2023/04/25

SCALE  
比例  
UNIT  
單位  
PAGE  
張數  
1 OF 1

TOLERANCE  
容許公差  
.0 ± 0.30  
.00 ± 0.20  
ANG. ± 3°  
SIZE  
紙張尺寸  
A 4  
REV.  
版次  
A

PART NAME 品名  
POWER DIN JACK CONNECTOR 4PIN FEMALE  
OFFSET TYPE ALL PLASTIC & WITH INNER METAL  
RING SILVER PLATING MATERIAL:PA9T UL94V-0  
BLACK COLOR REEL PACKING ROHS  
PART NO.  
料號 C8027-04FBVBBRR