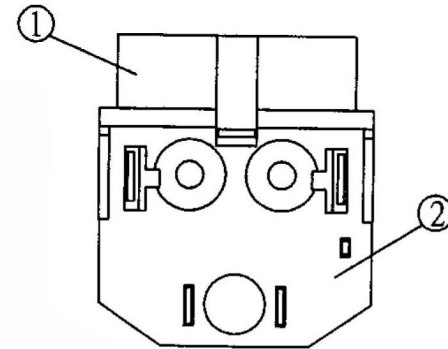
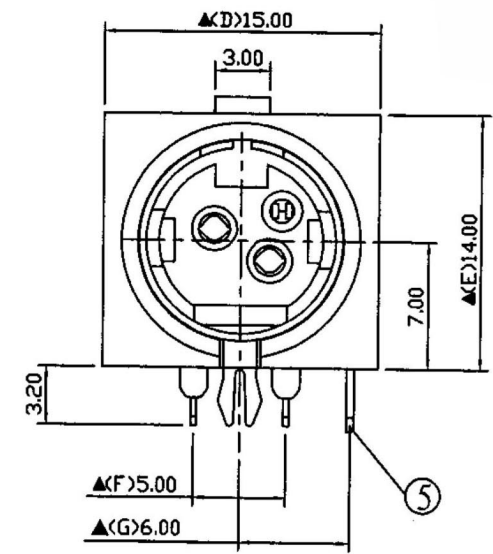
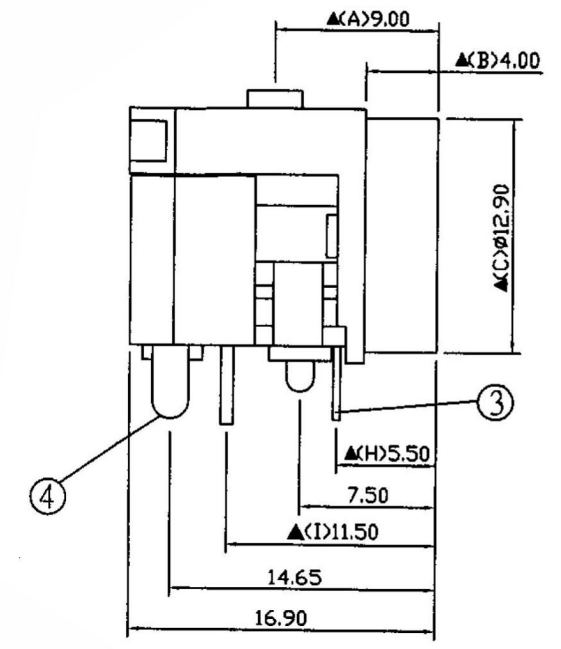


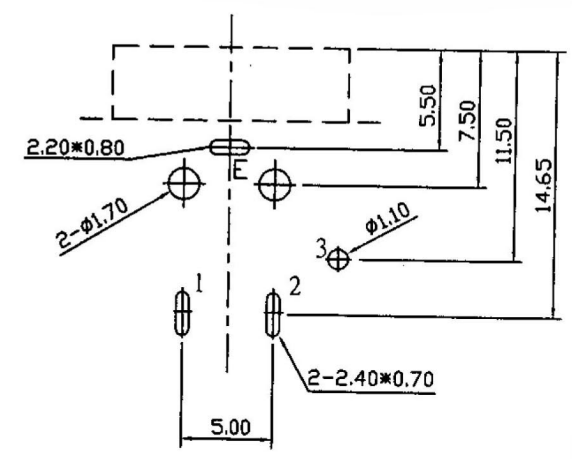
1 2 3 4 5 6 7 8

A
B
C
D
E
F
G
H

A
B
C
D
E
F
G
H



SPECIFICATIONS:
 Contact Resistance : 30mΩ max
 Insulation Resistance : 100MΩ min. at DC 500V
 Dielectric Withstand Voltage : AC 500V for one minute
 Remark: ▲ : The Most Important Dimension



Pin Hole Layout
 <Jack Bottom View>

5.	Terminal	0.2T Phosphor copper	1	Silver Plated
4.	Terminal	0.3T Brass	2	Silver Plated
3.	Inner shield	0.4T Brass	1	Nickel Plated
2.	Cover	PBT	1	Black Color
1.	Housing	PBT	1	Black Color
NO.	Description	Material	Q'TY	Finish

RoHS Compliant		玄茂科技股份有限公司 HSUAN MAO TECHNOLOGY CO., LTD.	
APPD. 核准 BETTY	 SCALE 比例 参考	TOLERANCE 容許公差 .0 ±0.3 .00 ± ANG. ±	PART NAME 品名 DIN JACK 3P WITH FULLY PLASTIC WITH BOARDLOCK PIN MATERIAL:PBT UL94-V0 BLACK INSULATOR ROHS
DWG. 製圖 BETTY	UNIT 單位 M M	SIZE. 紙張尺寸 A 4	PART NO. 料號 C8023-03FPBVB0R
DATE 制表日 2010/01/27	PAGE 張數 1 OF 1	REV. 版本 A	

1 2 3 4 5 6 7 8