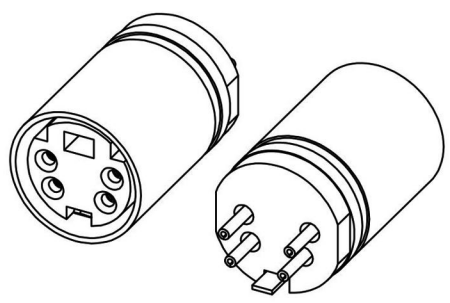


1 2 3 4 5 6 7 8

A



B

C

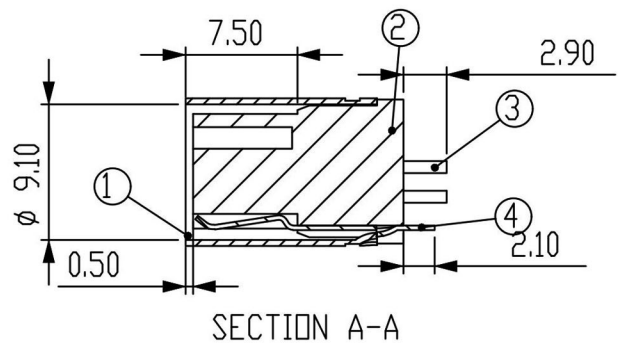
D

E

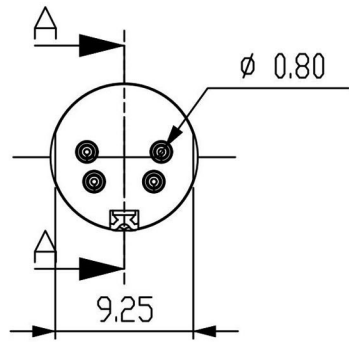
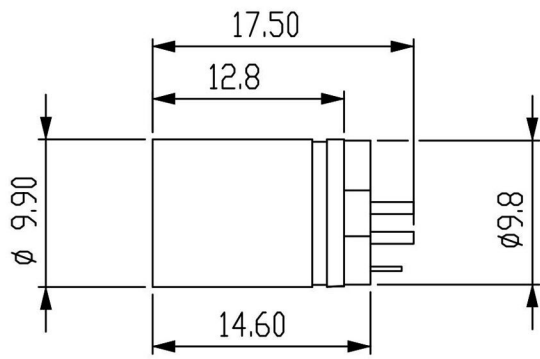
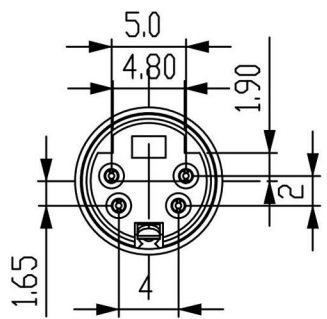
F

G

H



Specifications  
rating :  
100V AC 1A MAX or 12V DC 2A MAX  
contact resistance :  
30mΩ MAX  
insulation resistance :  
MIN 50MΩ at 250V DC  
voltage withstand :  
250V AC, 1 minute  
operating temp: -25°C to +80°C



4	Nagetive contactor	Phosphor Bronze	Silver Ptd.	1
3	Contact Terminals	Brass	Gold+Tin Ptd.	4
2	4P Housing	PBT		1
1	Shell cover	Brass	Nickel Ptd.	1
No.	Description	Material	Treat	Q'ty

<b>RoHS Compliant</b>		<b>HSM 玄茂科技股份有限公司</b>	
		<b>HSUAN MAO TECHNOLOGY CO., LTD.</b>	
APPD. 核准	SCALE 比例 参考	TOLERANCE 容許公差 .X +/-0.3 .XX +/-0.20	PART NAME 品名 MINI DIN MOLDED TYPE 4P FEMALE STAMPED PIN SHELL NICKEL PLATING CONTACT SELECTIVE GOLD PLATING W/O DRAIN ROHS
DWG. 製圖	UNIT 單位	SIZE. 紙張尺寸	PART NO.
Hedy	MM	A 4	C8010-04FASSB0R
DATE 制表日	PAGE 張數	REV. 版次	料號
2020/04/16	1 / 1	A	

1 2 3 4 5 6 7 8