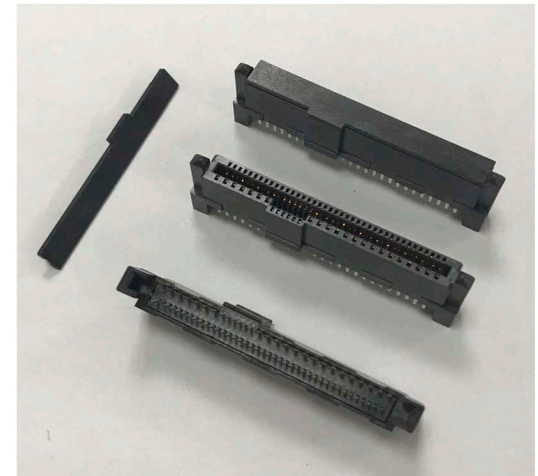
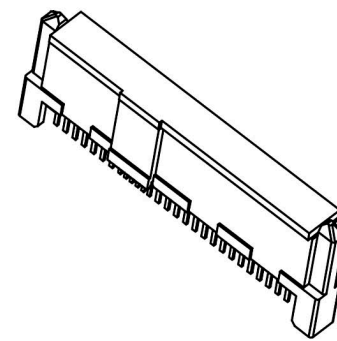


NOTE:

- MATERIAL :  
HOUSING : HIGH TEMPERATURE THERMOPLASTIC, UL94V-0, COLOR : BLACK  
TERMINAL(max): COPPER ALLOY, THICKNESS = 0.25 mm  
TERMINAL(min): COPPER ALLOY, THICKNESS = 0.25 mm
- PLATING:  
CONTACT: 15U" GOLD OVER 50u" MIN NICKEL  
UNDERPLATE (SEE TABLE 1)  
SOLDER TAIL: 100u" MIN TIN 50u" MIN NICKEL UNDERPLATE  
GOLD SPECIFICATION: SEE TABLE
- ELECTRONICAL SPECIFICATION:  
CURRENT RATING: 1.5 AMPERE PER CONTACT  
CONTACT RESISTANCE: 30 MILLIOHMS MAX.  
INSULATION RESISTANCE: 1000 MEGOHMS MIN.  
DIELECTRIC WITHSTANDING VOLTAGE: 500 VAC.  
OPERATING TEMPERATURE: -40°C ~ +85°C



RoHS Compliant		HSM 玄茂科技股份有限公司 HSUAN MAO TECHNOLOGY CO., LTD.	
APPD. 核准	SCALE 比例	TOLERANCE X ±0.30 X <sup>2</sup> ±0.2 Y ±0.20 Y <sup>2</sup> ±0.1 Z ±0.10 Z <sup>2</sup> ±0.05	PART NAME 品名 U.2(SFF-8639) CONNECTOR 68PIN FEMALE STRADDLE TYPE MATERIAL:LCP WITH COVER SELECTIVE GOLD 15U" BLACK COLOR TRAY PACKING ROHS
DWG. 製圖	UNIT 單位	SIZE 紙張尺寸	PART NO. 料號
DATE 制表日	PAGE 張數	REV. 版次	C7212-68FNHYBHR
2021/11/18	1 OF 1	A 4	