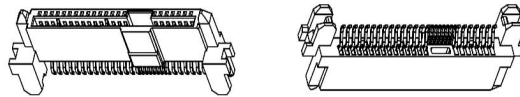
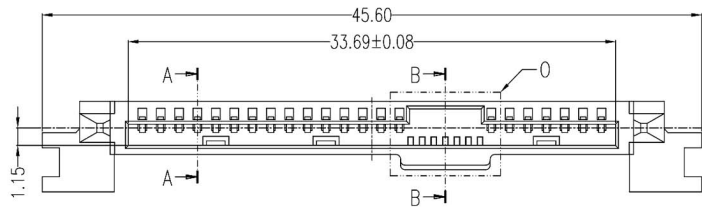


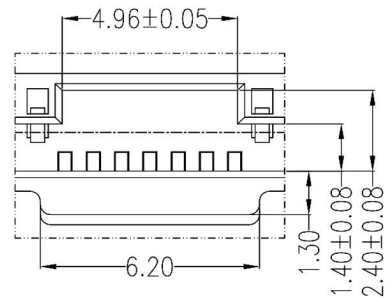
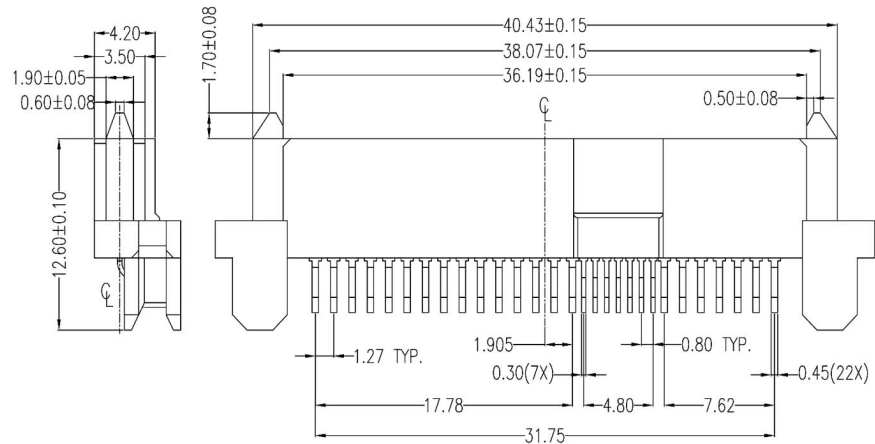
1 2 3 4 5 6 7 8

A  
B  
C  
D  
E  
F  
G  
H

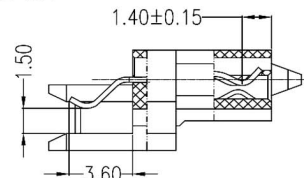


**NOTES:**

- Material:**  
Housing: LCP+50%G.F, UL 94V-0 Rated.  
Color: Black.  
Contact: Phosphor Bronze.  
Plating: Gold Plating over Nickel on Contact Area.  
Tin Plating on Solder Tail.



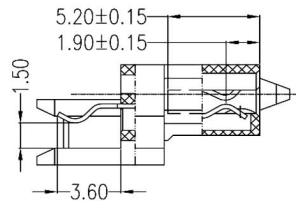
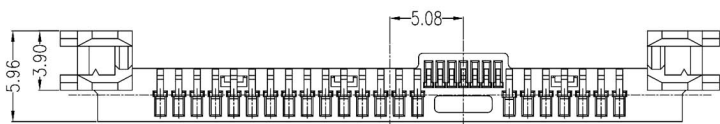
VIEW 0  
SCALE 2:1



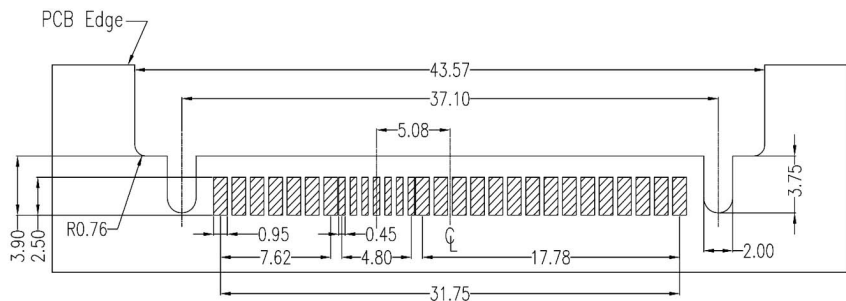
SECTION A-A

- Mechanical:**  
Insertion Force: 25N Max.  
Withdrawal Force: 5N Min.  
Durability: 500 Cycles
- Electrical Specification:**  
Current Rating: 1.5 Ampere per Contact.  
Contact Resistance: 30mΩ Max.  
Insulation Resistance: 1000MΩ Min.  
Dielectric Withstanding Voltage: 500 VAC.

- Environmental:**  
Operating Temperature: 0°C to +55°C



SECTION B-B



PCB LAYOUT(T=1.60mm)  
COMPONENT SIDE

Power Segment					Signal Segment			
Pin NO.	Type	Name	Type		Pin NO.	Type	Name	Type
P1	V33	P9	V5		S1	Signal Ground	S8	Signal Ground
P2	V33	P10	Ground		S2	TP+	S9	TS+
P3	V33	P11	Ready Led		S3	TP-	S10	TS-
P4	Ground	P12	Ground		S4	Signal Ground	S11	Signal Ground
P5	Ground	P13	V12		S5	RP-	S12	RS-
P6	Ground	P14	V12		S6	RP+	S13	RS+
P7	V5	P15	V12		S7	Signal Ground	S14	Signal Ground
P8	V5							

RoHS Compliant **HSM** 玄茂科技股份有限公司  
HSUAN MAO TECHNOLOGY CO., LTD.

APPD. 核准 <b>Betty</b>	SCALE 比例 参考	UNLESS OTHERWISE SPECIFIED DIMENSIONS ARE IN MM TOLERANCES ARE: X ± .25 XX ± .25 XXX ± .20	PART NAME 品名 SAS CONNECTOR SINGLE SIDE 29P(7+7+15) FEMALE STRADDLE TYPE FOR 1.6mm P.C.B THICKNESS BLACK COLOR ROHS
DWG. 製圖 <b>Betty</b>	UNIT 單位 M M	DECIMALS' ANGLES X ± .25 XX ± .25 XXX ± .20	PART NO. 料號 C7211-29FNBXB0R
DATE 制表日 2013/07/17	PAGE 張數 1 OF 1	SIZE 紙張尺寸 A 4	

1 2 3 4 5 6 7 8