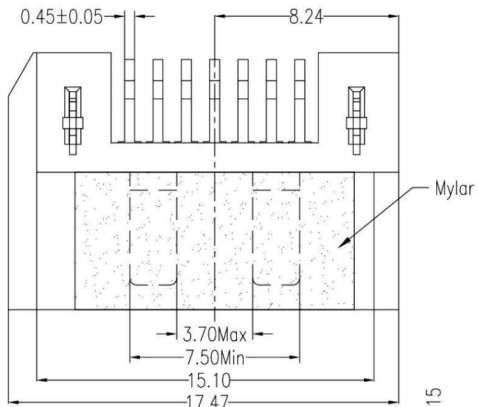
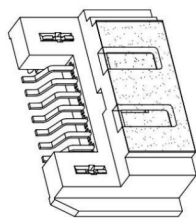


1 2 3 4 5 6 7 8

A
B
C
D
E
F
G
H

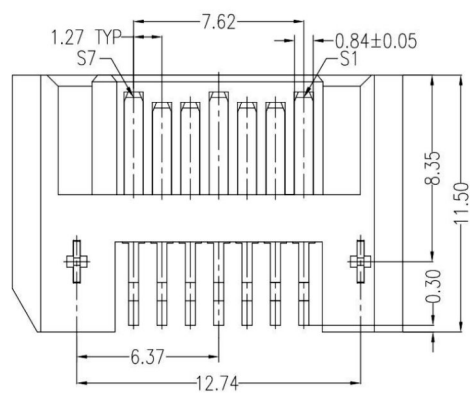
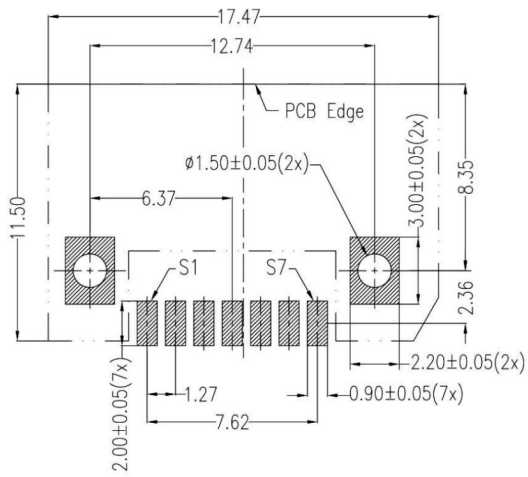
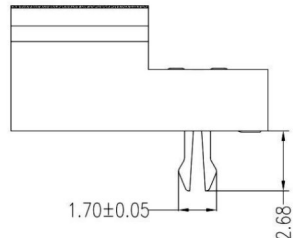
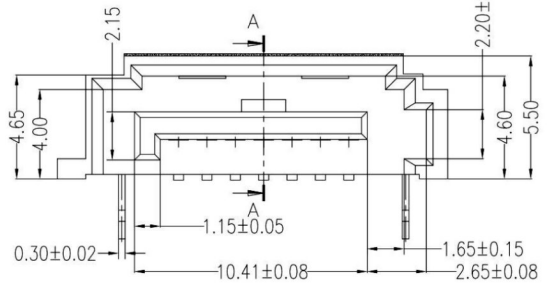
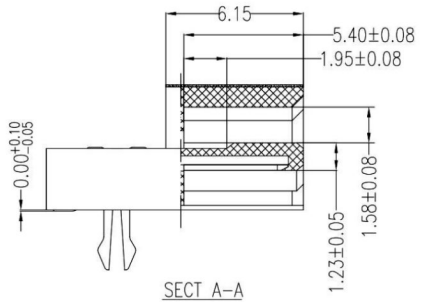
A
B
C
D
E
F
G
H



Signal Segment	
Name	Type
S1	GND
S2	A+
S3	A-
S4	GND
S5	B-
S6	B+
S7	GND

NOTES:

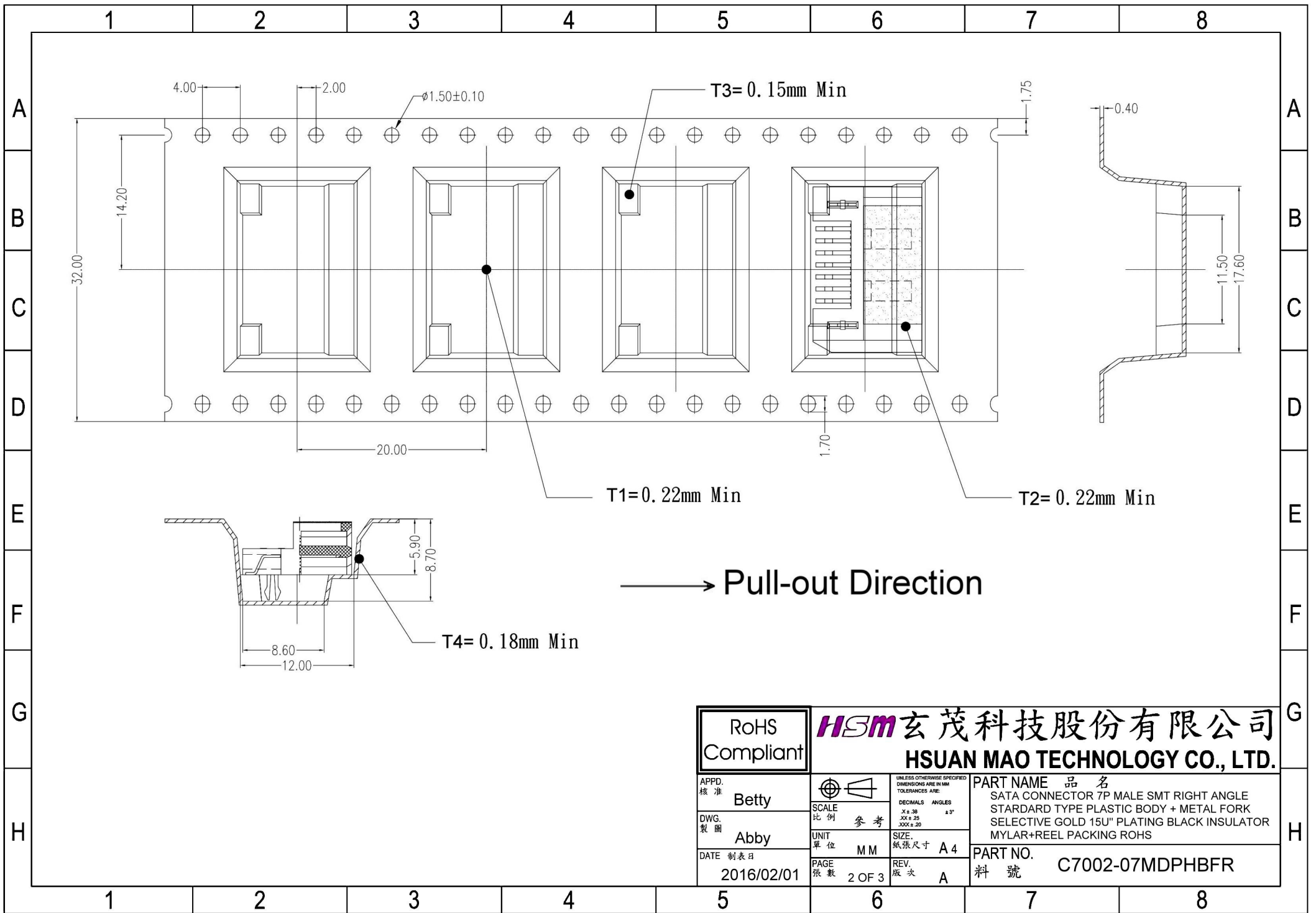
- Material:**
Housing: LCP+50%G.F, UL 94V-0 Rated.
Color: Black.
Contact: Phosphor Bronze.
Plating: Gold Plating over Nickel on Contact Area.
Tin Plating on Solder Tail.
Harpoon: Brass.
Plating: Tin Plating over Nickel.
- Mechanical:**
Insertion Force: 45N Max.
Withdrawal Force: 10N Min.
Durability: 500 Cycles.
- Electrical Specification:**
Operation Voltage: 100VAC Max.
Current Rating: 1.5 Ampere per Contact.
Contact Resistance: 30mΩ Max.
Insulation Resistance: 1000MΩ Min.
Dielectric Withstanding Voltage: 500V AC.
- Environmental:**
Operating Temperature: -55°C to +85°C



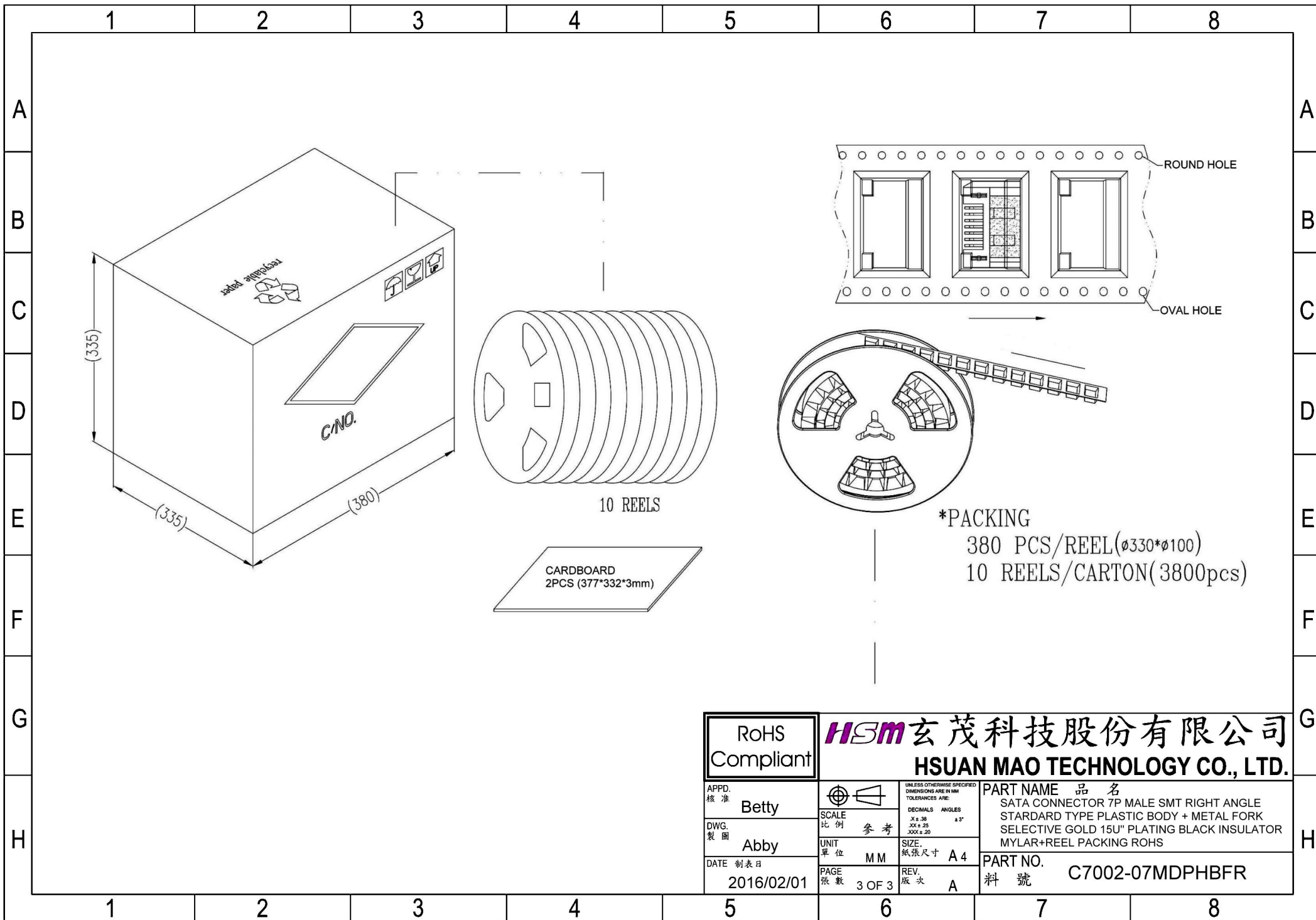
P.C.B. LAYOUT(T=1.60mm)
COMPONENT SIDE

<p>RoHS Compliant</p>		<p>HSM 玄茂科技股份有限公司 HSUAN MAO TECHNOLOGY CO., LTD.</p>	
<p>APPD. 核准 Betty</p>		<p>UNLESS OTHERWISE SPECIFIED DIMENSIONS ARE IN MM TOLERANCES ARE: DECIMALS ANGLES X ± .38 2.3° XX ± .25 XXX ± .20</p>	<p>PART NAME 品名 SATA CONNECTOR 7P MALE SMT RIGHT ANGLE STANDARD TYPE PLASTIC BODY + METAL FORK SELECTIVE GOLD 15U" PLATING BLACK INSULATOR MYLAR+REEL PACKING ROHS</p>
<p>DWG. 製圖 Abby</p>	<p>SCALE 比例 參考</p>	<p>SIZE 紙張尺寸 A 4</p>	<p>PART NO. 料號 C7002-07MDPHBFR</p>
<p>DATE 製表日 2016/02/01</p>	<p>UNIT 單位 MM</p>	<p>PAGE 張數 1 OF 3</p>	<p>REV. 版次 A</p>

1 2 3 4 5 6 7 8



RoHS Compliant		玄茂科技股份有限公司 HSUAN MAO TECHNOLOGY CO., LTD.	
APPD. 核准 Betty		<small>UNLESS OTHERWISE SPECIFIED DIMENSIONS ARE IN MM TOLERANCES ARE:</small> DECIMALS ANGLES XX ± .XX XX° ± 3° <small>XXX ± .20</small>	PART NAME 品名 SATA CONNECTOR 7P MALE SMT RIGHT ANGLE STARDARD TYPE PLASTIC BODY + METAL FORK SELECTIVE GOLD 15U" PLATING BLACK INSULATOR MYLAR+REEL PACKING ROHS
DWG. 製圖 Abby	SCALE 比例 參考 UNIT 單位 M M SIZE 紙張尺寸 A 4	PART NO. C7002-07MDPHBFR	
DATE 制表日 2016/02/01	PAGE 張數 2 OF 3	REV. 版次 A	料號



RoHS
Compliant

HSM 玄茂科技股份有限公司
HSUAN MAO TECHNOLOGY CO., LTD.

APPD.
核准
Betty

DWG.
製圖
Abby

DATE 制表日
2016/02/01

SCALE
比例 參考

UNIT
單位 MM

PAGE
張數 3 OF 3

UNLESS OTHERWISE SPECIFIED
DIMENSIONS ARE IN MM
TOLERANCES ARE:
DECIMALS ANGLES
X ± .38 2.3°
XX ± .25
XXX ± .20

SIZE
紙張尺寸 A 4

REV.
版次 A

PART NAME 品名
SATA CONNECTOR 7P MALE SMT RIGHT ANGLE
STANDARD TYPE PLASTIC BODY + METAL FORK
SELECTIVE GOLD 15U" PLATING BLACK INSULATOR
MYLAR+REEL PACKING ROHS

PART NO.
料號 C7002-07MDPHBFR