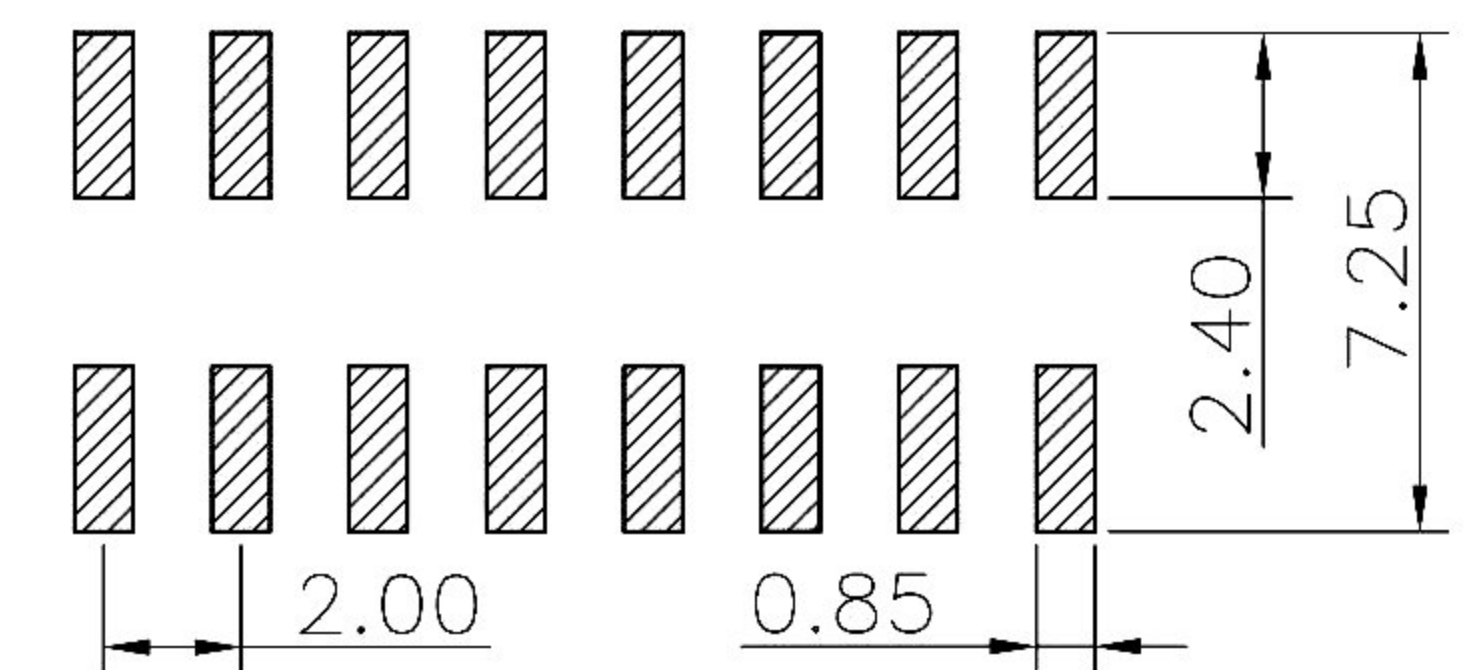
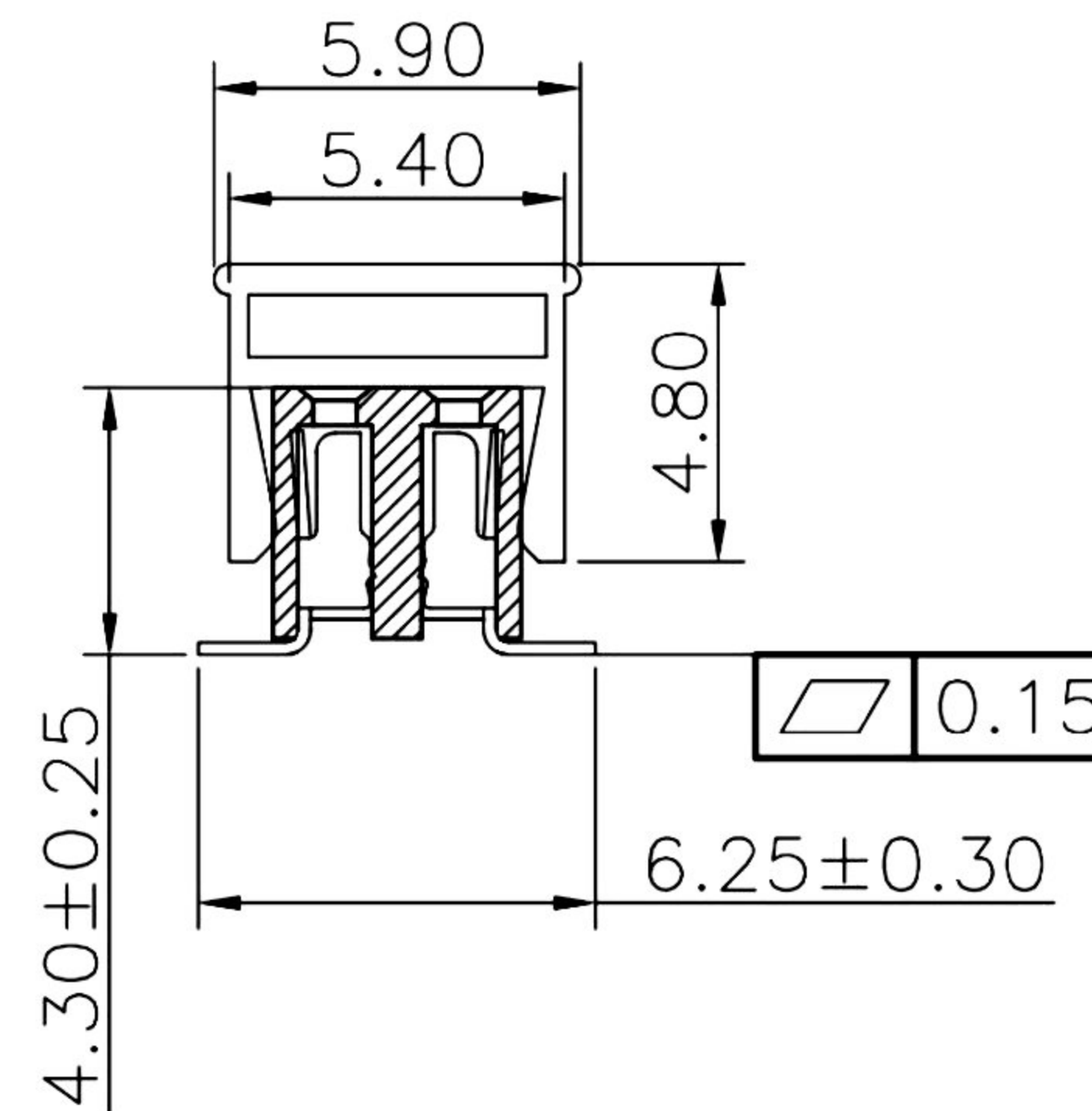
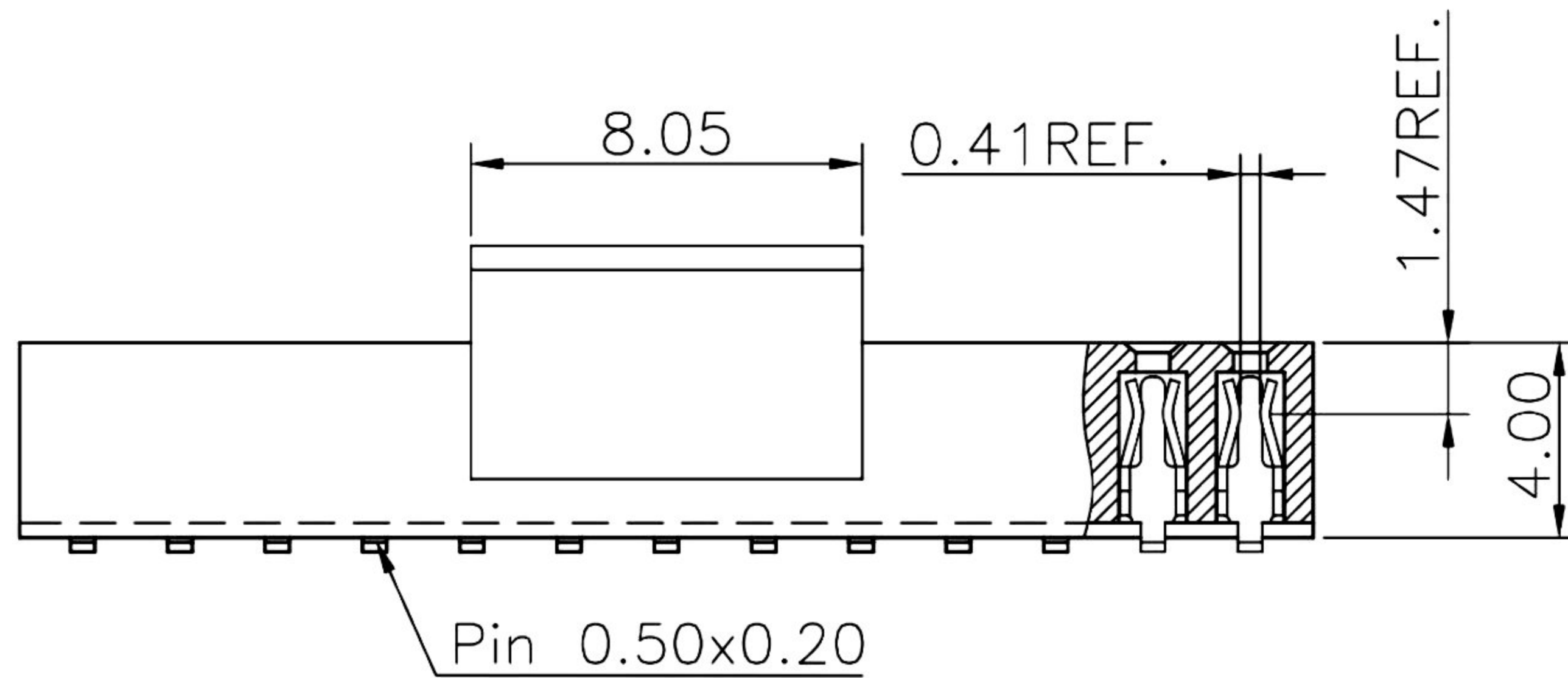
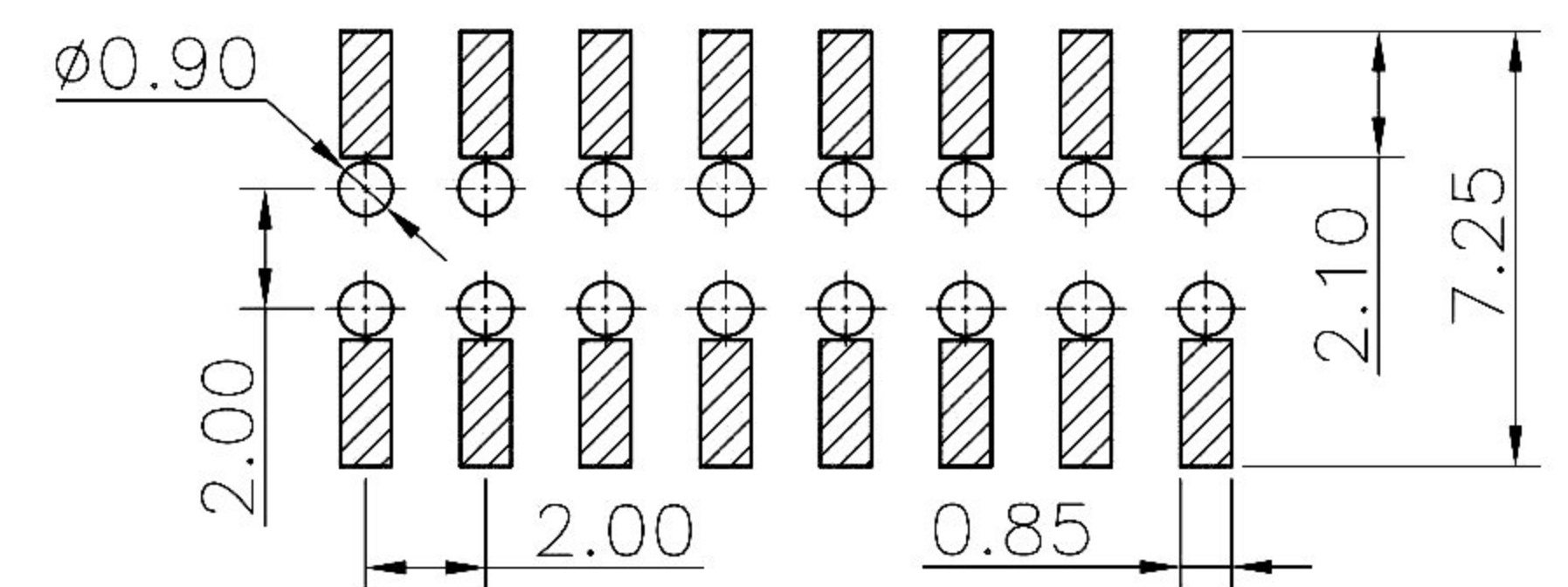


Recommended P.C.Board Layout
For Top Entry
(Tolerance: ±0.05)



Recommended P.C.Board Layout
For Bottom Entry
(Tolerance: ±0.05)



Specifications

Current Rating: 2.0Amp

Insulation Resistance: 1000MΩMin.

Dielectric Withstanding Voltage: 500VAC

Contact Resistance: 20mΩMax.

Operating Temperature: -40°C to +105°C

Materials

Contact Material: Phosphor Bronze

Insulator Material: High Temperature

Thermoplastic, UL 94V-0 Nylon 6T

RoHS Compliant		HSM 玄茂科技股份有限公司 HSUAN MAO TECHNOLOGY CO., LTD.	
APPD. 核准 HELEN	SCALE 比例 参考	TOLERANCE X. ±5.0' X. ±0.30 .X' ±3.0' X. ±0.25 .XX' ±2.0' .XX ±0.15 .XXX' ±1.0' .XXX ±0.10	PART NAME 品名 2.0mm FEMALE HEADER DUAL ROW SMT TYPE 2XXXP W/O LOCATING PEG INSULATOR HEIGHT: 4.0mm FULL GOLD PLATING ROHS
DWG. 製圖 ABBY	UNIT 單位 MM	SIZE. 紙張尺寸 A4	PART NO. 料號 C6802-XXBDGHNXR
DATE 制表日 2015/03/25	PAGE 張數 1 OF 1	REV. 版次 B	