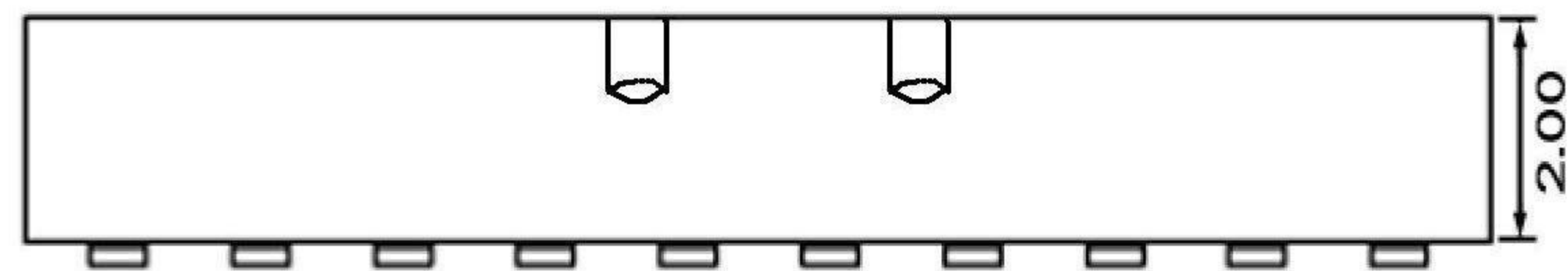
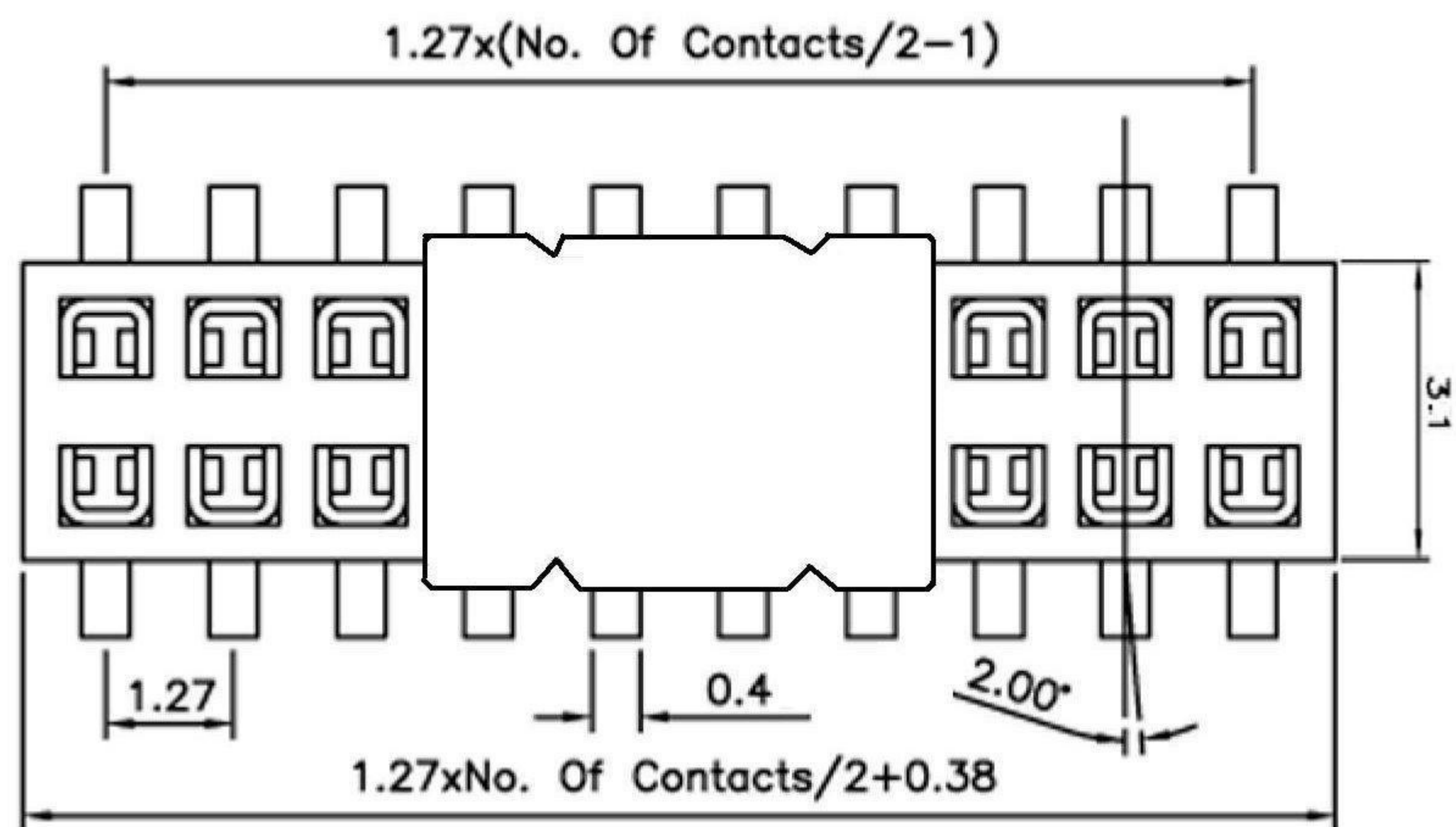
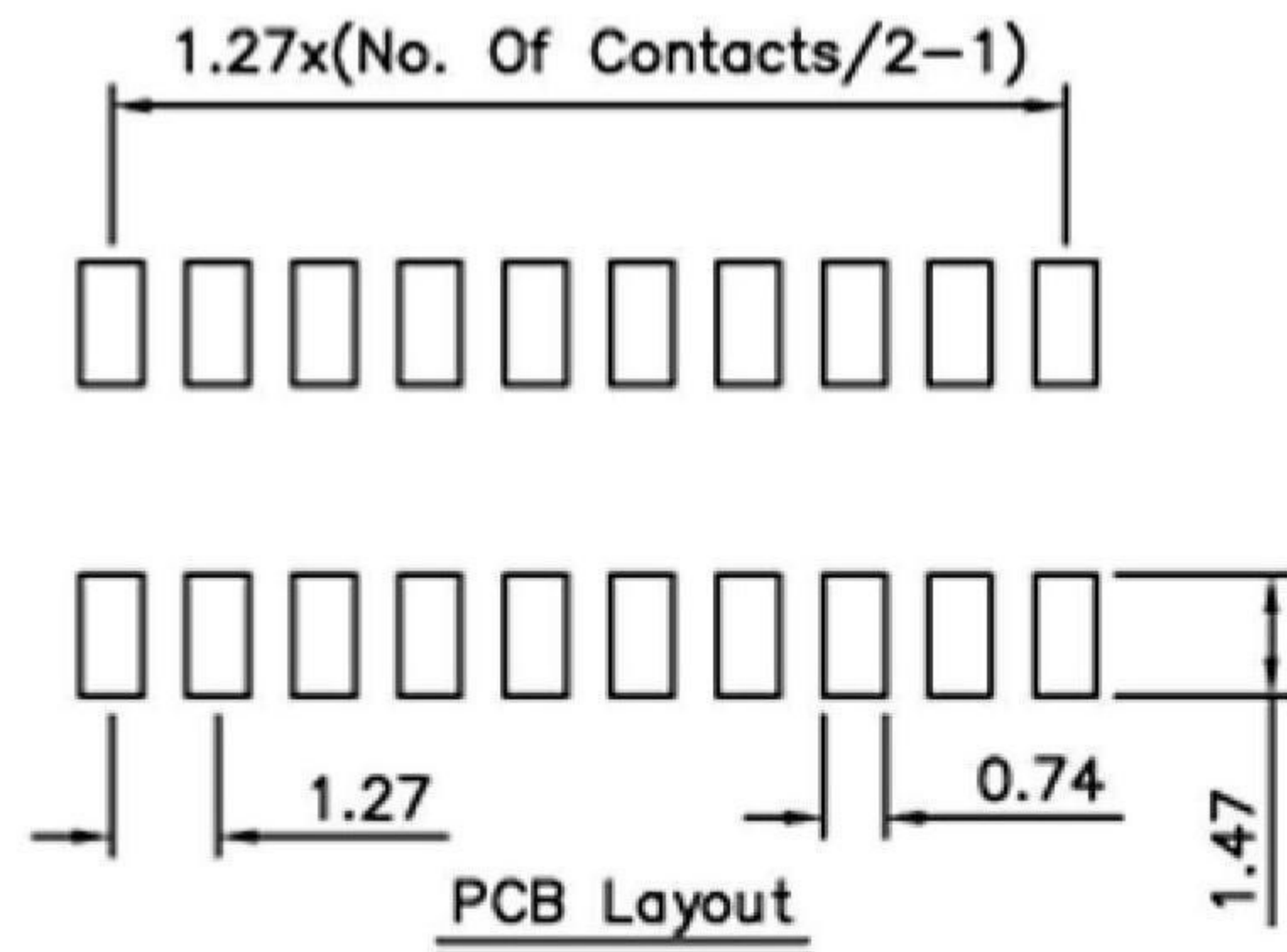


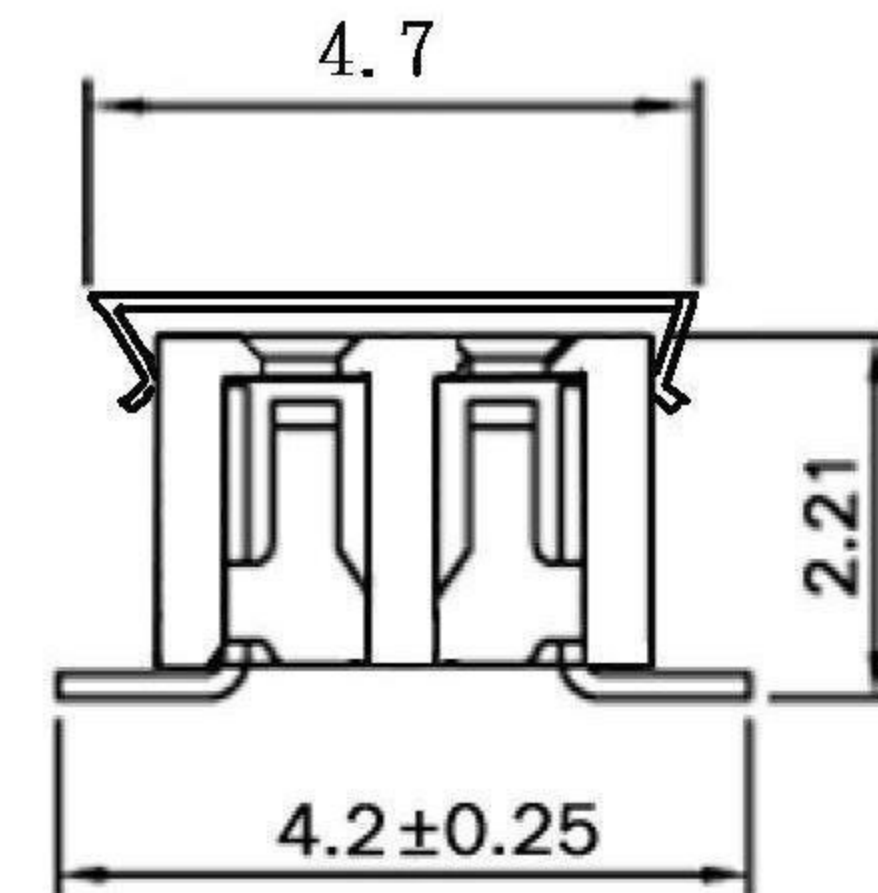
Cir- cuits	Dimension (mm)	
	L1	L2
2x3	2.54	4.21
2x4	3.81	5.48
2x5	5.08	6.75
2x6	6.35	8.02
2x7	7.62	9.29
2x8	8.89	10.56
2x9	10.16	11.83
2x10	11.43	13.10
2x11	12.70	14.37
2x12	13.97	15.64
2x13	15.24	16.91
2x14	16.51	18.18
2x15	17.78	19.45
2x16	19.05	20.72
2x17	20.32	21.99
2x18	21.59	23.26
2x19	22.86	24.53
2x20	24.13	25.80
2x21	25.40	27.07
2x22	26.67	28.34
2x23	27.94	29.61
2x24	29.21	30.88
2x25	30.48	32.15
2x26	31.75	33.42
2x27	33.02	34.69
2x28	34.29	35.96
2x29	35.56	37.23
2x30	36.83	38.50
2x31	38.10	39.77
2x32	39.37	41.04
2x33	40.64	42.31
2x34	41.91	43.58
2x35	43.18	44.85
2x36	44.45	46.12
2x37	45.72	47.39
2x38	46.99	48.66
2x39	48.26	49.93
2x40	49.53	51.20
2x41	50.80	52.47
2x42	52.07	53.74
2x43	53.34	55.01
2x44	54.61	56.28
2x45	55.88	57.55
2x46	57.15	58.82
2x47	58.42	60.09
2x48	59.69	61.36
2x49	60.96	62.63
2x50	62.23	63.90



SPECIFICATIONS

Current Rating:1 Amp
 Insulator Resistance:5000 Megaohms Min.
 Dielectric Withstanding:AC 500V
 Operating Temperature:-40°C~+105°C
 Max. Processing Temp.:230°C For 30~60 Seconds
 (260°C For 10 Seconds)

Contact:Phosphor Bronze
 Housing:LCP(UL 94V-0)
 RoHS Compliant



C	4829	—	06	B	D	G	H	N	T	R
1	2		3	4	5	6	7	8	9	10

- | | | | |
|---------------------------------------|-------------------------------------|---------------------------------|---------------------------------------|
| 1. PRODUCTS:
C:Connector | 5. CONTACT TYPE:
D:S.M.T. | 7. INSULATOR HEIGHT:
H:2.0mm | 8. BODY OPTION:
N:W/O Locating Peg |
| 2. SERIES NO.:
4829 | 6. CONTACT PLATING:
G:Gold Flash | | 9. OTHERS:
T:Tube Packing |
| 3. CONTACT NO.:
06 (2x3)-60 (2x30) | | | R:Reel Packing |
| 4. ROW TYPE:
B: Dual Rows | | | P:PAD+Tube Packing |
| | | | Q:PAD+Reel Packing |
| | | | C:Film+Tube Packing |
| | | | 10. R:ROHS |

RoHS
Compliant

HSM 玄茂科技股份有限公司
HSUAN MAO TECHNOLOGY CO., LTD.

APPD. 核准 HELEN	TOLERANCE 容許公差 .X ±0.35 .XX ±0.25 .XXX ±0.05	PART NAME 品名 1.27 X 1.27mm FEMALE HEADER DUAL ROW H:2.0mm 2XXXP SMT UPPER ENTRY TYPE W/O LOCATING PEGS W/PAD ROHS
DWG. 製圖 ABBY		
DATE 制表日 2012/05/04	SCALE 比例 參考 UNIT 單位 MM PAGE 張數 1 OF 1	REV. 版次 A

PART NO. 料號 C4829-XXBDXHNXR
