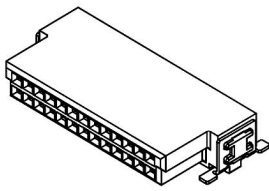
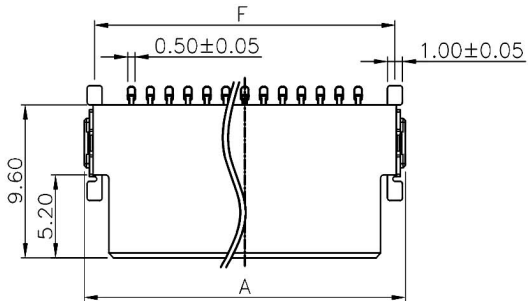


1 2 3 4 5 6 7 8

A
B
C
D
E
F
G
H

A
B
C
D
E
F
G
H

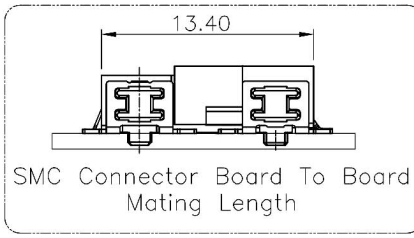
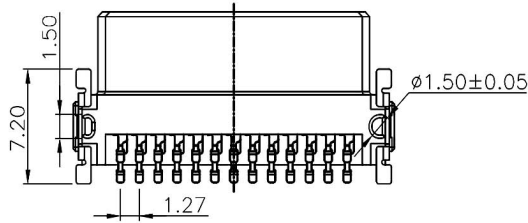
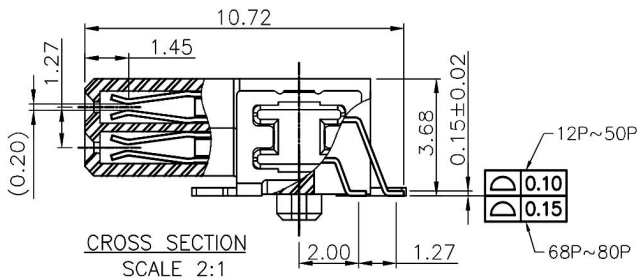
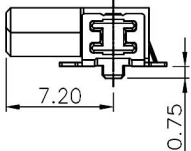
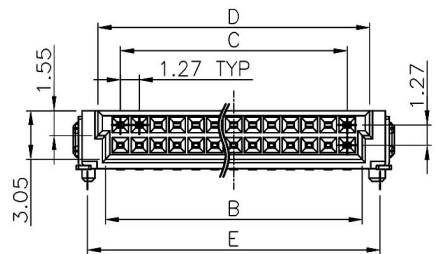


Material:

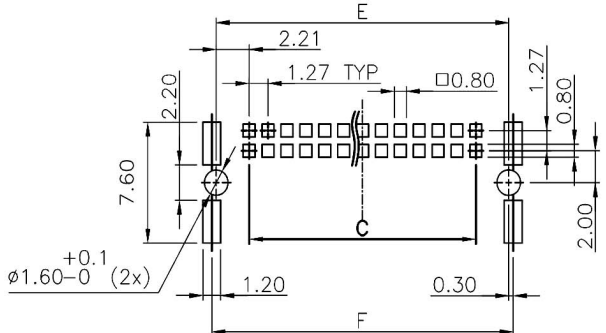
Housing: LCP,UL94V-0.
 Contacts: Phosphor Bronze, Gold Plated on Contact Area and 100u" Tin Plated on Solder Tail over Nickel 50~80u".
 Lock: Brass,100u" Tin Plated over Nickel 40u".

Electrical Characteristics:

Current Rating: 1.7 AMP.
 Dielectric Withstanding Voltage: AC 500V.
 Insulation Resistance: 1000MΩ min.
 Contact Resistance: 25mΩ max.
 Operating Temperature: -55°C~+125°C.



Pin No.	A	B	C	D	E	F
12	12.70	8.37	6.35	9.37	10.77	11.34
16	15.24	10.91	8.89	11.91	13.31	13.88
20	17.78	13.45	11.43	14.45	15.85	16.42
26	21.59	17.26	15.24	18.26	19.66	20.23
30	24.13	19.80	17.78	20.80	22.20	22.77
32	25.40	21.07	19.05	22.07	23.47	24.04
40	30.48	26.15	24.13	27.15	28.55	29.12
50	36.83	32.50	30.48	33.50	34.90	35.47
68	48.26	43.93	41.91	44.93	46.33	46.90
80	55.88	51.55	49.53	52.55	53.95	54.52



P.C.B. Layout

RoHS Compliant		玄茂科技股份有限公司 HSUAN MAO TECHNOLOGY CO., LTD.	
APPD. 核准	SCALE 比例	Tolerances x. = ±0.50 .x = ±0.25 .xx = ±0.15	PART NAME 品名 1.27mm SMC Connector XXPin(2XXXP) Female SMT Right Angle Type With Locating Peg Selective Gold Plating Black Color Reel Packing ROHS
DWG. 製圖	UNIT 單位	SIZE. 紙張尺寸	PART NO.
DATE 制表日	PAGE 張數	REV. 版次	料號
2019/08/27	1 OF 1	A	C4300-XXFBYSR0R
Betty			

1 2 3 4 5 6 7 8