

Material:

Housing: High Temperature Plastic UL94V-0.

Contacts: Brass.

Electrical Characteristics:

Current Rating: 1 AMP.

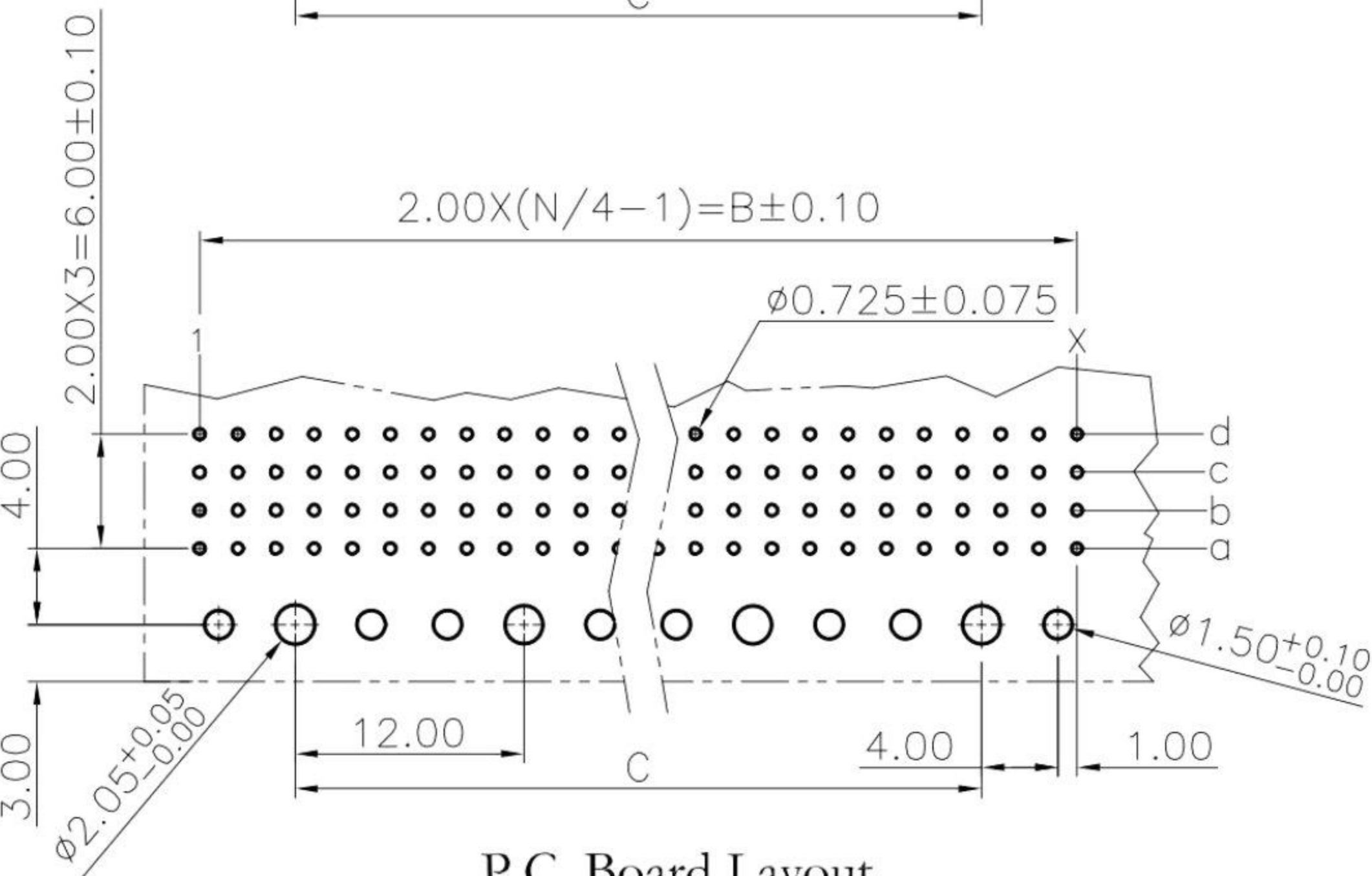
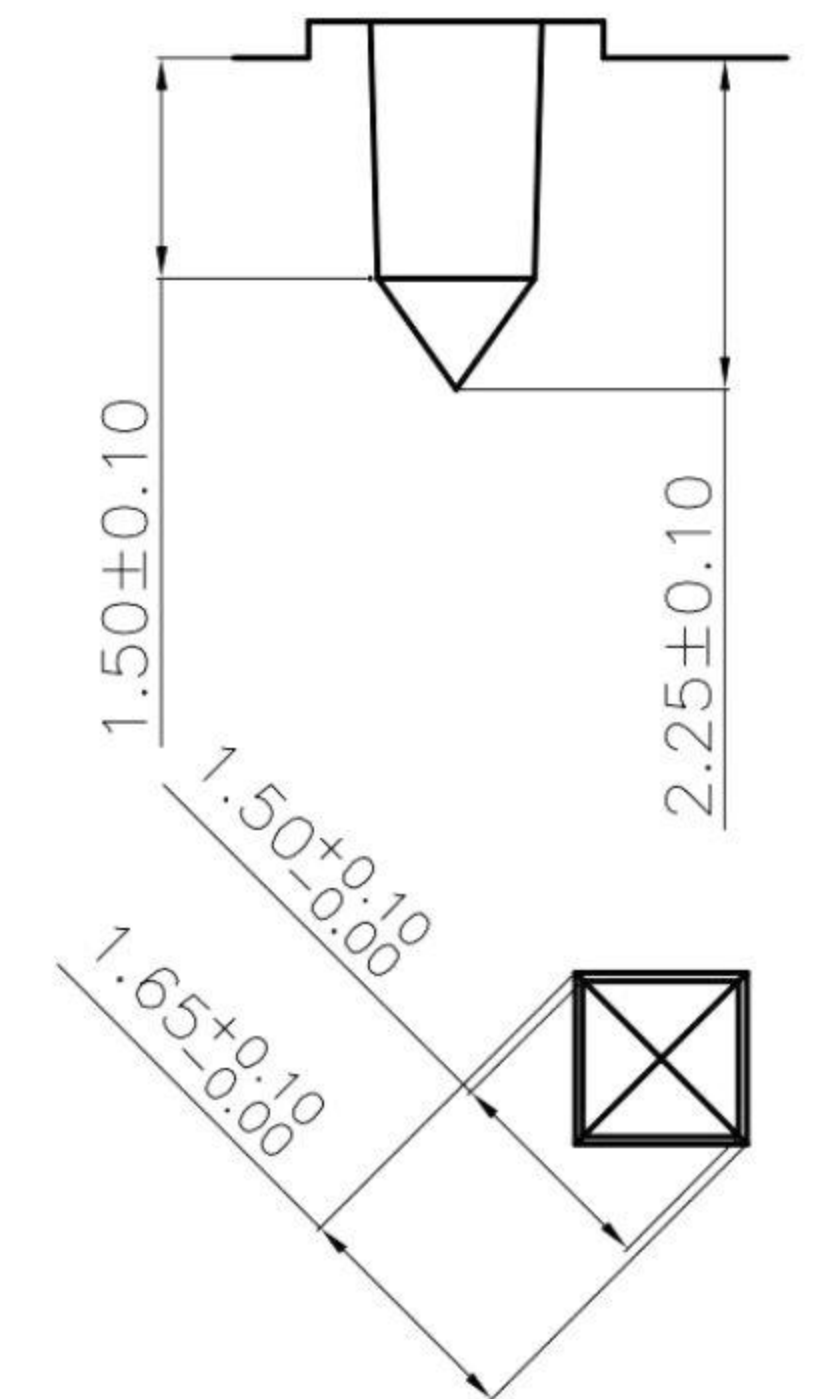
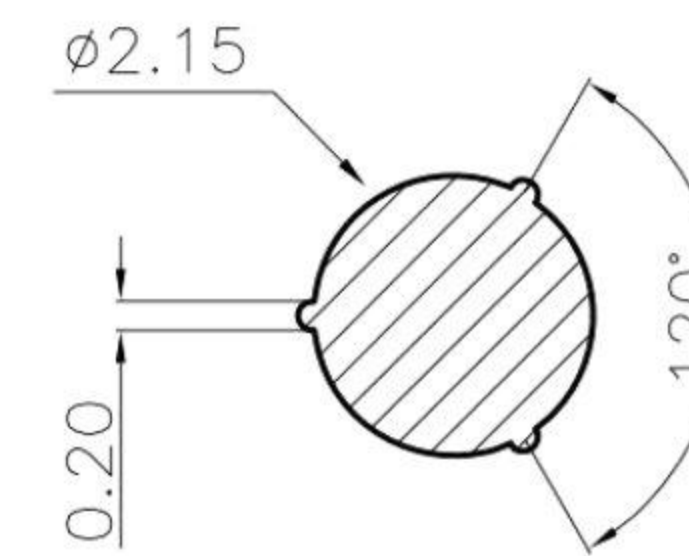
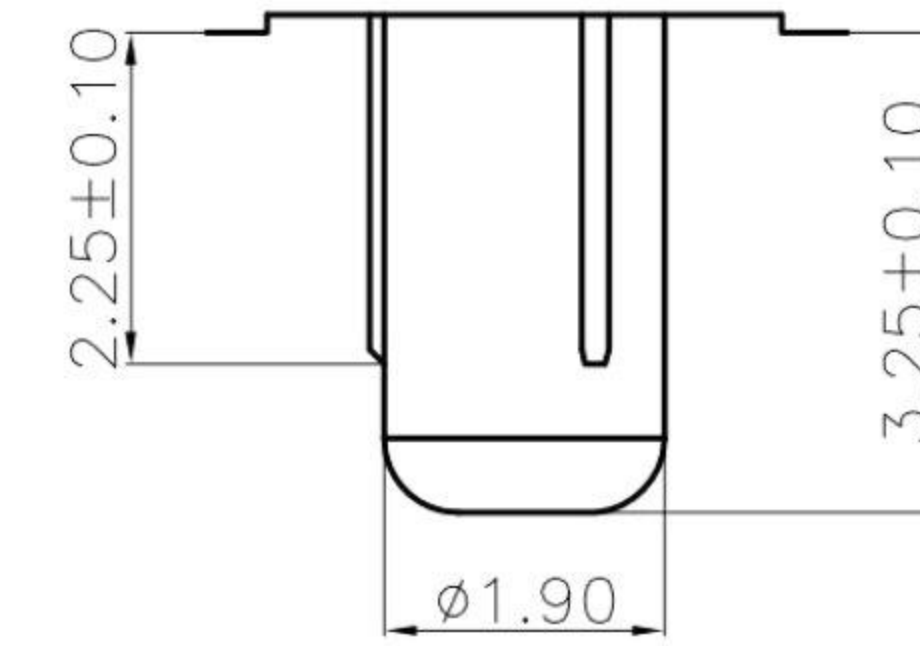
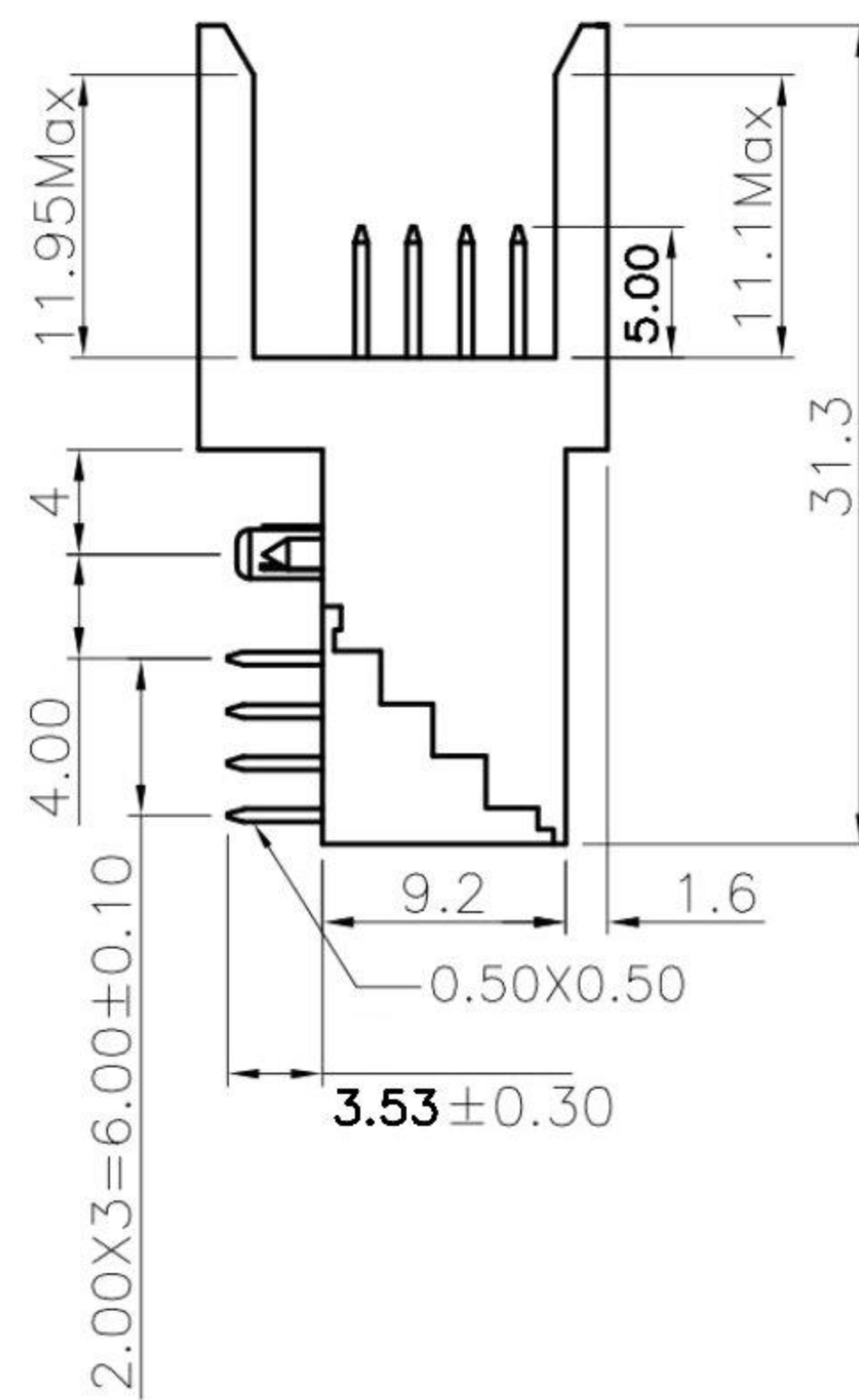
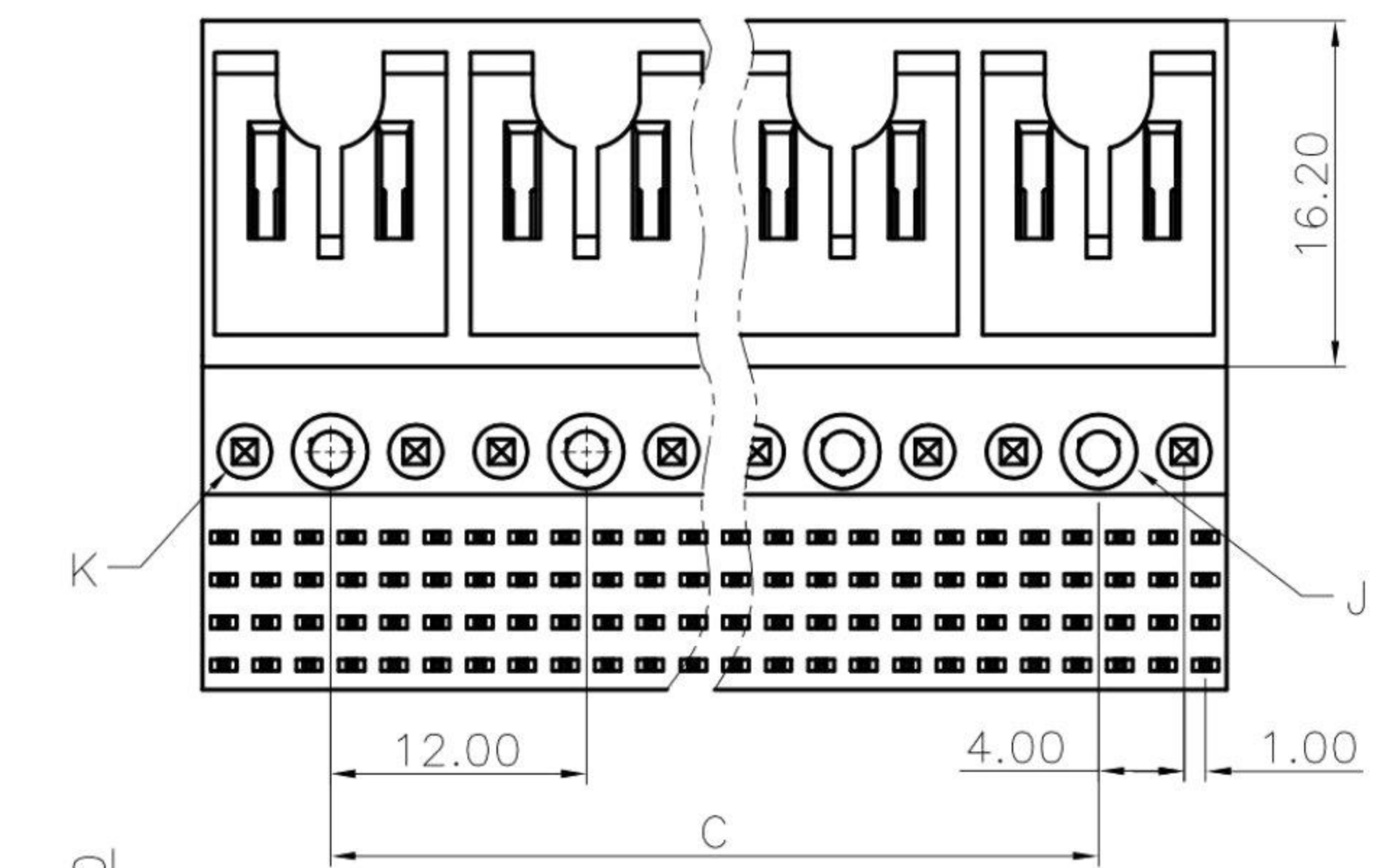
Dielectric Withstanding Voltage: AC 1000V For 1 minute.

Insulator Resistance: 1000MΩ min. at DC 500V.

Contact Resistance: 30mΩ max. at DC 100mA.

Operating Temperature: -65°C ~ +125°C .

***RoHS Compliant**



P.C. Board Layout
(Tolerance: ±0.05)

Position	A	B	C
24	11.95	10.0	0.0
48	23.95	22.0	12.0
72	35.95	34.0	24.0
96	47.95	46.0	36.0
120	59.95	58.0	48.0
144	71.95	70.0	60.0
168	83.95	82.0	72.0
192	95.95	94.0	84.0

RoHS
Compliant

HSM 玄茂科技股份有限公司
HSUAN MAO TECHNOLOGY CO., LTD.

APPD. 核准 HELEN
DWG. 製圖 ABBY
DATE 制表日 2012/07/25

TOLERANCE 容許公差
x = ±0.5
.x = ±0.25
.xx = ±0.15
SCALE 比例 參考
UNIT 單位 MM
PAGE 張數 1 OF 1
REV. 版次 A

PART NAME 品名
2.0mm H.D. FUTUREBUS 4 ROW 24P
MALE SIGNAL RIGHT ANGLE DIP TYPE
CONTACT LENGTH: 5.0mm DIP LENGTH: 3.53mm
SELECTIVE GOLD 10U" PLATING TUBE PACKING ROHS
PART NO. 料號 C4200-XXMRVFDTR