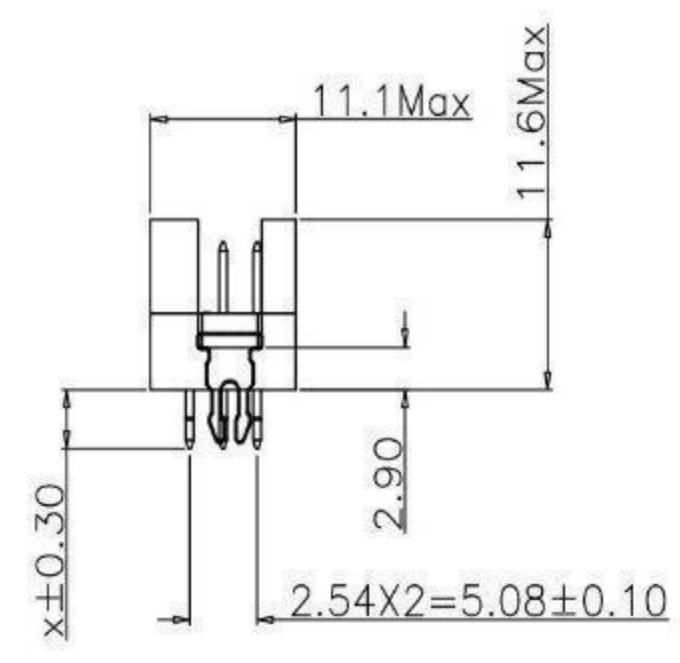
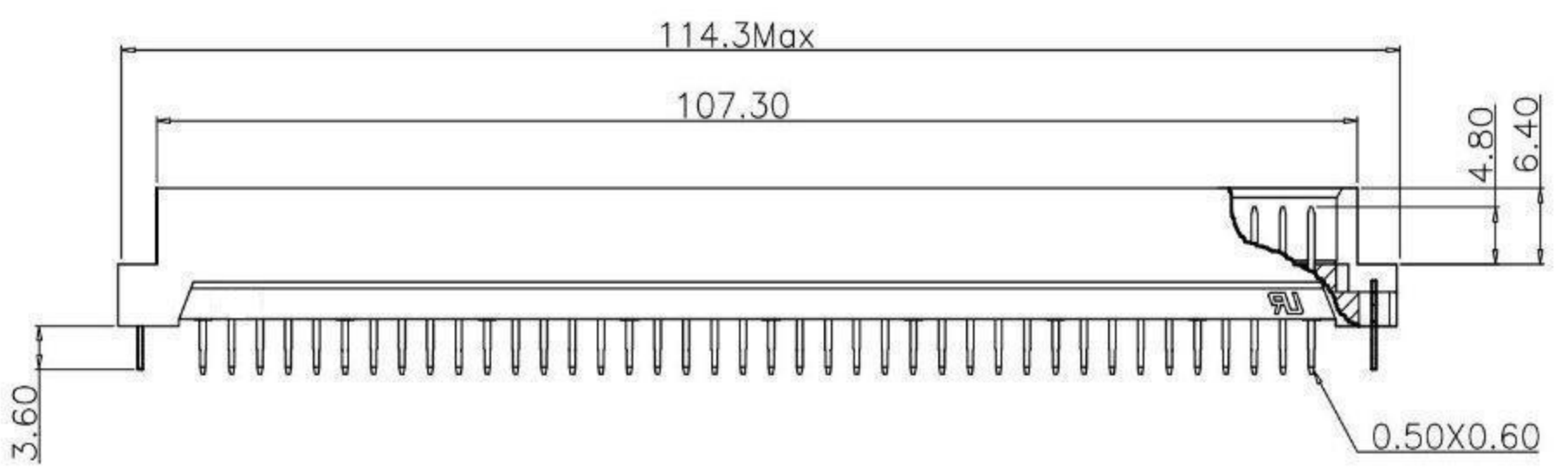


**Material:**

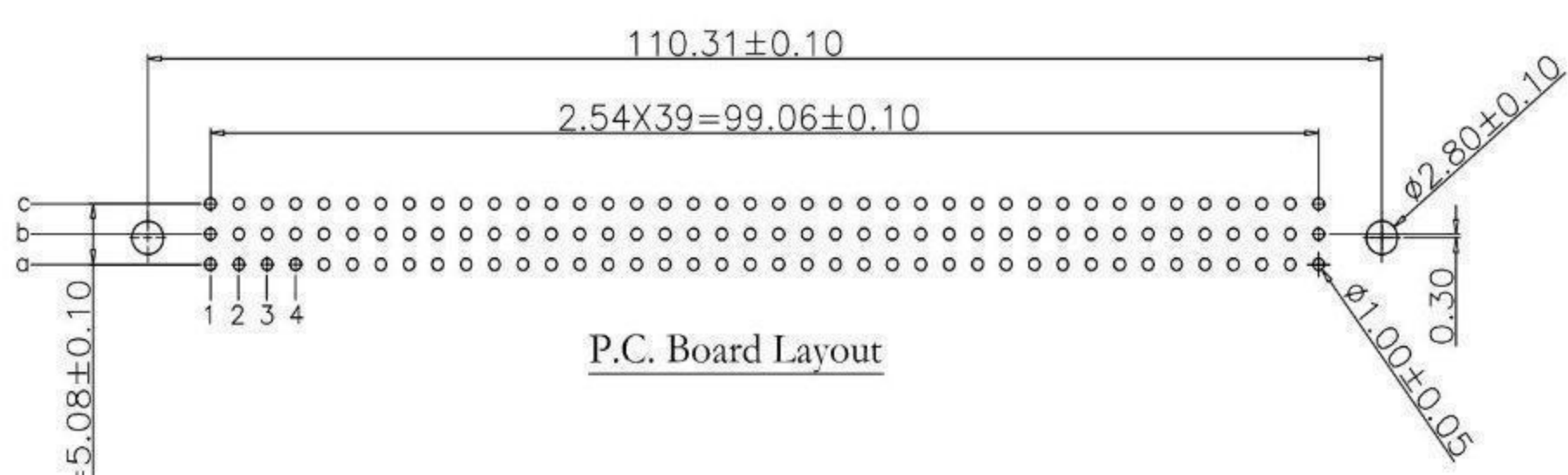
Housing: 30% Glass filled PBT UL94V-0.  
 Contacts: Brass.  
 Lock: Phosphor Bronze.

**Electrical Characteristics:**

Current Rating: 2 AMP.  
 Dielectric Withstanding Voltage: AC 1000V For 1 minute.  
 Insulator Resistance: 1000MΩ min. at DC 500V.  
 Contact Resistance: 30mΩ max. at DC 100mA.  
 Operating Temperature: -55°C ~+105°C .



Length	
X	4.0



Pitch	Position	Rows with Contacts	Contact Arrange
2.54mm	120	a b c	

RoHS Compliant **HSM** 玄茂科技股份有限公司  
 HSUAN MAO TECHNOLOGY CO., LTD.

APPD. 核准 BETTY	 SCALE 比例 参考 UNIT 單位 MM PAGE 張數 1 OF 1	TOLERANCE x = ±0.5 .x = ±0.25 .xx = ±0.15	PART NAME 品名 DIN41612 2.54mm DIP TYPE 180°120P SIZE-A+B+C 120P MALE DIP LENGTH:4.0mm SELECTIVE GOLD PLATING ROHS
DWG. 製圖 KAREN		SIZE 紙張尺寸 A4	
DATE 制表日 2012/06/18		REV. 版本 A	PART NO. 料號 C4165-C0MCDSS0R