

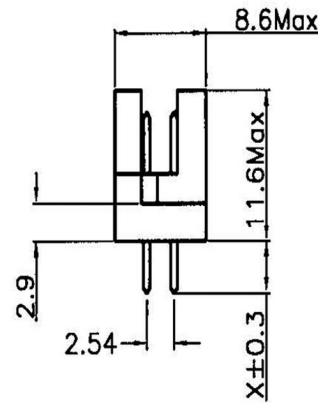
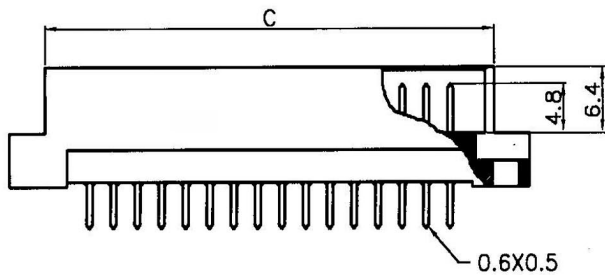
**Material:**

Housing: 30% Glass filled PBT UL94V-0.  
Contacts: Brass.

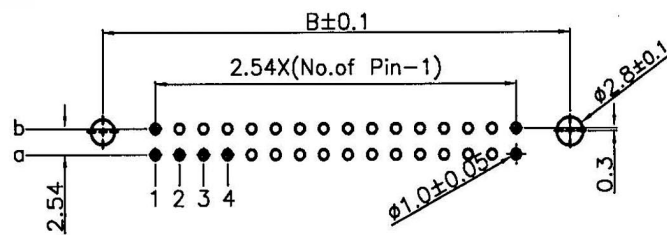
**Electrical Characteristics:**

Current Rating: 2 AMP.  
Dielectric Withstanding Voltage: AC 1000V For 1 minute.  
Insulator Resistance: 1000MΩ min. at DC 500V.  
Contact Resistance: 30mΩ max. at DC 100mA.  
Operating Temperature: -55°C~+105°C .

**\*RoHS Compliant**



X length	1	2	W1	W2
	4.0	2.5	13	17
Position	A	B	C	D
20/10	39.76	34.12	32.16	29.36
Pitch	Position	Rows with Contacts	Contact Arrange	
2.54mm	20	a b		
	10	a -		



P.C. Board Layout

RoHS Compliant	玄茂科技股份有限公司 HSUAN MAO TECHNOLOGY CO., LTD.		
	APPD. 核准 <b>BETTY</b>		TOLERANCE <b>x = ±0.5</b> <b>.x = ±0.25</b> <b>.xx = ±0.15</b>
DWG. 製圖 <b>BETTY</b>	SCALE 比例 參考	UNIT 單位 M M	SIZE. 紙張尺寸 A 4
DATE 制表日 2008/05/07	PAGE 張數 1 OF 1	REV. 版次 A	PART NO. 料號 C4162-XXMXCXS0R