

Material:

Housing: Thermoplastic Polyester Glass Filled UL94V-0.

Contacts: Copper Alloy.

Electrical Characteristics:

Current Rating: 2 AMP.

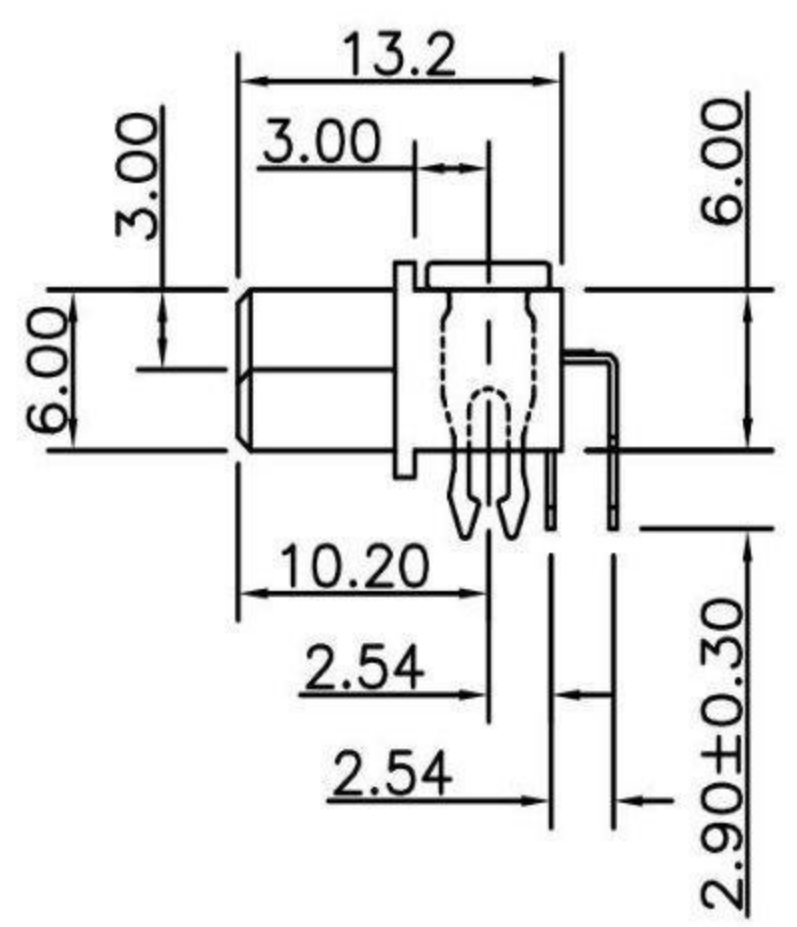
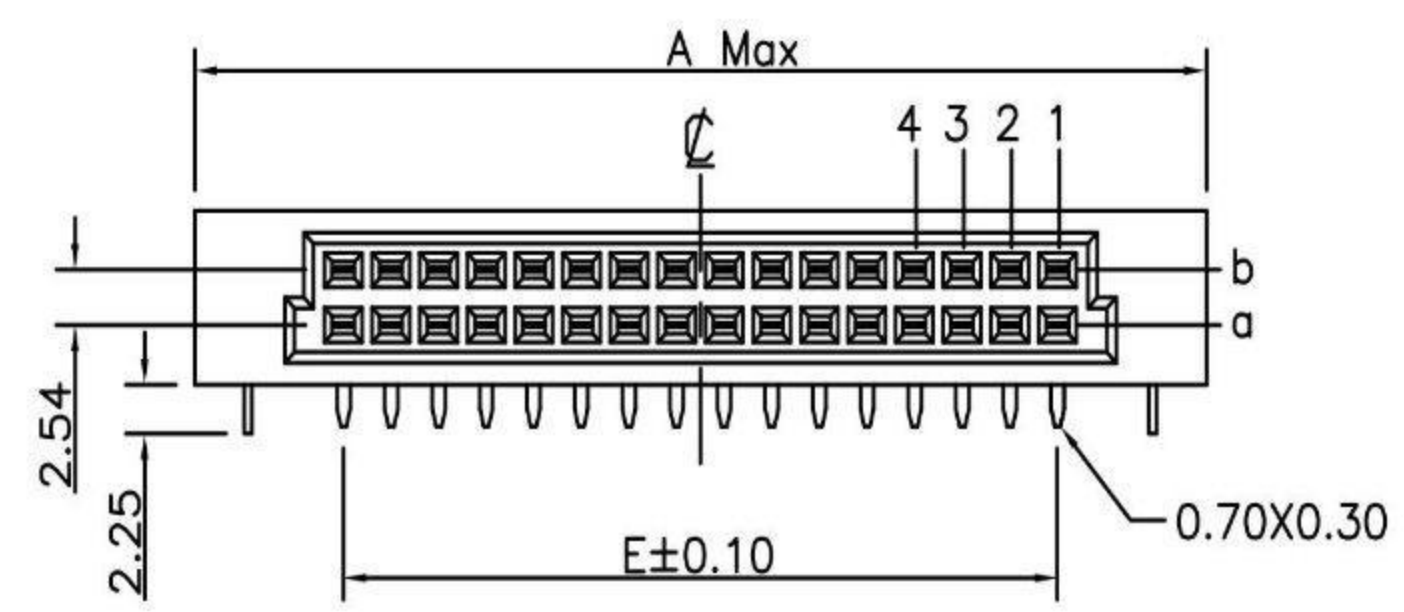
Dielectric Withstanding Voltage: AC1000V For 1 minute.

Insulator Resistance: 1000MΩ min. at DC 500V.

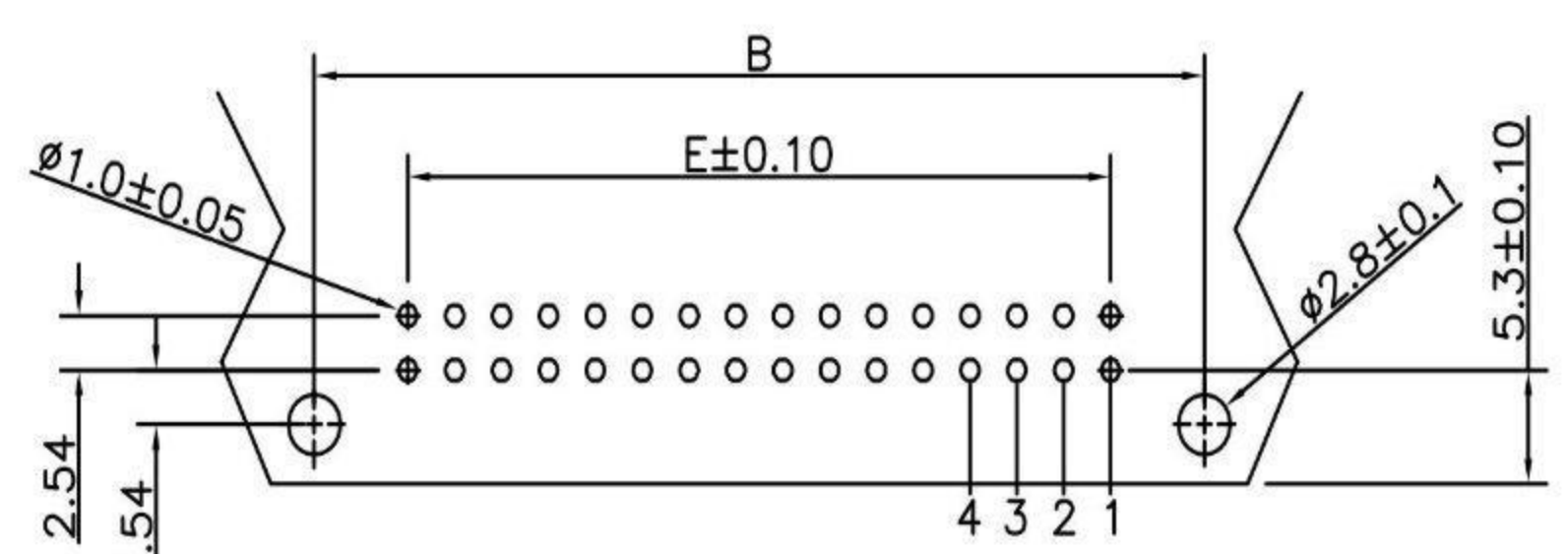
Contact Resistance: 20mΩ max. at DC 100mA.

Operating Temperature: -55°C ~+125°C.

A	B	C	D	E
54.0	48.26	42.36	44.36	38.1



Contact Arrange	Rows With Contacts	Position	Pitch
	a b	32	2.54mm
	a -	16	
	a b	16	5.08mm
	a -	8	



P.C. Board Layout

RoHS
Compliant

HSM 玄茂科技股份有限公司
HSUAN MAO TECHNOLOGY CO., LTD.

APPD. 核准 BETTY
DWG. 製圖 KAREN
DATE 制表日 2012/08/22

TOLERANCE
x = ±0.5
.x = ±0.25
.xx = ±0.15
SCALE 比例 參考
UNIT 單位 MM
PAGE 張數 1 OF 1
REV. 版本 B

PART NAME 品名
DIN41612 2.54mm DIP TYPE 90° DUAL ROW BODY
32P SIZE-A+B 32P FEMALE W/BOARDLOCK SHORT
BODY SELECTIVE GOLD PLATING ROHS
PART NO.
料號 C4162-32BCBRS0R