

1

2

3

4

5

6

7

8

A

B

C

D

E

F

G

H

A

B

C

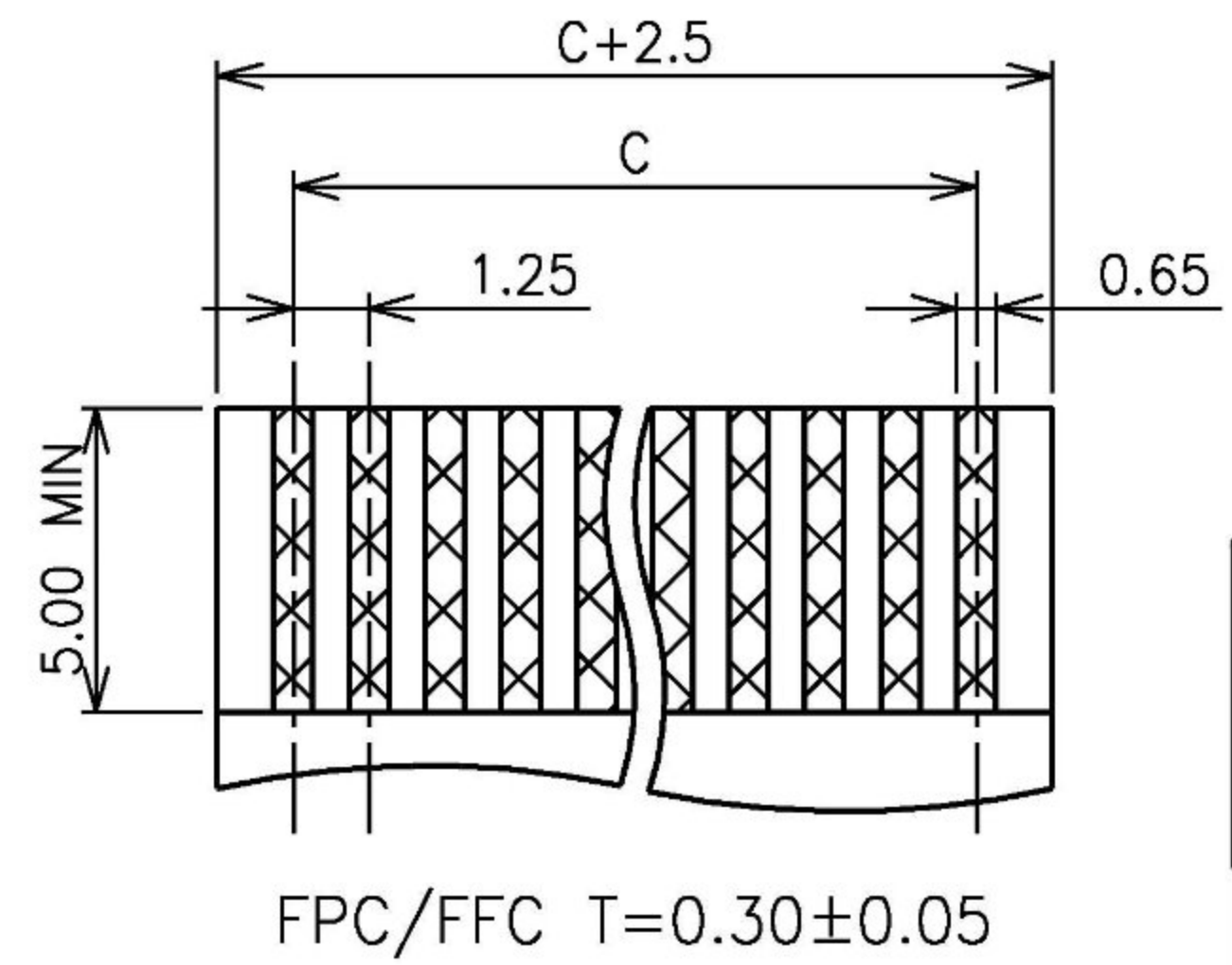
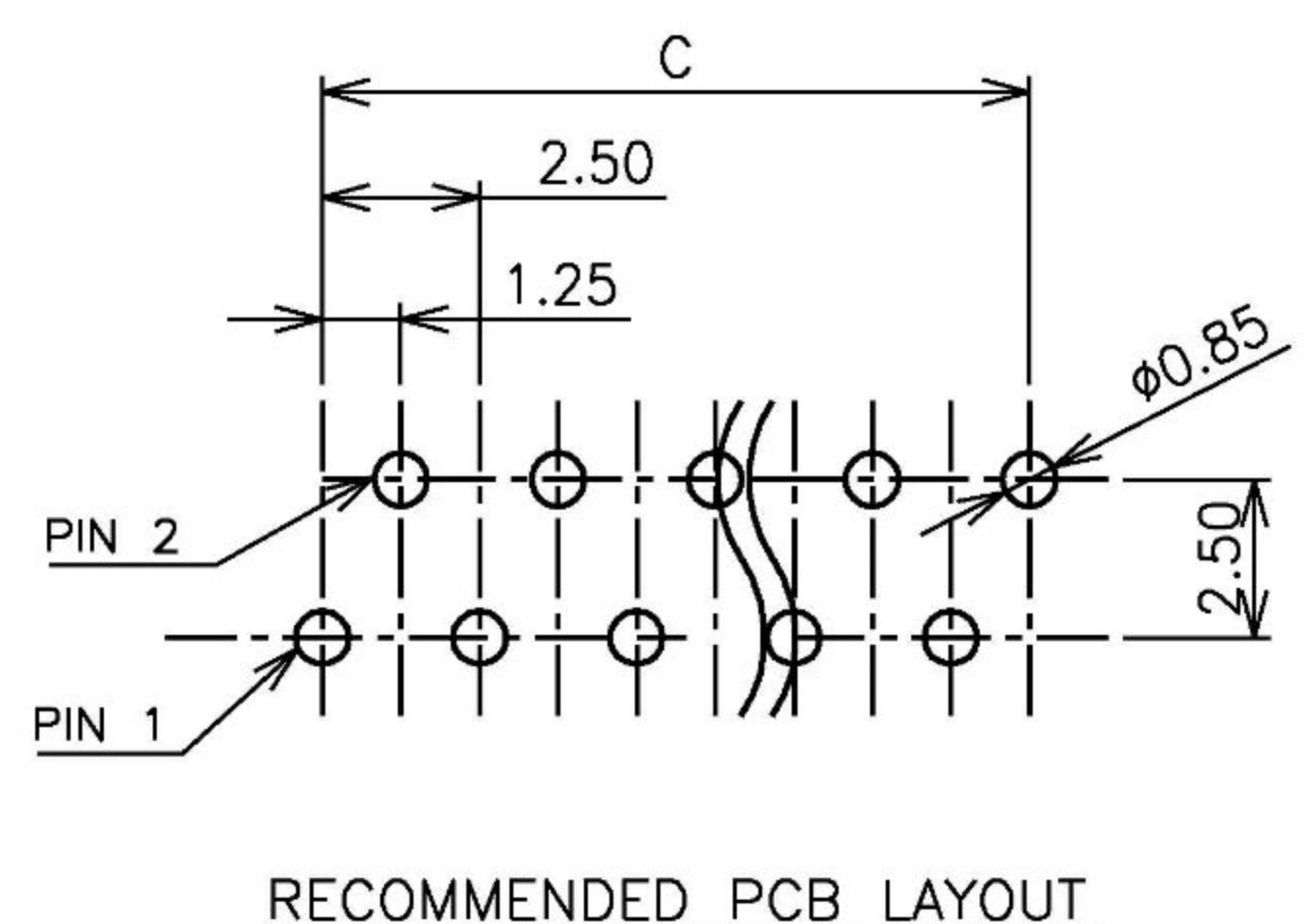
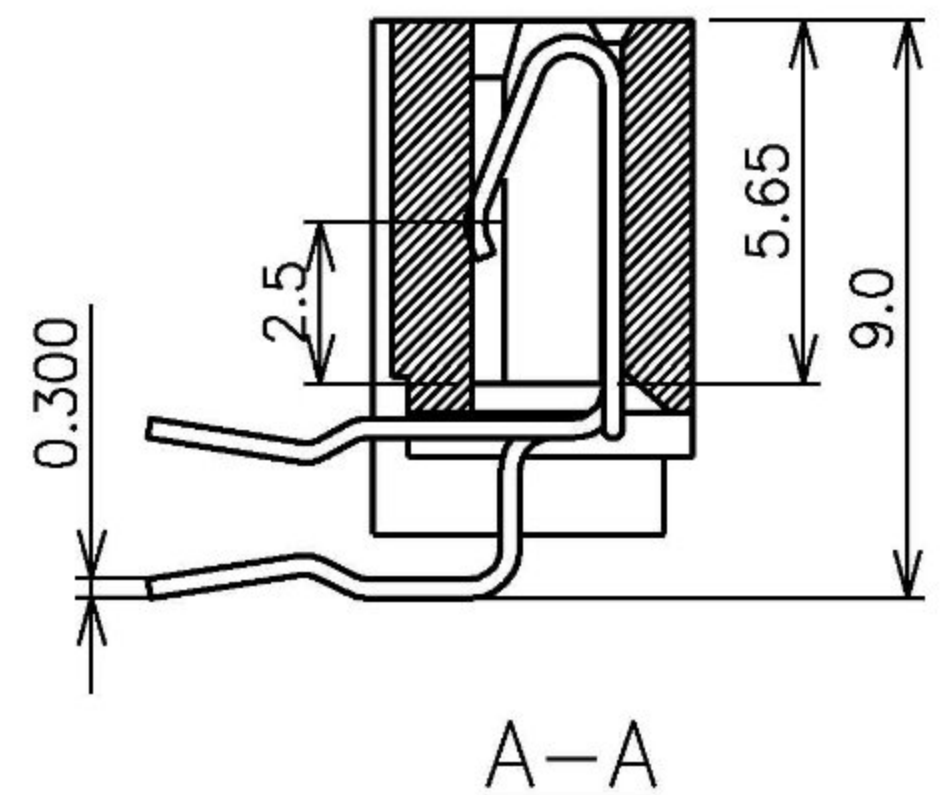
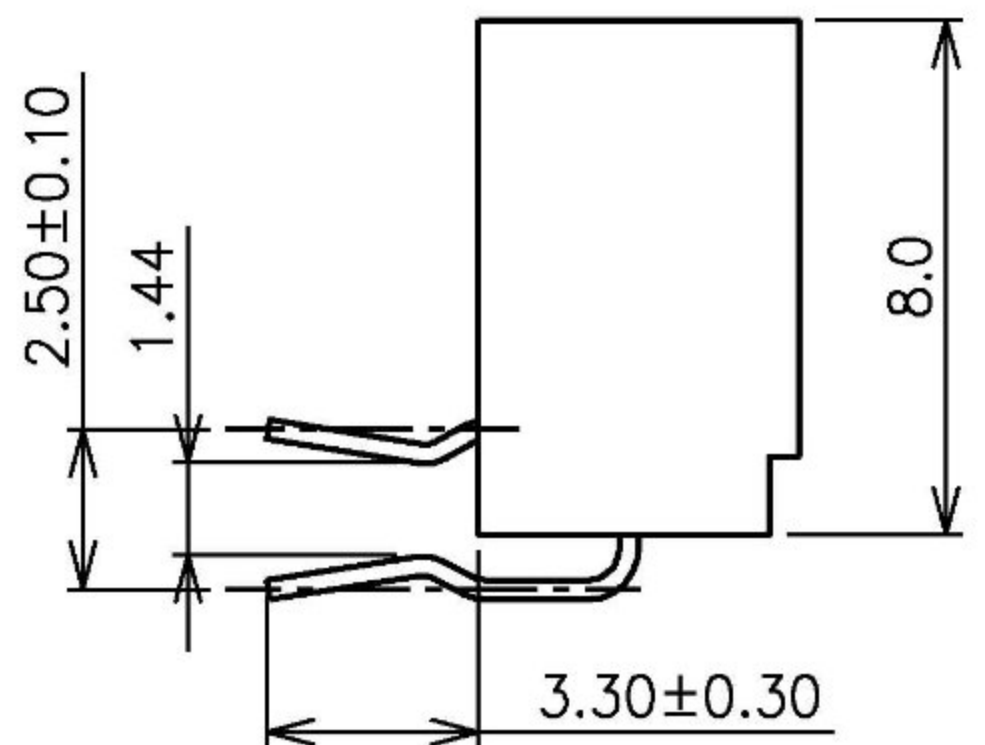
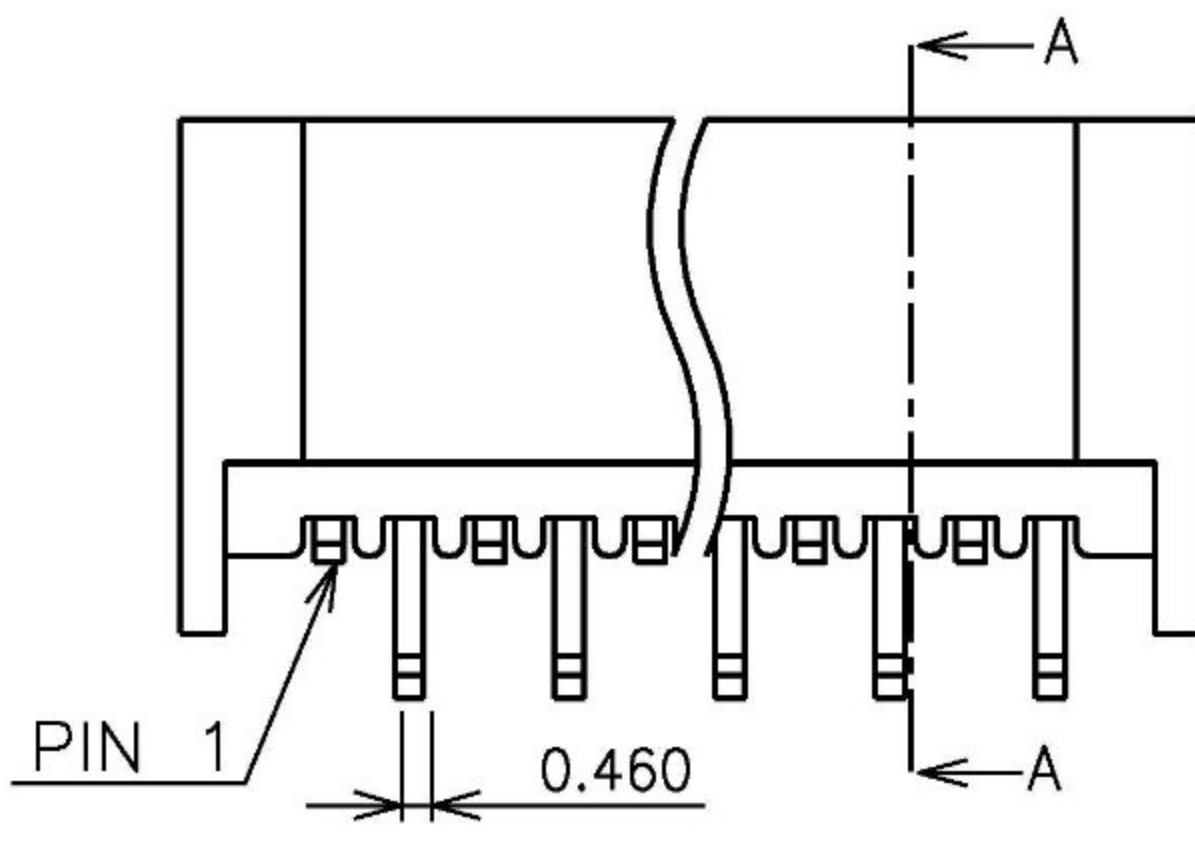
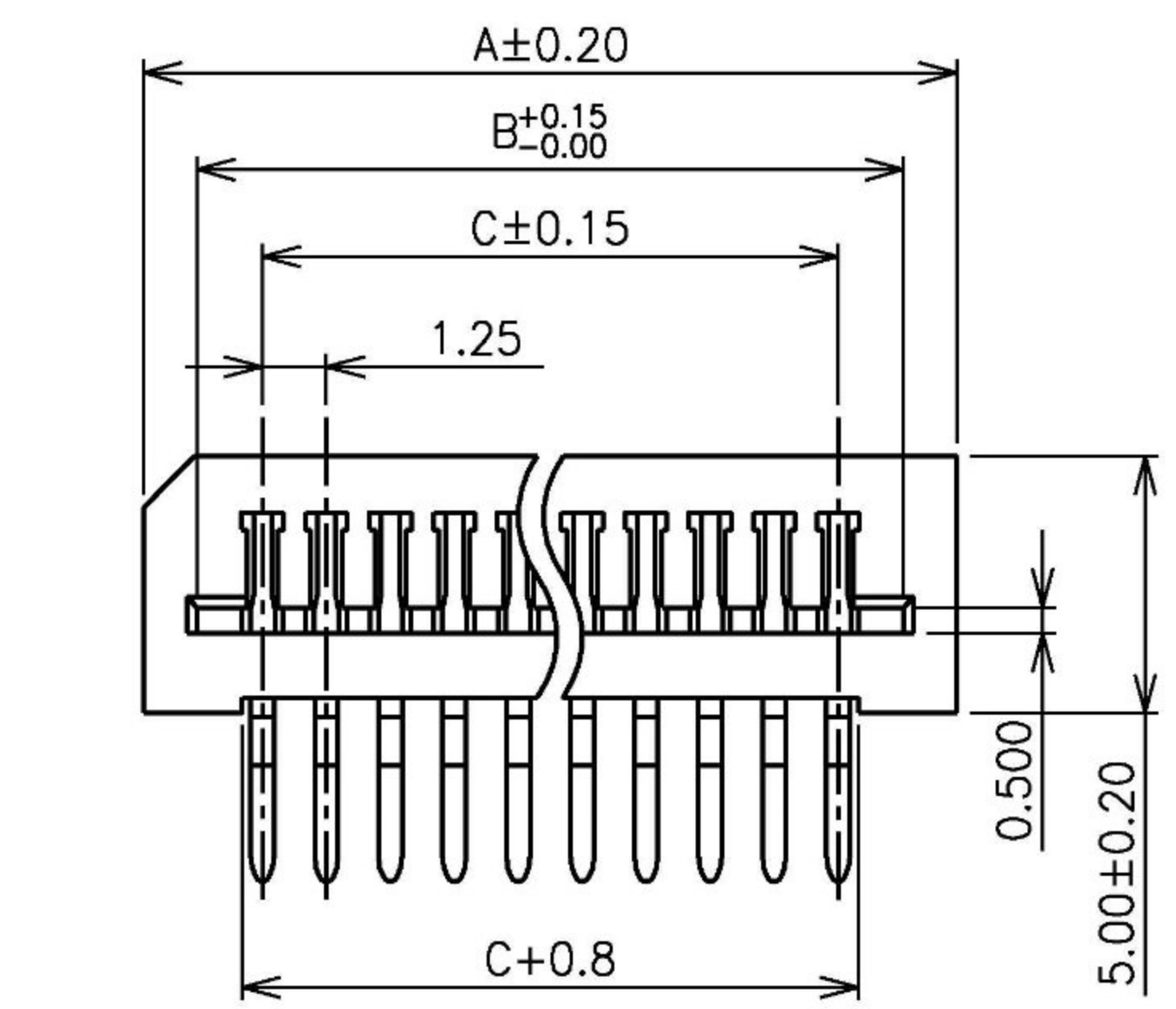
D

E

F

G

H



NOTE:

■ MATERIAL

HOUSING: GLASS-REINFORCED THERMOPLASTIC UL 94V-0.
 CONTACT: COPPER ALLOY.
 PLATING: TIN PLATED OVER NICKEL.

■ ELECTRICAL

CURRENT RATING: 1.0AMP.
 DIELECTRIC WITHSTANDING VOLTAGE: 500V AC MIN.
 INSULATION RESISTANCE: 500MΩ MIN.
 CONTACT RESISTANCE: 30mΩ MAX.

■ ENVIRONMENTAL

TEMPERATURE RANGE: -25°C TO 85°C.

■ DIMENSION TABLE

Circuits	Dimension			Circuits	Dimension		
	A	B	C		A	B	C
2	5.90	3.80	1.25	20	28.40	26.30	23.75
3	7.15	5.05	2.50	21	29.65	27.55	25.00
4	8.40	6.30	3.75	22	30.90	28.80	26.25
5	9.65	7.55	5.00	23	32.15	30.05	27.50
6	10.90	8.80	6.25	24	33.40	31.30	28.75
7	12.15	10.05	7.50	25	34.65	32.55	30.00
8	13.40	11.30	8.75	26	35.90	33.80	31.25
9	14.65	12.55	10.00	27	37.15	35.05	32.50
10	15.90	13.80	11.25	28	38.40	36.30	33.75
11	17.15	15.05	12.50	29	39.65	37.55	35.00
12	18.40	16.30	13.75	30	40.90	38.80	36.25
13	19.65	17.55	15.00	31	42.15	40.05	37.50
14	20.90	18.80	16.25	32	43.40	41.30	38.75
15	22.15	20.05	17.50	33	44.65	42.55	40.00
16	23.40	21.30	18.75	34	45.90	43.80	41.25
17	24.65	22.55	20.00	35	47.15	45.05	42.50
18	25.90	23.80	21.25	36	48.40	46.30	43.75
19	27.15	25.05	22.50				

RoHS
Compliant

HSM 玄茂科技股份有限公司
HSUAN MAO TECHNOLOGY CO., LTD.

APPD. 核准 HELEN
 DWG. 製圖 ABBY
 DATE 制表日 2012/05/21

SCALE 比例 參考
 UNIT 單位 MM
 PAGE 張數 1 OF 1

TOLERANCE
 LINEAR ANGLES
 X ±0.30 X' ±
 X.X ±0.20 X.X' ±
 X.XX ±0.10 X.XX' ±
 X.XXX ±0.05 X.XXX' ±

SIZE. 紙張尺寸 A4
 REV. 版次 A

PART NAME 品名
 FPC/FFC NON-ZIF 1.25mm
 XXP DIP 90° TIN PLATING
 TUBE PACKING BLACK COLOR ROHS

PART NO. 料號 C3913-XXITTB00R

1

2

3

4

5

6

7

8