

1

2

3

4

5

6

7

8

A

B

C

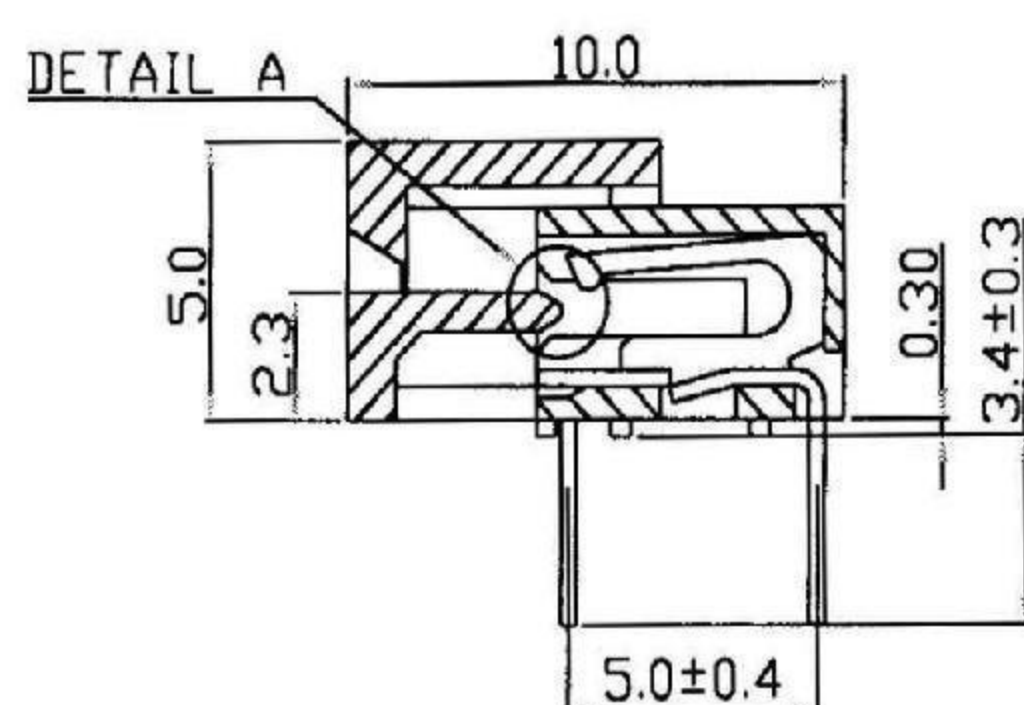
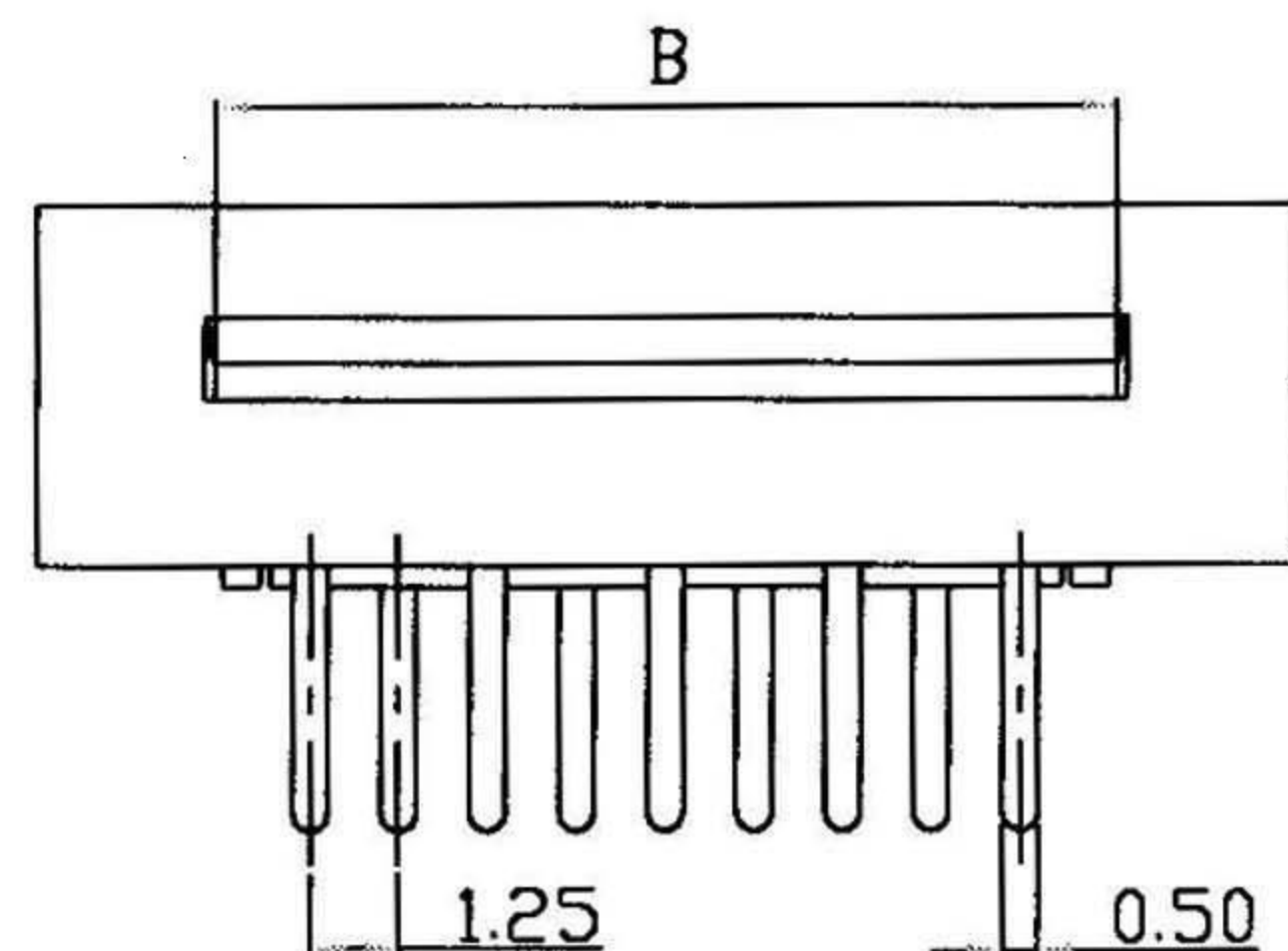
D

E

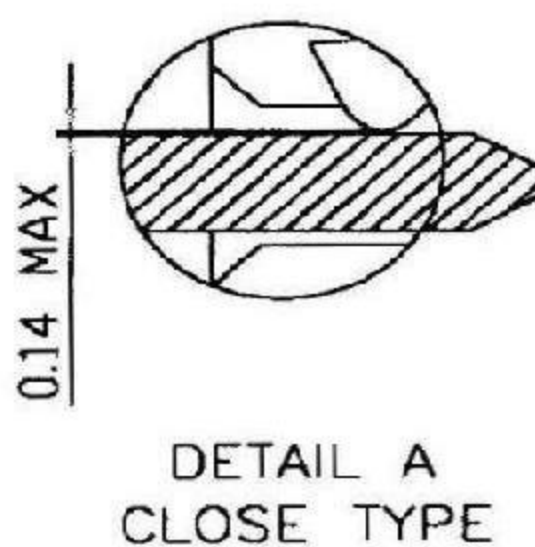
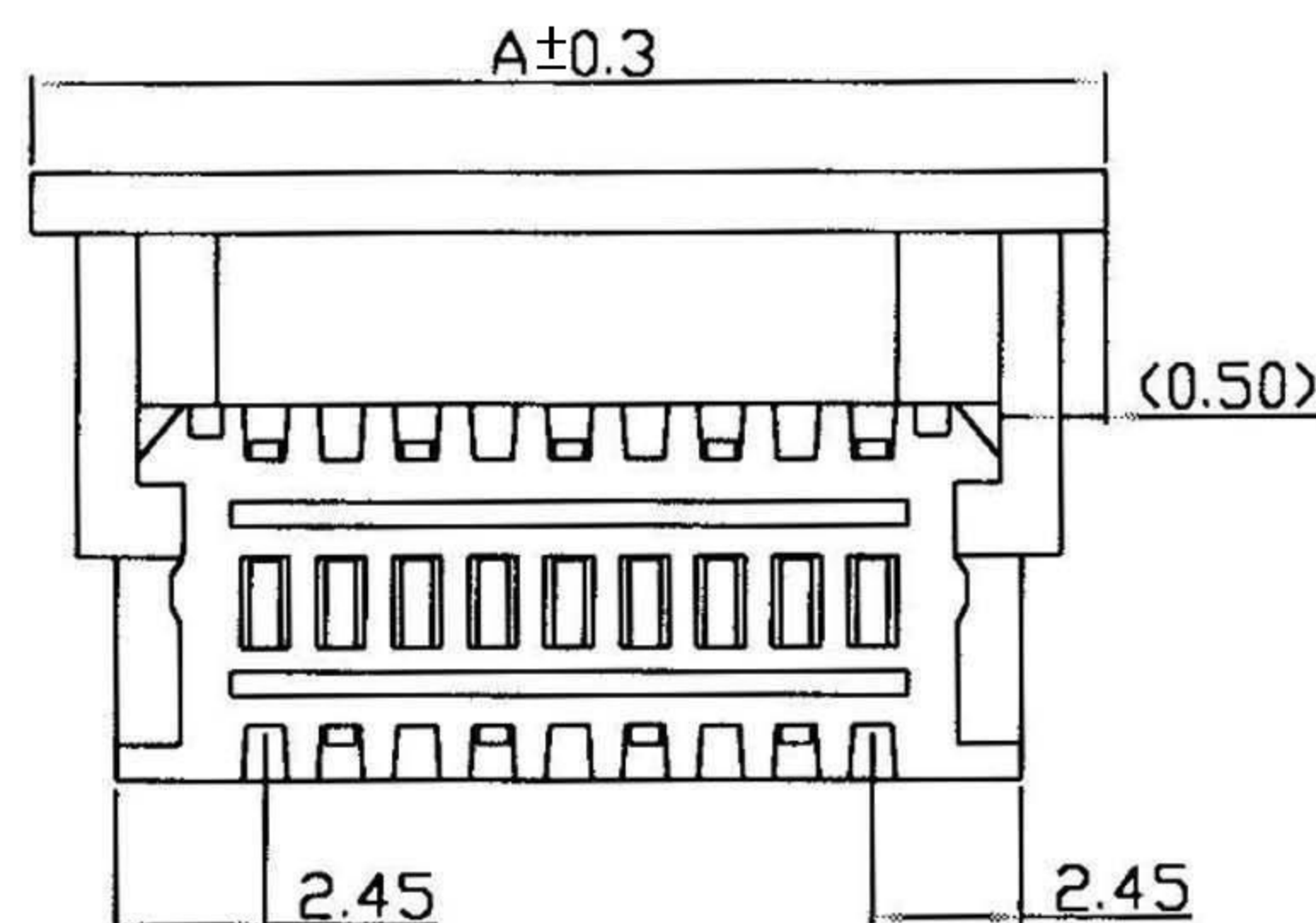
F

G

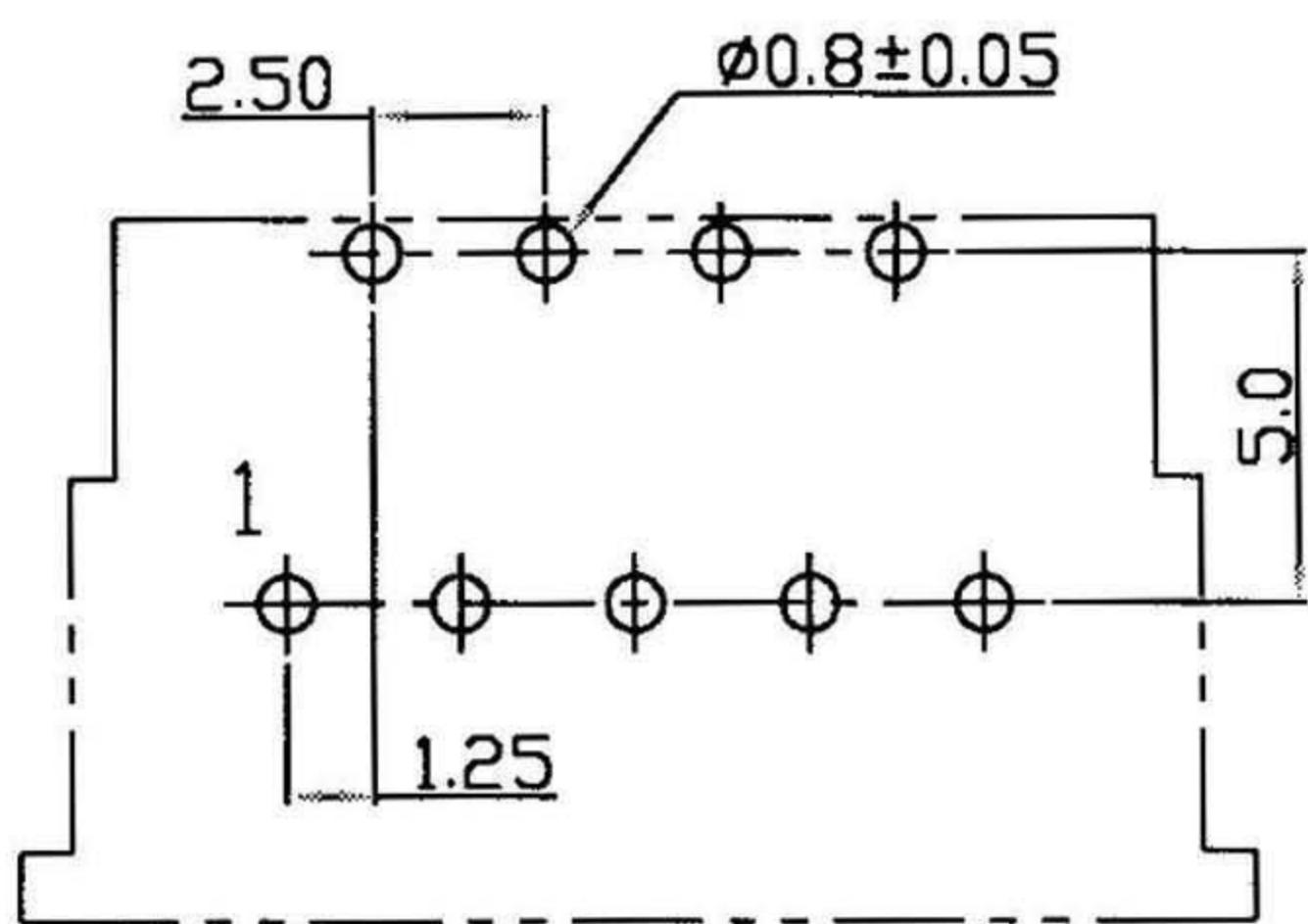
H



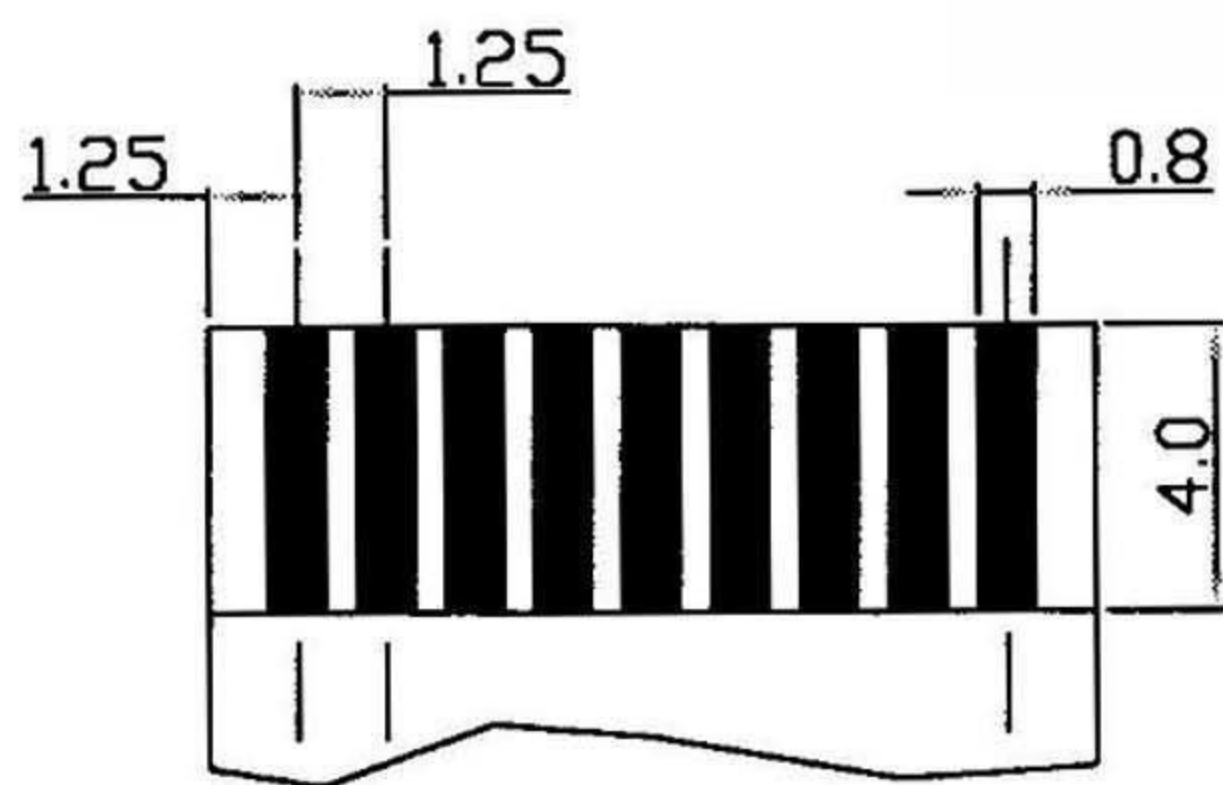
OPEN TYPE



DETAIL A
CLOSE TYPE



RECOMMEND PCB LAYOUT
COMPONENT SIDE



FFC/FPC DIMENSION
THICKNESS 0.3±0.05mm

Electrical

Item	Requirement	Test Condition
Rated Voltage	200V(ac/dc)	Mate connectors measure by dry circuit.
Rated Current	1Amp(ac/dc)	
Contact Resistance	20mΩ	Mate connectors measure by dry circuit 20mV max, 10mA.
Insulation Resistance	500MΩ	Mate connectors, apply 500V dc between adjacent terminal or ground.
Dielectric Strength	No Breakdown	Mate connectors, apply 500V ac for 1 minute between adjacent terminal or ground.

MATERIALS:

HOUSING—PBT UL 94V-0,
TERMINAL—PHOSPHOR BRONZE.

Ambient Temperature Range : -20 degree to +85 degree.

CKT	A	B
3	9.55	5.20
4	10.80	6.45
5	12.05	7.70
6	13.30	8.95
7	14.55	10.20
8	15.80	11.45
9	17.05	12.70
10	18.30	13.95
11	19.55	15.20
12	20.80	16.45
13	22.05	17.70
14	23.30	18.95
15	24.55	20.20
16	25.80	21.45
17	27.05	22.70
18	28.30	23.95
19	29.55	25.20
20	30.80	26.45
21	32.05	27.70
22	33.30	28.95
23	34.55	30.20
24	35.80	31.45
25	37.05	32.70
26	38.30	33.95
27	39.55	35.20
28	40.80	36.45
29	42.05	37.70
30	43.30	38.95
31	44.55	40.20
32	45.80	41.45

*Tilt to one side the scope Range ± 0.2mm

RoHS Compliant		HSM 玄茂科技股份有限公司 HSUAN MAO TECHNOLOGY CO., LTD.	
APPD. 核准 BETTY	SCALE 比例 參考	TOLERANCE 容許公差 .0 ±0.30 .00 ±0.25 ANG. ±3°	PART NAME 品名 ZIF FPC/FFC 1.25mm DIP 90° XXP TIN PLATING IVORY COLOR ROHS LOW-LEAD
DWG. 製圖 KAREN		UNIT 單位 MM	SIZE. 紙張尺寸 A4
DATE 制表日 2012/08/17	PAGE 張數 1 OF 1	REV. 版次 B	PART NO. 料號 C3912-XXARTXI0R

1

2

3

4

5

6

7

8