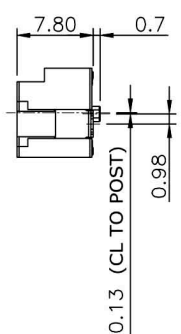
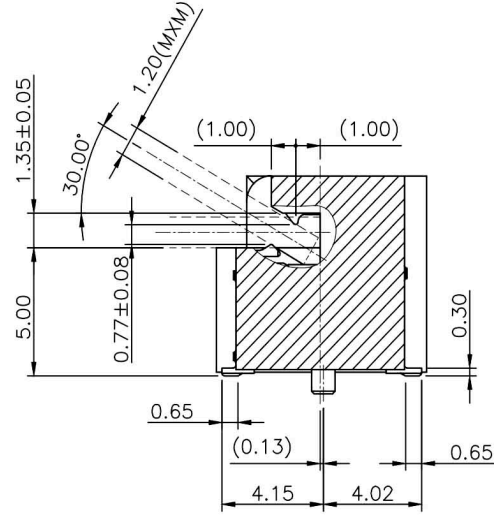


NOTE:
 DATE CODE:6181 (YWWD)
 Y : YEAR(2016)
 WW: WEEK (01~52)
 D : DAY (1~7)



3	SOLDERPEG	Copper Alloy,Matte TIN 80μ"MIN. Ni Under Plated 60μ"MIN.
2	CONTACT	Copper Alloy,Contact: Au Plated 5μ"MIN. Ni Under Plated 60μ"MIN.
1	HOUSING	LCP, UL94V-0, Black
NO.	PART NAME	DESCRIPTION

RoHS
Compliant

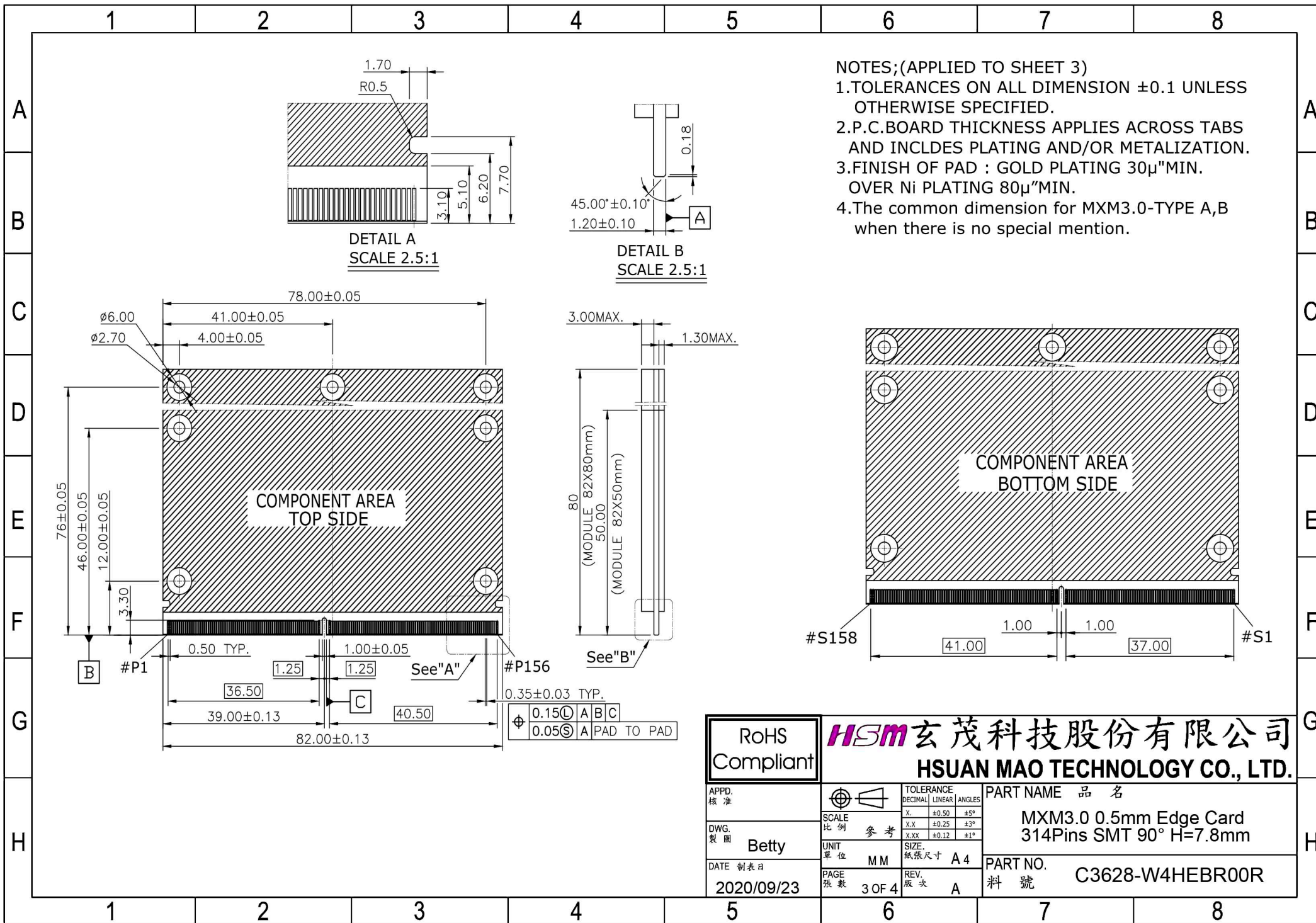
HSM 玄茂科技股份有限公司
HSUAN MAO TECHNOLOGY CO., LTD.

APPD. 核准	 SCALE 比例 參考 UNIT 單位 M M PAGE 張數 1 OF 4	TOLERANCE DECIMAL LINEAR ANGLES	PART NAME 品名
DWG. 製圖		.X ±0.50 ±5° .X.X ±0.25 ±3° .X.XX ±0.12 ±1°	MXM3.0 0.5mm Edge Card 314Pins SMT 90° H=7.8mm
DATE 制表日		SIZE 紙張尺寸 A 4	PART NO.
2020/09/23		REV. 版次 A	料號 C3628-W4HEBR00R

Betty

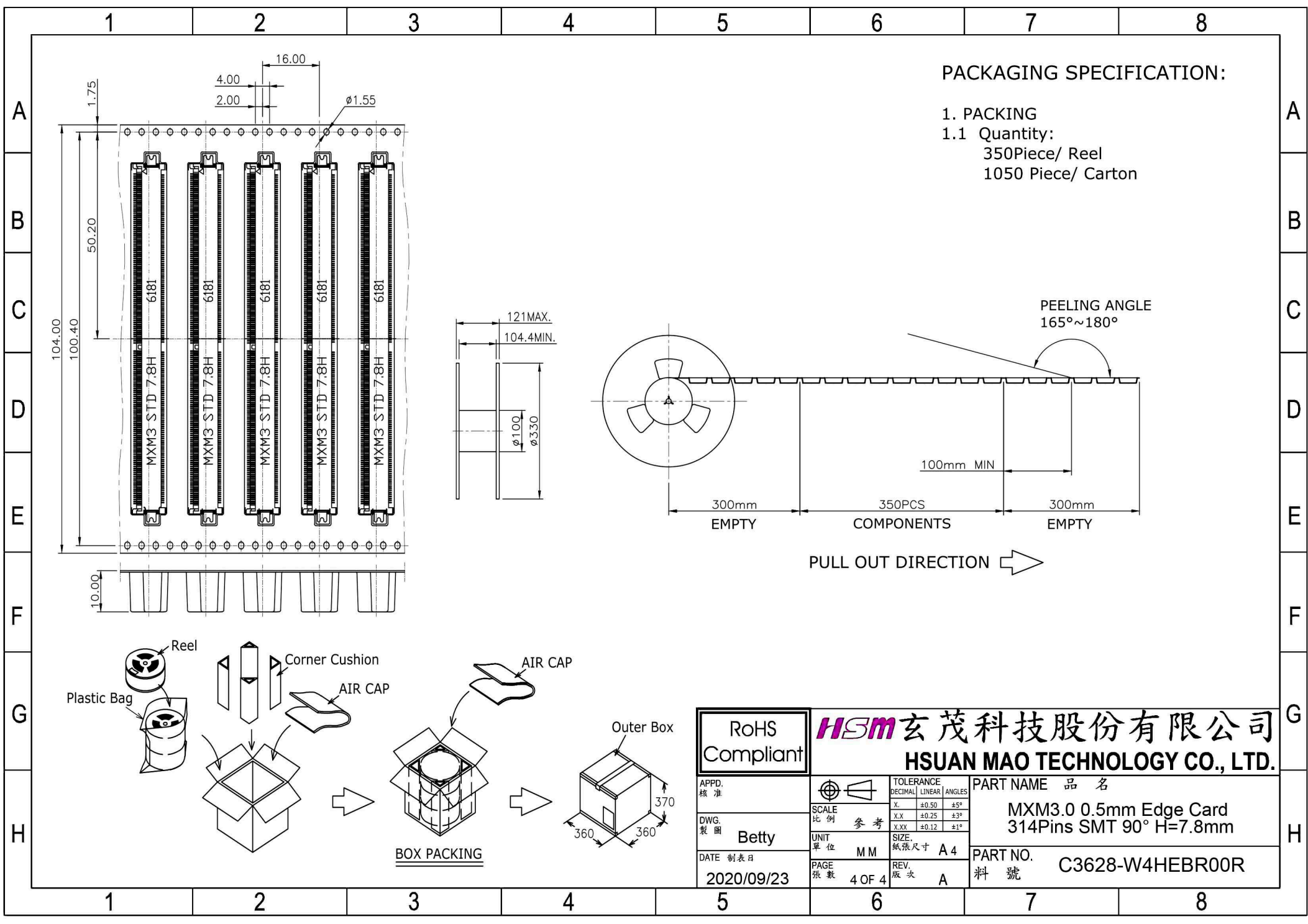
2020/09/23

C3628-W4HEBR00R



- NOTES; (APPLIED TO SHEET 3)
1. TOLERANCES ON ALL DIMENSION ± 0.1 UNLESS OTHERWISE SPECIFIED.
 2. P.C. BOARD THICKNESS APPLIES ACROSS TABS AND INCLUDES PLATING AND/OR METALIZATION.
 3. FINISH OF PAD : GOLD PLATING 30μ "MIN. OVER Ni PLATING 80μ "MIN.
 4. The common dimension for MXM3.0-TYPE A,B when there is no special mention.

RoHS Compliant		HSM 玄茂科技股份有限公司 HSUAN MAO TECHNOLOGY CO., LTD.																
APPD. 核准 DWG. 製圖 DATE 製表日 2020/09/23	Betty 2020/09/23	<table border="1"> <tr> <th rowspan="2">TOLERANCE</th> <th>DECIMAL</th> <th>LINEAR</th> <th>ANGLES</th> </tr> <tr> <td>X.</td> <td>± 0.50</td> <td>$\pm 5^\circ$</td> </tr> <tr> <td></td> <td>X.X</td> <td>± 0.25</td> <td>$\pm 3^\circ$</td> </tr> <tr> <td></td> <td>X.XX</td> <td>± 0.12</td> <td>$\pm 1^\circ$</td> </tr> </table>	TOLERANCE	DECIMAL	LINEAR	ANGLES	X.	± 0.50	$\pm 5^\circ$		X.X	± 0.25	$\pm 3^\circ$		X.XX	± 0.12	$\pm 1^\circ$	PART NAME 品名 MXM3.0 0.5mm Edge Card 314Pins SMT 90° H=7.8mm PART NO. 料號 C3628-W4HEBR00R
TOLERANCE	DECIMAL	LINEAR		ANGLES														
	X.	± 0.50	$\pm 5^\circ$															
	X.X	± 0.25	$\pm 3^\circ$															
	X.XX	± 0.12	$\pm 1^\circ$															
UNIT 單位 M M	SCALE 比例 參考	SIZE. 紙張尺寸 A 4	REV. 版次 A															
PAGE 張數 3 OF 4	TOLERANCE 公差 3 OF 4	UNIT 單位 M M	SCALE 比例 參考															



PACKAGING SPECIFICATION:

- 1. PACKING
- 1.1 Quantity:
 - 350Piece/ Reel
 - 1050 Piece/ Carton

PEELING ANGLE
165°~180°

PULL OUT DIRECTION →

<p>RoHS Compliant</p>		<p>HSM 玄茂科技股份有限公司 HSUAN MAO TECHNOLOGY CO., LTD.</p>													
<p>APPD. 核准</p>		<p>TOLERANCE</p> <table border="1"> <tr> <th>DECIMAL</th> <th>LINEAR</th> <th>ANGLES</th> </tr> <tr> <td>X.</td> <td>±0.50</td> <td>±5°</td> </tr> <tr> <td>X.X</td> <td>±0.25</td> <td>±3°</td> </tr> <tr> <td>X.XX</td> <td>±0.12</td> <td>±1°</td> </tr> </table>	DECIMAL	LINEAR	ANGLES	X.	±0.50	±5°	X.X	±0.25	±3°	X.XX	±0.12	±1°	<p>PART NAME 品名</p>
DECIMAL	LINEAR	ANGLES													
X.	±0.50	±5°													
X.X	±0.25	±3°													
X.XX	±0.12	±1°													
<p>DWG. 製圖</p>	<p>SCALE 比例</p> <p>參考</p>	<p>SIZE. 紙張尺寸</p> <p>A 4</p>	<p>MXM3.0 0.5mm Edge Card 314Pins SMT 90° H=7.8mm</p>												
<p>DATE 製表日</p>	<p>UNIT 單位</p> <p>M M</p>	<p>REV. 版次</p> <p>A</p>	<p>PART NO. 料號</p> <p>C3628-W4HEBR00R</p>												
<p>2020/09/23</p>	<p>PAGE 張數</p> <p>4 OF 4</p>														

BOX PACKING