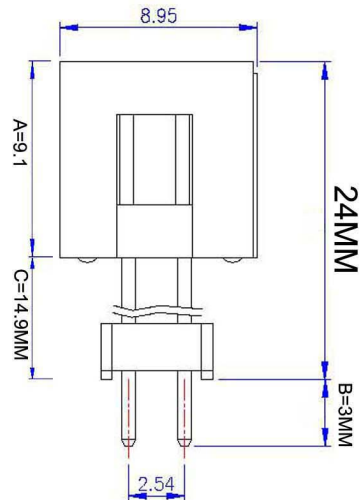
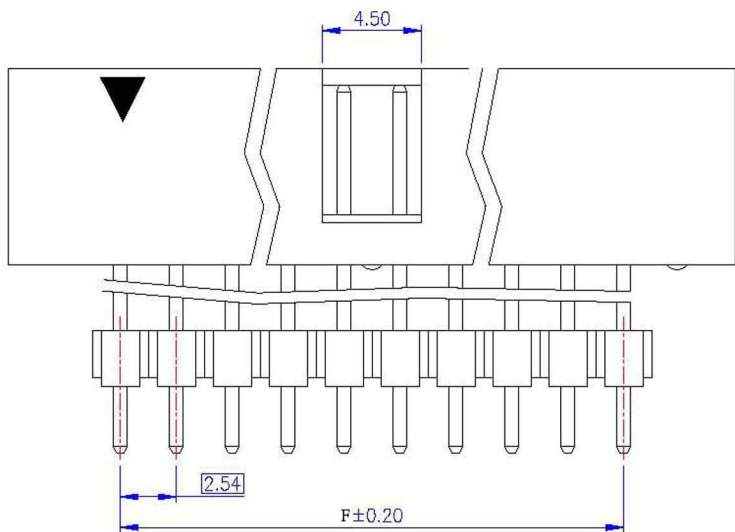


PCB Layout
(Top View)



Dimensions			
Pos.	D	E	F
06	15.24	12.94	5.08
08	17.78	15.48	7.62
10	20.32	18.02	10.16
12	22.86	20.56	12.70
14	25.40	23.10	15.24
16	27.94	25.64	17.78
20	33.02	30.72	22.86
24	38.10	35.80	27.94
26	40.64	38.34	30.48
30	45.72	43.42	35.56
34	50.80	48.50	40.64
40	58.42	56.12	48.26
44	63.50	61.20	53.34
50	71.12	68.82	60.96

Material and Finish	Electrical Characteristics	Mechanical Characteristics
1. Housing: PBT (UL94V-0), Black. 2. Terminal: Sq. 0.64mm Copper Alloy, Gold Plating.	1. Current Rating: 3.0 Amp. Max. 2. Dielectric Withstand Voltage: 1000V AC RMS for 60Seconds. 3. Insulation Resistance: 1000M Ohms Min. at 1000V DC.	1. Operating Temperature: -55°C ~ +105°C

RoHS Compliant	HSM 玄茂科技股份有限公司 HSUAN MAO TECHNOLOGY CO., LTD.	
APPD. 核准 Helen	SCALE 比例 參考	TOLERANCE 容許公差 .0 ±0.30 .00 ±0.20 ANG. ±
DWG. 製圖 Yumi	UNIT 單位 MM	SIZE. 紙張尺寸 A4
DATE 制表日 2008/03/10	PAGE 張數 1 OF 1	REV. 版次 A
PART NAME 品名 BOX HEADER+PIN HEADER 2.54mm 16P 180°GOLD PLATING A=9.1mm C=14.9mm B=3mm ROHS LOW-LEAD		PART NO. 料號 C3520 - XXSFGB00R