

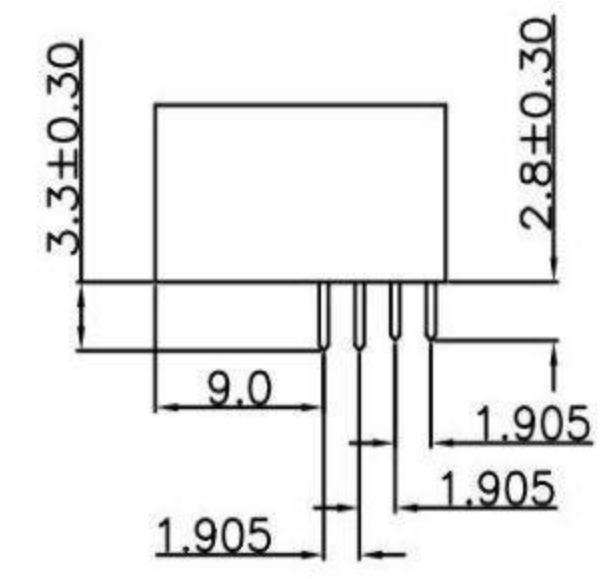
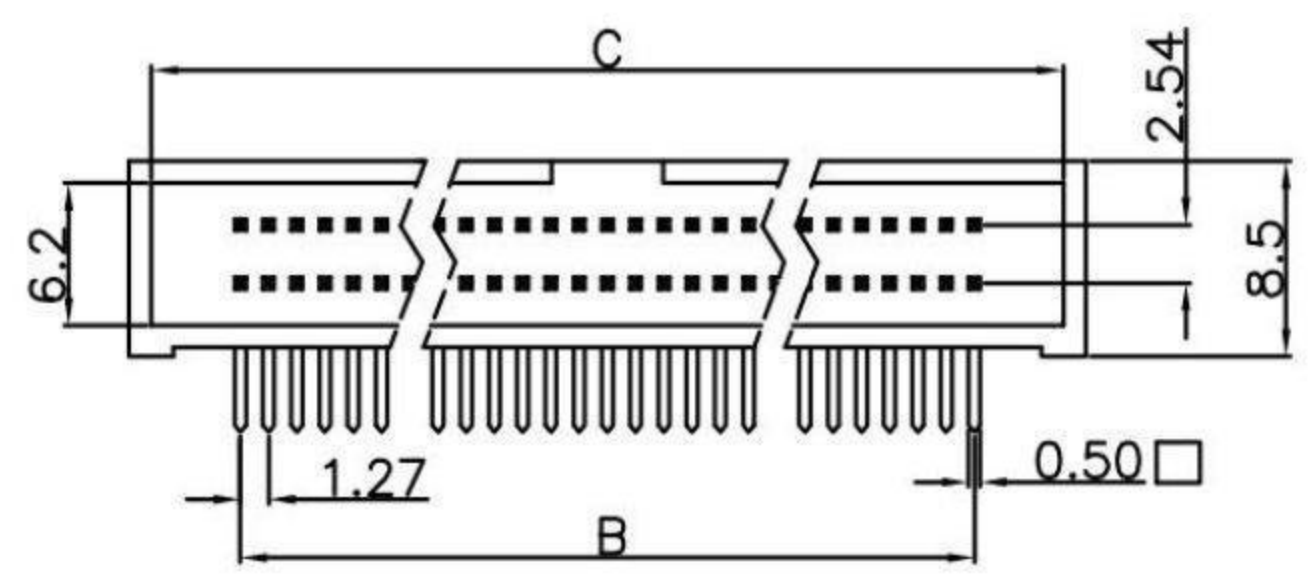
Material:

Housing: 30% Glass Filled PBT UL94V-0.
 Contacts: Brass.

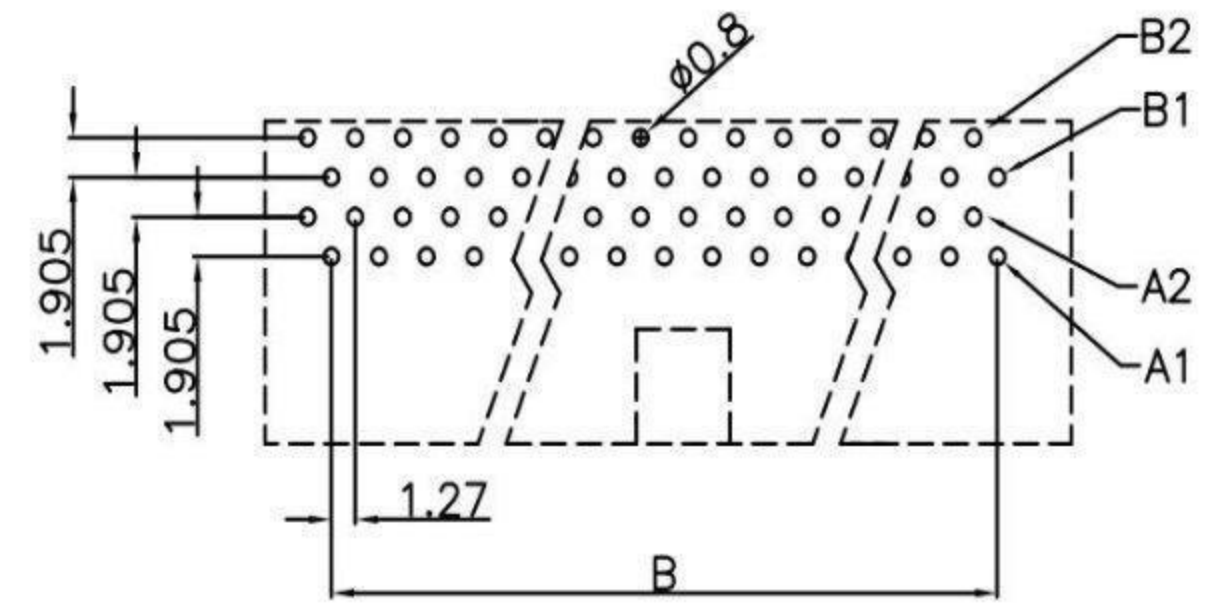
Electrical Characteristics:

Current Rating: 1 AMP.
 Dielectric Withstanding Voltage: AC 500V For 1 minute.
 Insulator Resistance: 1000MΩ min. at DC 250V.
 Contact Resistance: 20mΩ max. at DC 100mA.
 Operating Temperature: -55°C ~ +105°C.

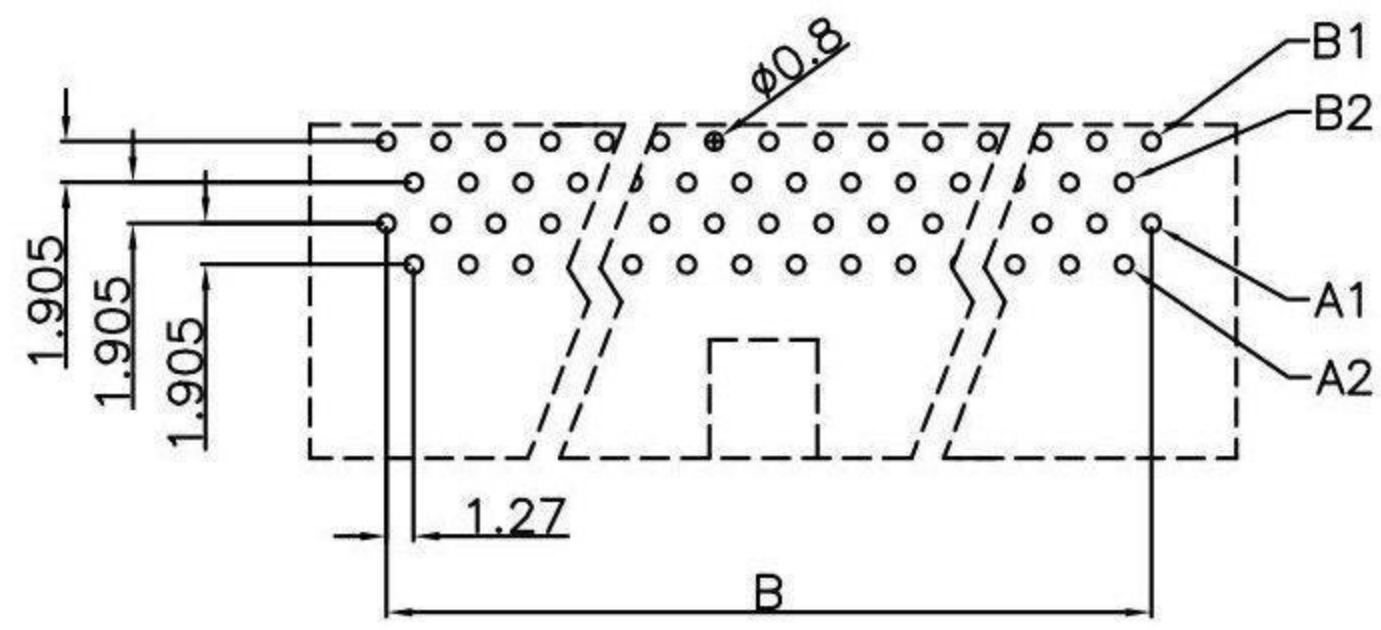
***RoHS Compliant**



Position	Dimension		
	A	B	C
20	20.95	11.43	18.75
26	24.76	15.24	22.56
32	28.57	19.05	26.37
34	29.84	20.32	27.64
40	33.65	24.13	31.45
50	40.00	30.48	37.80
52	41.27	31.75	39.07
60	46.35	36.83	44.15
68	51.43	41.91	49.23
80	59.05	49.53	56.85
100	71.75	62.23	69.55



P.C. Board Layout Top View
 (20,32,40,52,60,68,80,100 Position)



P.C. Board Layout Top View
 (26,34,50 Position)

<p>RoHS Compliant</p>		<p>HSM 玄茂科技股份有限公司 HSUAN MAO TECHNOLOGY CO., LTD.</p>	
<p>APPD. 核准 BETTY</p>	<p>SCALE 比例 参考</p>	<p>TOLERANCE x = ±0.5 .x = ±0.25 .xx = ±0.15</p>	<p>PART NAME 品名 3502-10PRS1-1 BOX HEADER H.D 1.27mm X 2.54mm x xP 90° SELECTIVE GOLD PLATING BLACK COLOR RoHS</p>
<p>DWG. 製圖 KAREN</p>	<p>UNIT 單位 MM</p>	<p>SIZE 紙張尺寸 A4</p>	<p>PART NO. 料號 C3502-XXRSB000R</p>
<p>DATE 制表日 2012/11/05</p>	<p>PAGE 張數 1 OF 1</p>	<p>REV. 版本 B</p>	