

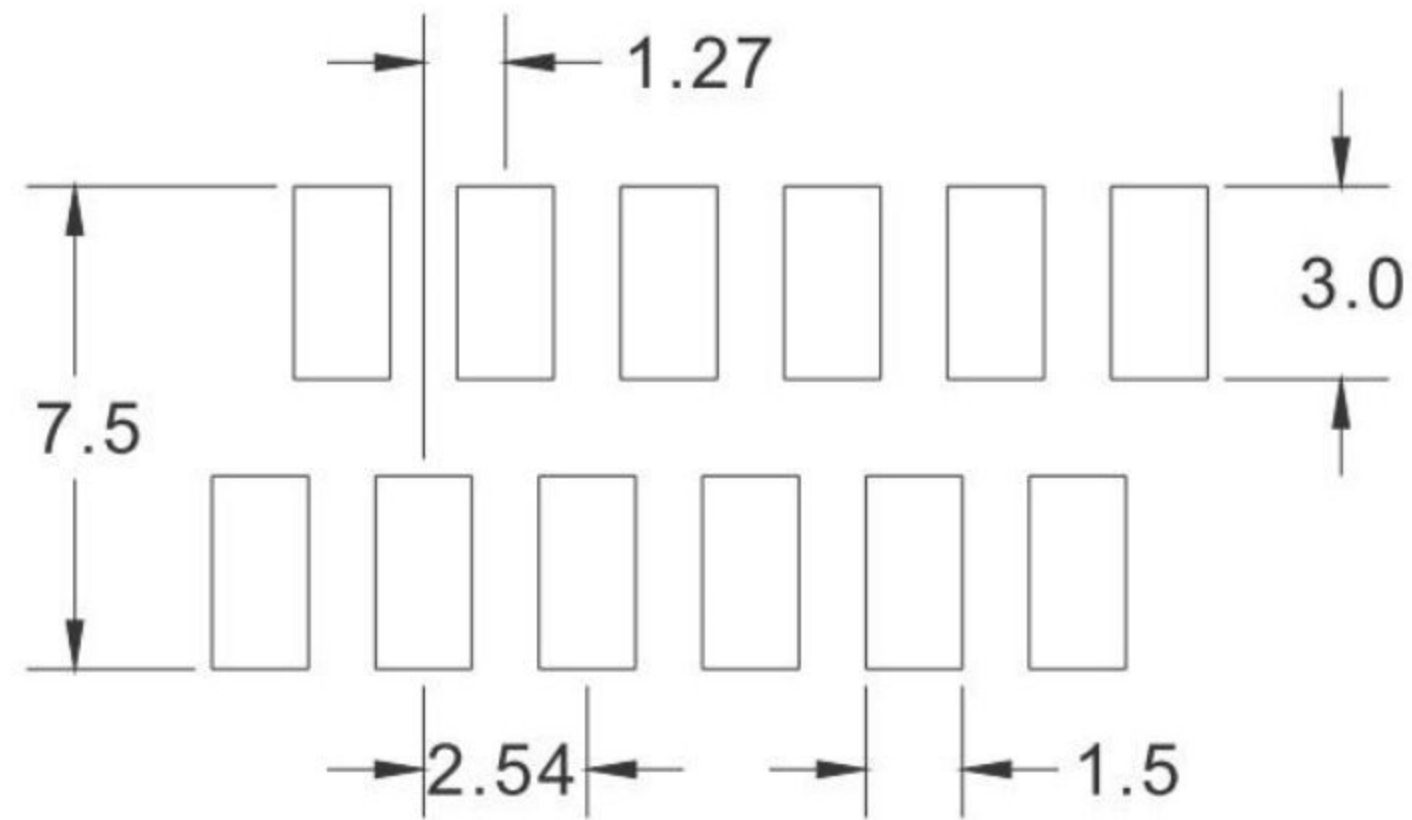
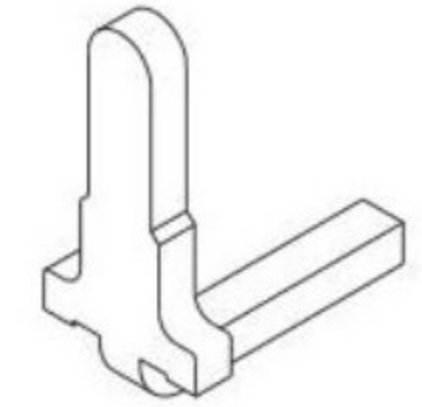
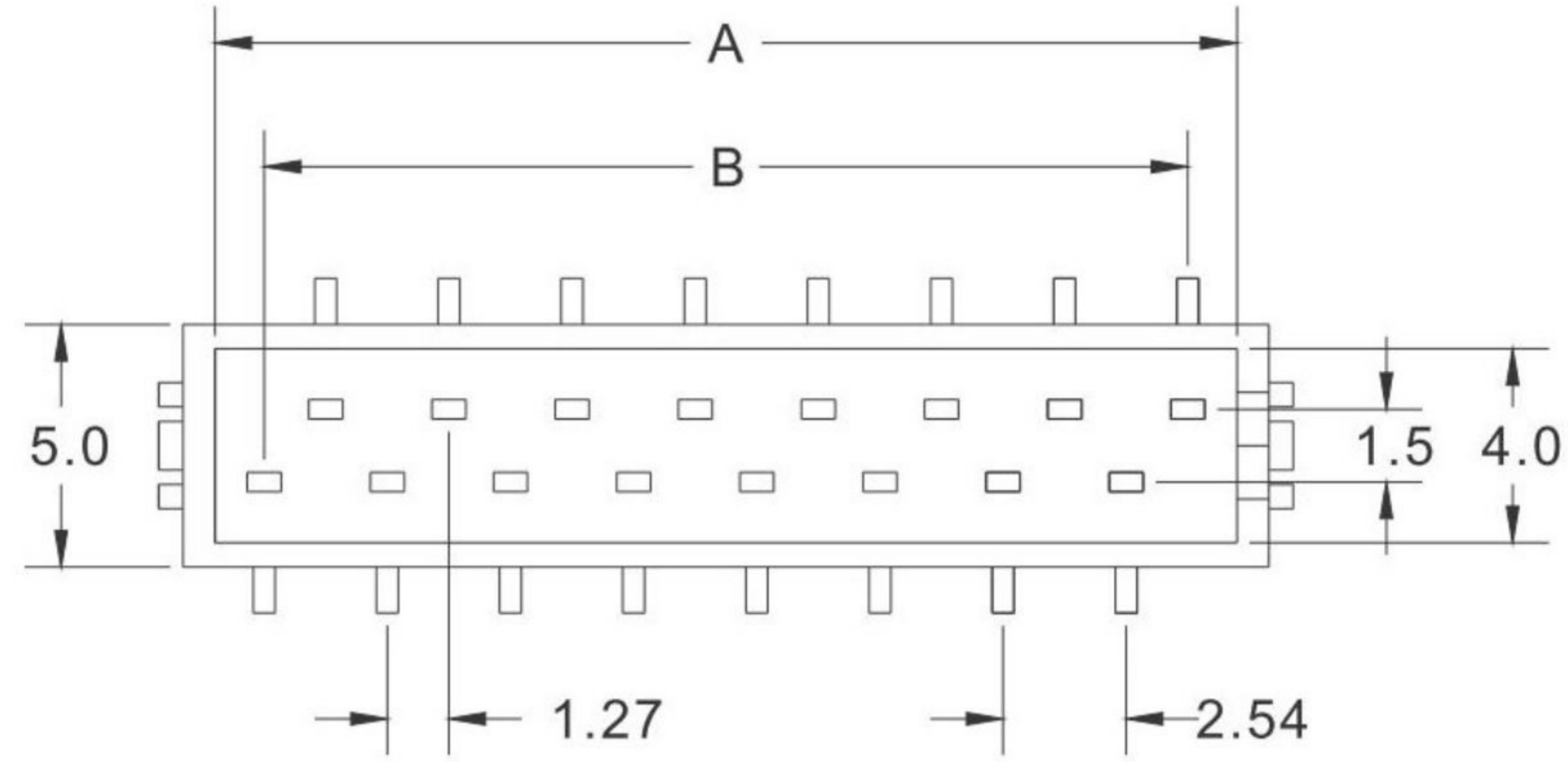
SPECIFICATIONS

Material

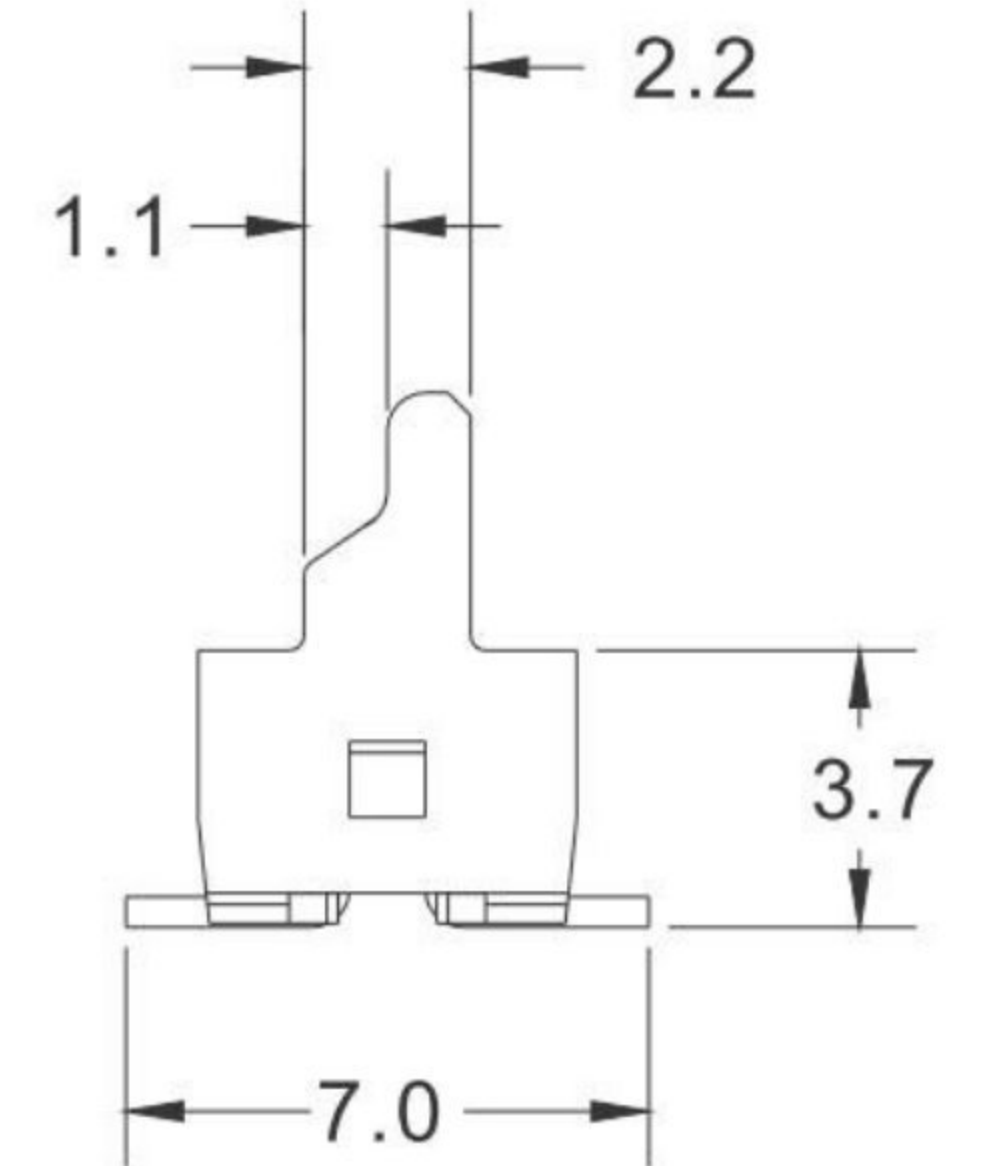
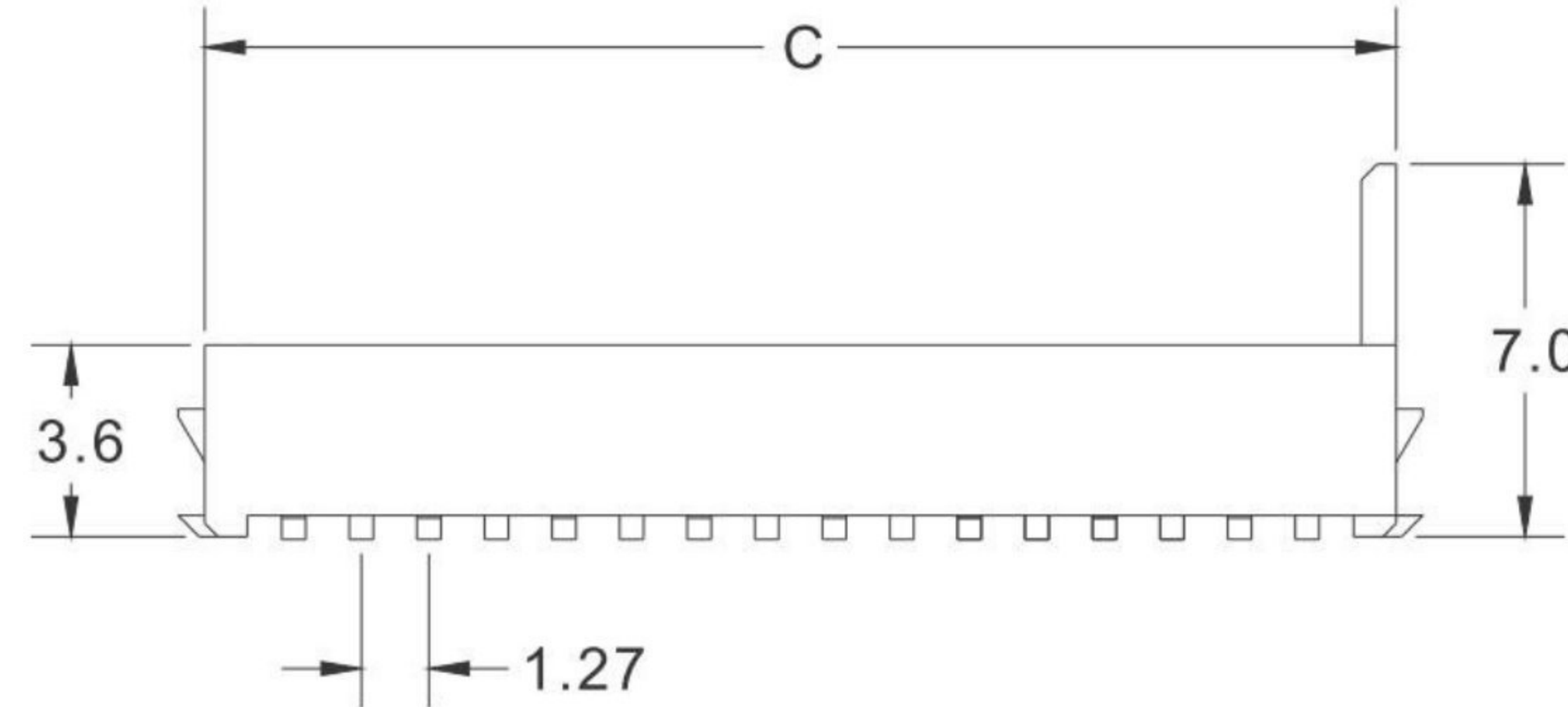
Insulator : Nylon 6T, glass reinforced, rated UL 94V-0
 Contact : Phosphor Bronze

Electrical

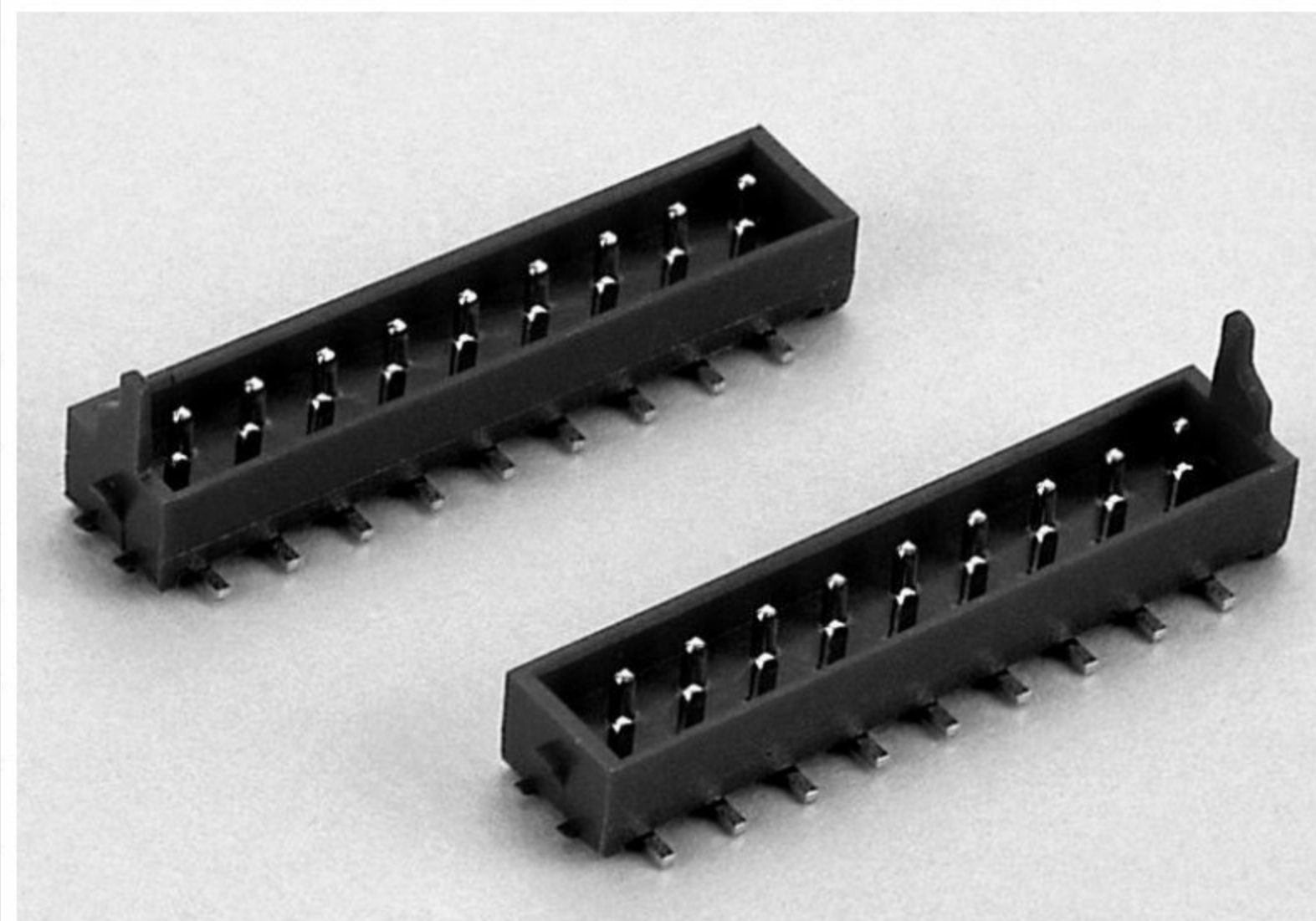
Current Rating : 1 Amp
 Contact Resistance : 30 mΩ max.
 Insulation Resistance : 3000 MΩ min.
 Dielectric Withstanding Voltage : 500V AC for 1minute
 Operating Temperature : -40°C to +105°C



RECOMMENDED P.C.B LAYOUT



POSITION	A	B	C
4	5.84	3.81	7.16
6	8.38	6.35	9.70
8	10.92	8.89	12.24
10	13.46	11.43	14.78
12	16.00	13.97	17.32
14	18.54	16.51	19.86
16	21.08	19.05	22.40
18	23.62	21.59	24.94
20	26.16	24.13	27.48
22	28.70	26.67	30.02
24	31.24	29.21	32.56
26	33.78	31.75	35.10



APPD. 核准 HELEN DWG. 製圖 ABBY DATE 制表日 2014/07/15		RoHS Compliant HSM 玄茂科技股份有限公司 HSUAN MAO TECHNOLOGY CO., LTD.		TOLERANCE 容許公差 .0 ± .00 ± ANG ± SCALE 比例 參考 UNIT 單位 MM PAGE 張數 1 OF 1 REV. 版次 B		PART NAME 品名 2.54mm MINI SIZE CONNECTOR MALE ON BOARD SMT TYPE XXP PHOSPHOR BRASS TIN PLATING RED INSULATOR TUBE PACKING ROHS PART NO. 料號 C3133-XXPTRT00R	
---	--	--	--	--	--	--	--