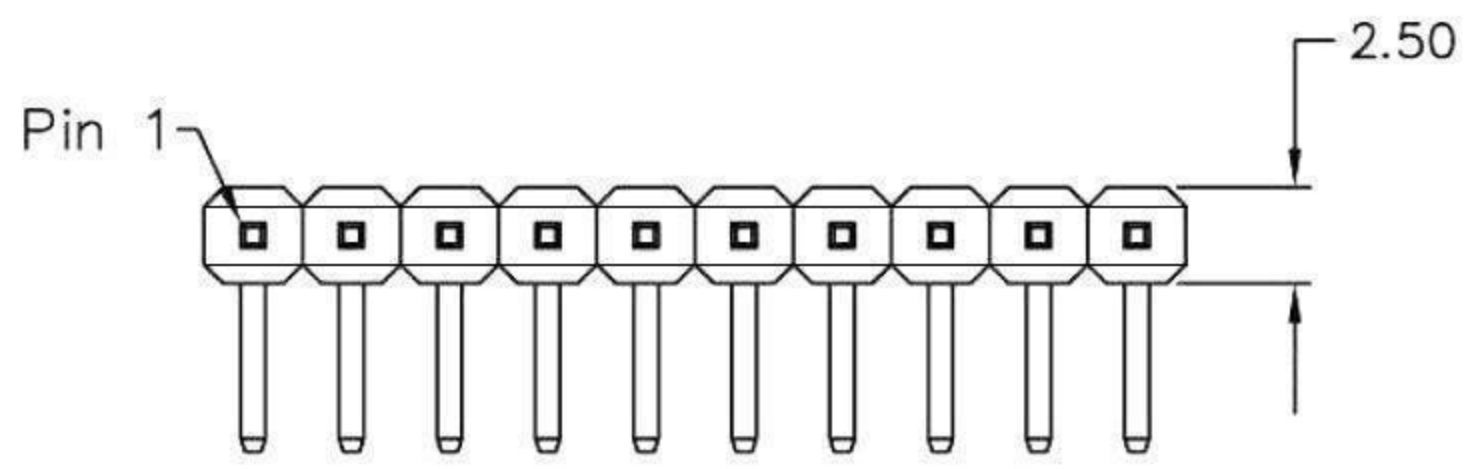


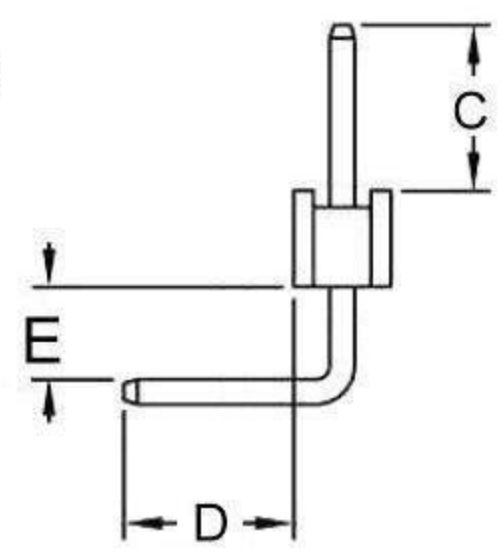
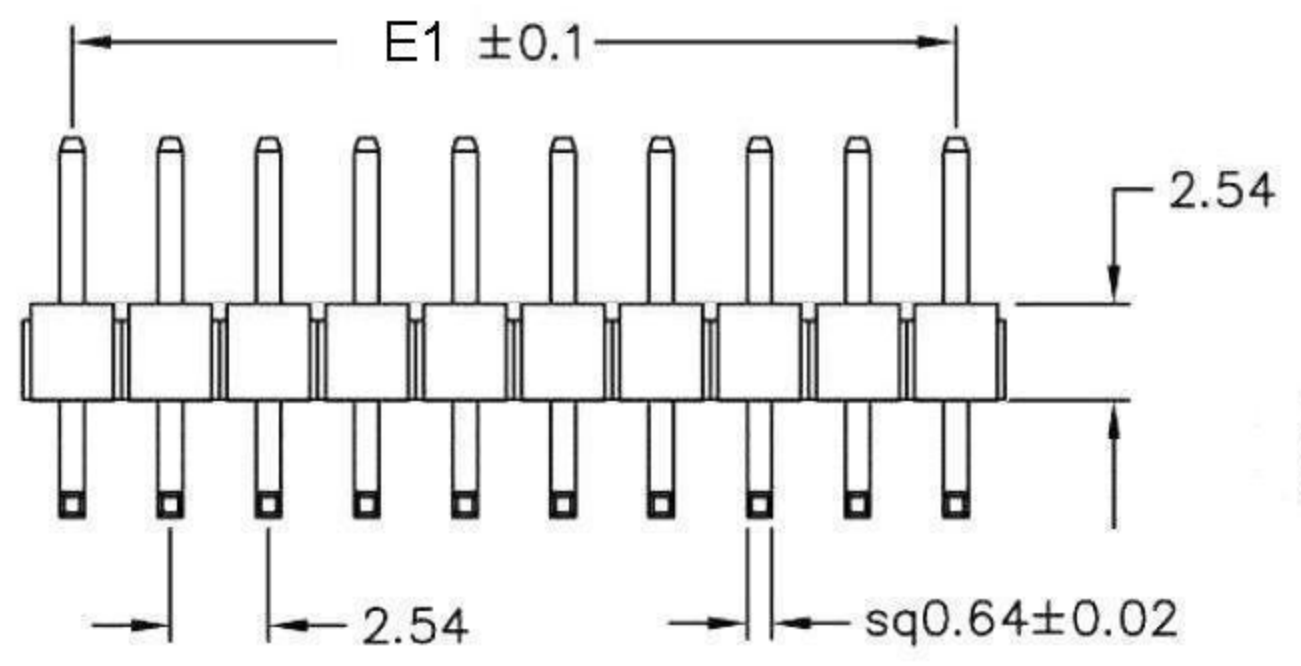
1 2 3 4 5 6 7 8

A  
B  
C  
D  
E  
F  
G  
H



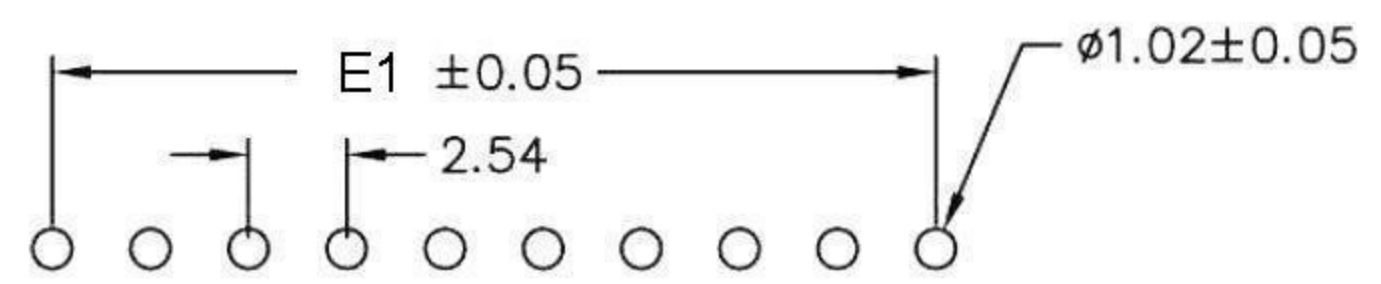
**MATERIAL**  
 Insulator : 30% Glass fiber PBT  
 Contact Pin : Brass

**SPECIFICATION**  
 Current Rate : 3 AMP  
 Insulation Resistance : 5000MΩMin. at DC 500V  
 Contact Resistance : 20mΩMax. at DC 100mA  
 Dielectric Voltage : AC 500V for one minute  
 Operation Temperature : -40°C to + 105°C



C= 3.0 mm D= 6.0 mm E= 3.18 mm

POLES	DIM E1	POLES	DIM E1
		21	50.80
2	2.54	22	53.34
3	5.08	23	55.88
4	7.62	24	58.42
5	10.16	25	60.96
6	12.70	26	63.50
7	15.24	27	66.04
8	17.78	28	68.58
9	20.32	29	71.12
10	22.86	30	73.66
11	25.40	31	76.20
12	27.94	32	78.74
13	30.48	33	81.28
14	33.02	34	83.82
15	35.56	35	86.36
16	38.10	36	88.90
17	40.64	37	91.44
18	43.18	38	93.98
19	45.72	39	96.52
20	48.26	40	99.06



Recommended P.C.B Layout

RoHS Compliant		<b>HSM 玄茂科技股份有限公司</b> <b>HSUAN MAO TECHNOLOGY CO., LTD.</b>	
APPD. 核准 HELEN DWG. 製圖 ABBY DATE 制表日 2013/05/30	SCALE 比例 參考 UNIT 單位 MM PAGE 張數 1 OF 1	TOLERANCE 容許公差 .0 ± 0.3 .00 ± 0.2 ANG. ± SIZE 紙張尺寸 A4 REV. 版次 C	PART NAME 品名 2.54mm PIN HEADER SINGLE ROW 1XXXP RIGHT ANGLE TYPE (C=3mm D=6mm E=3.18mm) ROHS PART NO. 料號 C2100-XXARXAR0R

1 2 3 4 5 6 7 8