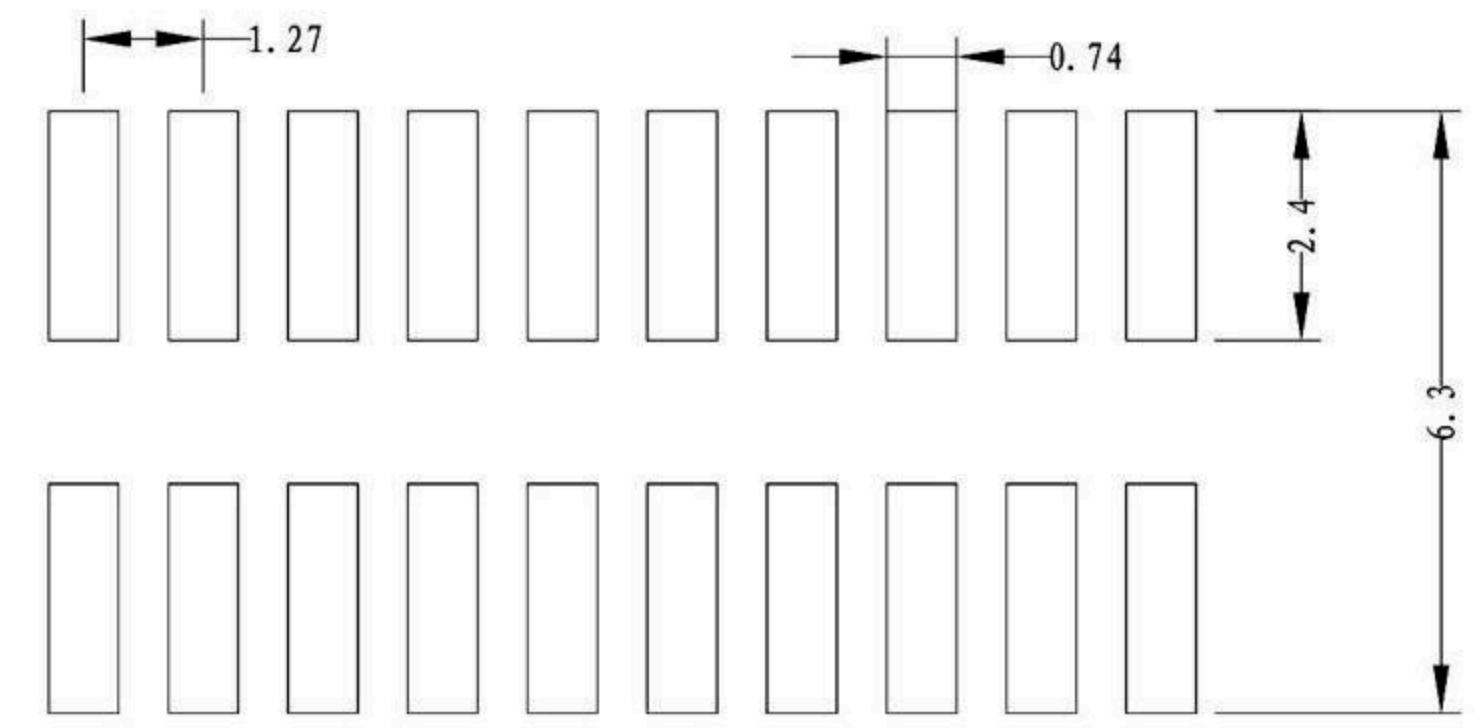
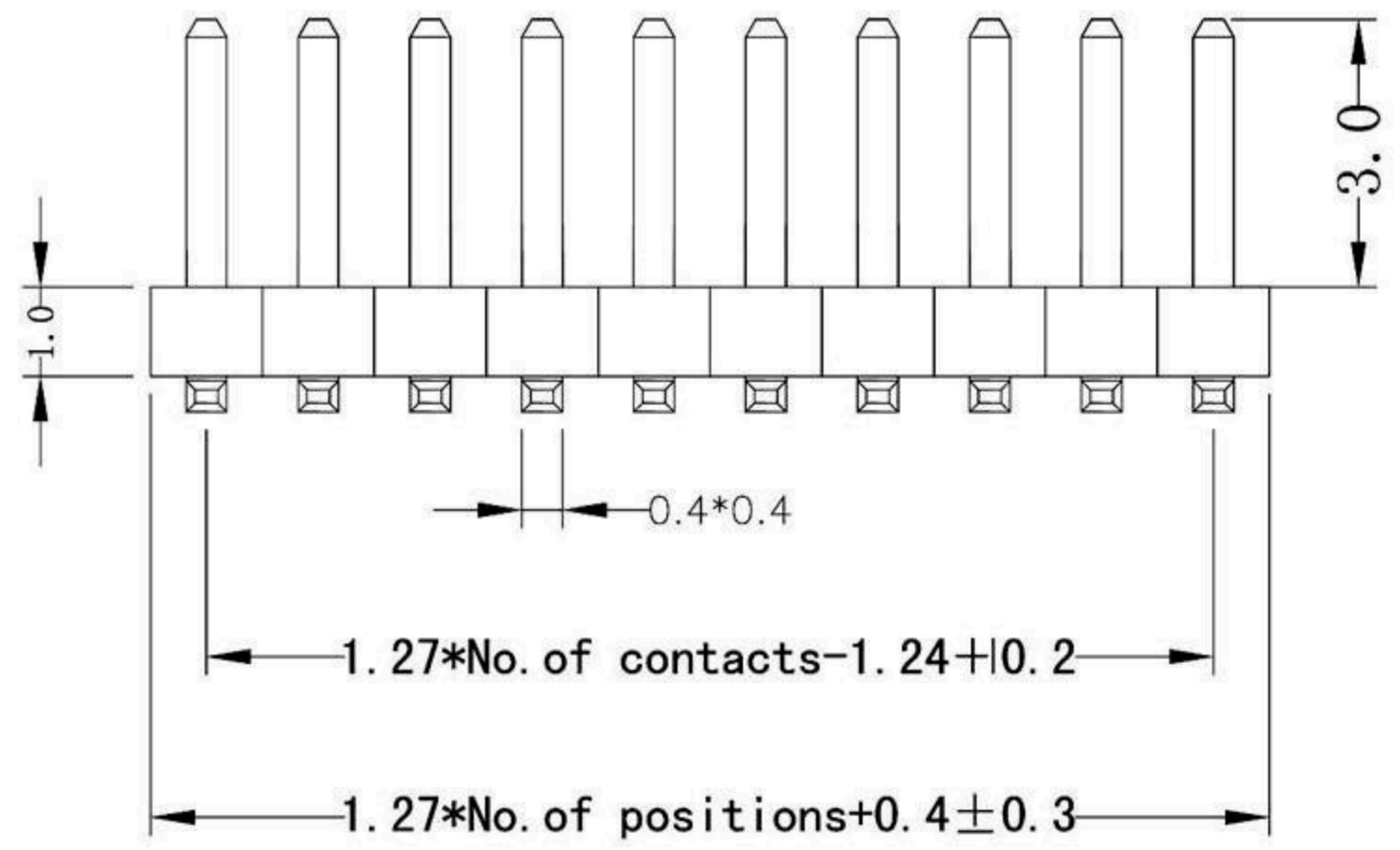
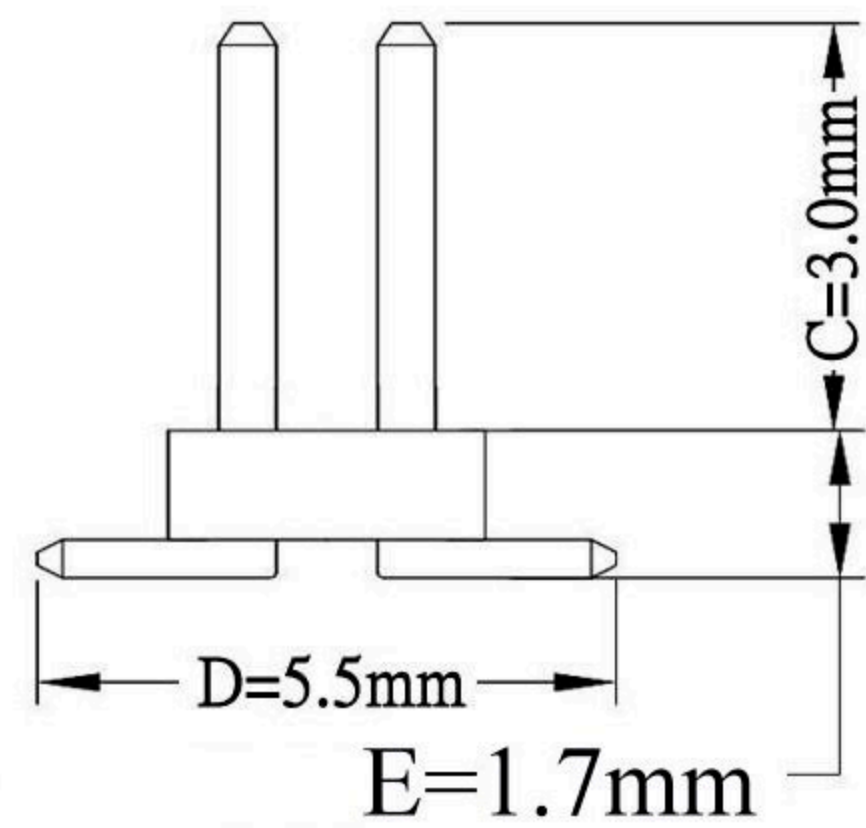
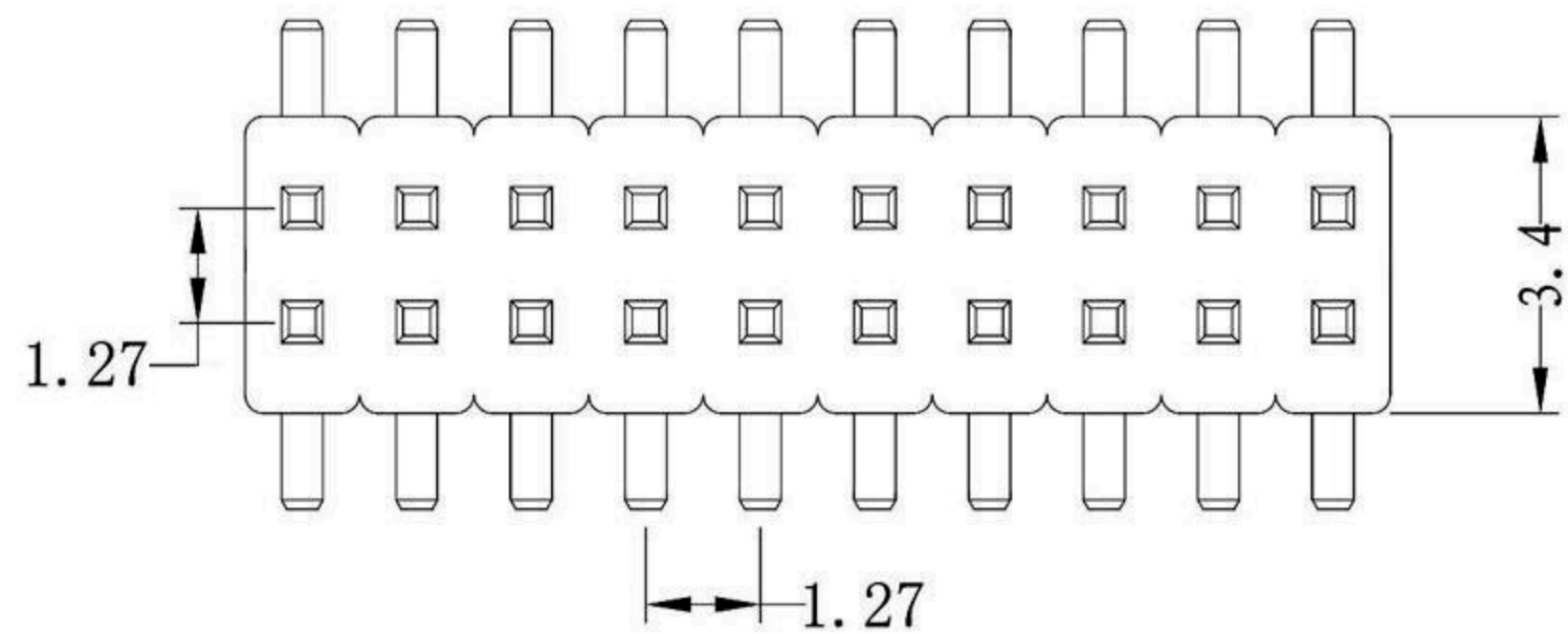


# SPECIFICATIONS

Current Rating : 1AMP  
 Operation Temperature: -40° C to +105° C  
 Contact Resistance : 20mΩ Max.  
 Insulation Resistance: 1000MΩ Min.  
 Withstanding Voltage : AC500V  
 Insulator Material : Polyester (UL94V-0)  
 Standard: PA6T  
 Contact Material : Brass  
 Contact plating : Au or Sn over 50u" Ni



**C** **1282** — **12** **B** **D** **G** **CE** **P** **R**

1 2 3 4 5 6 7 8 9

- |   |                                      |  |   |
|---|--------------------------------------|--|---|
| 1. PRODUCTS:<br>C: Connector            | 5. CONTACT TYPE:<br>D: S.M.T.        | 7. PIN LENGTH(mm):<br>CE (S.M.T.) - C: 3.0mm<br>- D: 5.5mm<br>- E: 1.7mm | 8. OTHERS:<br>T: Tube Packing<br>R: Reel Packing<br>P: PAD+Tube Packing<br>Q: PAD+Reel Packing<br>9.R: ROHS |
| 2. SERIES NO.:<br>1282                  | 6. CONTACT PLATING:<br>G: Gold Flash |  |   |
| 3. CONTACT NO.:<br>04(2x2)-A0:100(2x50) |                                      |  |   |
| 4. ROW TYPE:<br>B: Dual Rows            |                                      |  |   |

**RoHS Compliant** **HSM 玄茂科技股份有限公司**  
**HSUAN MAO TECHNOLOGY CO., LTD.**

APPD. 核准	SCALE 比例 参考	TOLERANCE 容許公差	PART NAME 品名
DWG. 製圖 Helen		.0 ± 0.2 .00 ± 0.15 ANG. ±	
DATE 制表日	UNIT 單位 MM	SIZE 紙張尺寸 A4	PART NO. 料號 C1282-XXBDXCXR
2016/10/13	PAGE 張數 1 OF 1	REV. 版本 A	