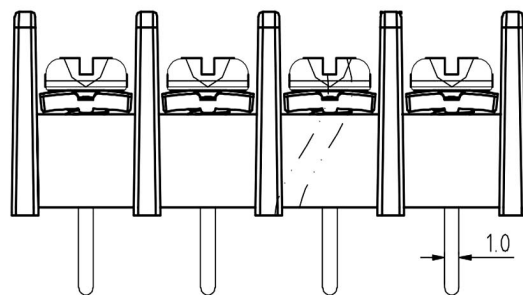
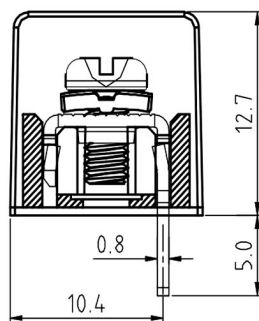
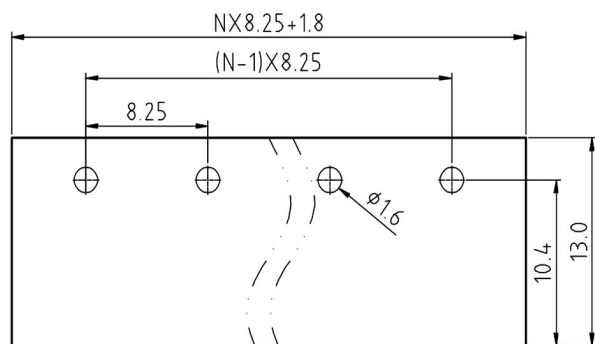


N=Number of contacts



P.C.B LAYOUT



Technical Data:

Material:

Terminals: Copper Alloy, Tin Plated

Terminal screw: Steel galvanized with Cr3+ plated

Insulator body(housing): Polyamide (Glass filled)(UL94V-0)

Electrical

Voltage rating: 300VAC

Current rating: 20 Amps/way max

Contact resistance: 20m Ω (max)

Withstanding Voltage: 2500VAC(1min) Test time=60sec/1pcs

Wire range: 12-22AWG

Mechanical:

Torque: 10kgf.cm/M3.0

Operating temperature: -40°C to +105°C

Soldering reliability:

Test temperature= 250°C \pm 10°C

5 seconds max

RoHS Compliant		HSM 玄茂科技股份有限公司 HSUAN MAO TECHNOLOGY CO., LTD.	
APPD. 核准		TOLERANCE × ±0.50 ×× ±0.30 ××× ±0.20 ×° ±1°	PART NAME 品名 8.25mm TERMINAL BLOCK SIDE PIN TYPE XXP SUITABLE 12~22AWG TIN PLATED BLACK INSULATOR WITHOUT FLANGE ROHS
DWG. 製圖	Betty	SCALE 比例 參考	PART NO. 料號
DATE 制表日	2017/01/05	UNIT 單位 M M PAGE 張數 1 OF 1	C0949-XXBXTBN0R