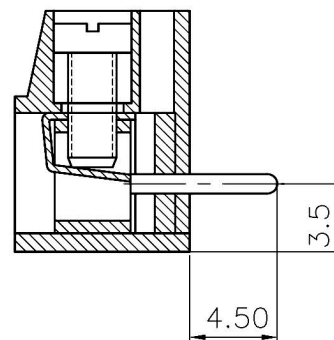
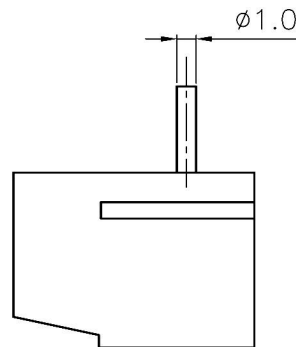
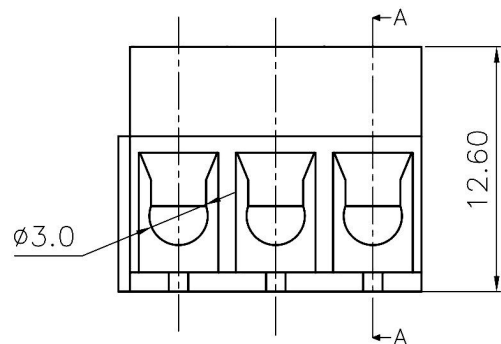
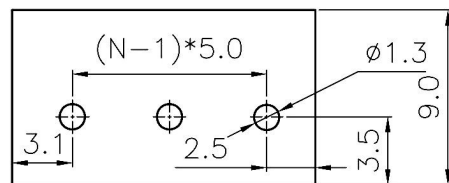


N:表示产品pin数



A-A



RECOMMEND PCB LAYOUT (TOLERANCE=±0.05)

• MATERIAL
 SCREWS : M3 STEEL ZINC PLATED
 CONTACT : BRASS
 PIN HEADER : BRASS, TIN PLATED
 HOUSING : PBT, UL94V-0

• ELECTRICAL
 RATED VOLTAGE : 300V
 RATED CURRENT : 10A
 CONTACT RESISTANCE : 20mΩ
 INSULATION RESISTANCE : 5000Ω/1000V
 WITHSTANDING VOLTAGE : AC1500V/1Min
 WIRE RANGE : 22-14AWG 2.5mm²

• MECHANICAL
 TEMP.RANGE : -30℃ ~ +120℃
 MAX SOLDERING : +250℃, FOR 5 SEC.
 TORQUE : 0.5 Nm(4.51Lb.in)
 STRIP LENGTH: 4.5-5 mm

RoHS Compliant		HSM 玄茂科技股份有限公司 HSUAN MAO TECHNOLOGY CO., LTD.	
APPD. 核准 HELEN	SCALE 比例 参考	TOLERANCE X: ±0.60 .X: ±0.38 .XX: ±0.25 X: ±5° .X: ±3° .XX: ±2°	PART NAME 品名 5.0mm TERMINAL BLOCK XXPIN H=12.6mm RIGHT ANGLE TYPE SUITABLE FOR 14-22AWG TIN PLATED BLUE INSULATOR ROHS
DWG. 製圖 ABBY	UNIT 單位 MM	SIZE 紙張尺寸 A4	PART NO. 料號 C0943-XXRWTL00R
DATE 制表日 2017/09/01	PAGE 張數 1 OF 1	REV. 版次 A	