

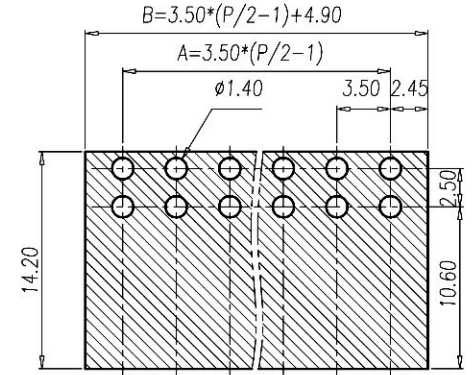
NOTES 1:

UL Standard :

1. Rating: 150V 10A
PITCH: 3.50mm
2. Insulation Withstands Voltage:
AC 2000V at 1 minute
3. Using Temperature Range:
-40°C~+110°C

IEC Standard :

1. Rating: 320V 10A
2. Rate Impulse Voltage: 2500V
3. Insulation Resistance:
500MΩ or more at DC500V
4. Material Group : I
5. Pollution Degree : 2
6. Overvoltage Category: II
7. Using Temperature Range:
-40°C~+110°C



P.C.B. LAYOUT

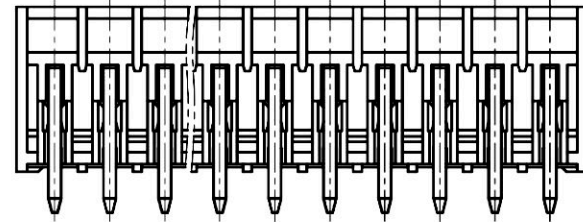
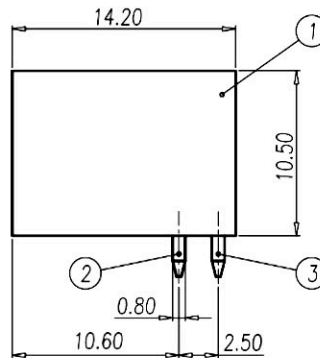
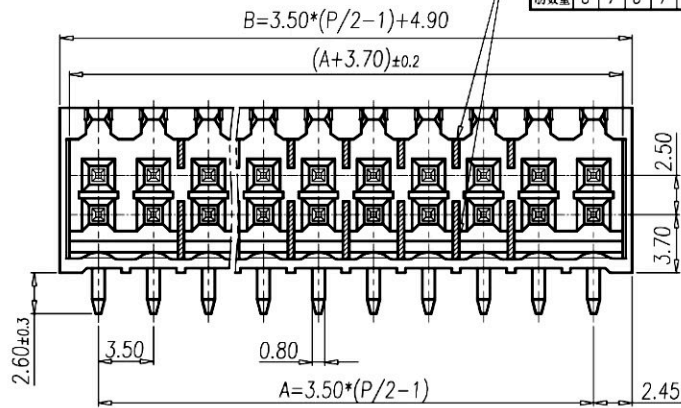
P	4	6	8	10	12	14	16	18	20	22	24
A	3.5	7.0	10.5	14.0	17.5	21.0	24.5	28.0	31.5	35.0	38.5
B	8.4	11.9	15.4	18.9	22.4	25.9	29.4	32.9	36.4	39.9	43.4
P	26	28	30	32	34	36	38	40	42	44	
A	42.0	45.5	49.0	52.5	56.0	59.5	63.0	66.5	70.0	73.5	
B	46.9	50.4	53.9	57.4	60.9	64.4	67.9	71.4	74.9	78.4	

NOTES 2:

1. RoHS compliance
2. Through hole reflow soldering
Temperature: 245°C

阴影肋的数量表

P	4	6	8	10	12	14	16	18	20	22	24
肋数量	4-18P之间都有肋								7	8	7
P	26	28	30	32	34	36	38	40	42	44	
肋数量	8	7	8	7	8	9	10	11	12	13	



Total Pitch Tolerances		Normal Dimension Tolerances	
0~30	±0.20	0~30	±0.25
over 30~53	±0.25	over 30~53	±0.30
over 53~70	±0.30	over 53~70	±0.35
over 70~90	±0.35	over 70~90	±0.44
over 90~115	±0.44	over 90~115	±0.55
over 115~150	±0.55	over 115~150	±0.70
over 150~200	±0.70	over 150~200	±0.85
over 200~250	±0.85	over 200~250	±1.00
over 250~320	±1.00	over 250~320	±1.20

ITEM	NAME OF PART	MATERIAL	NOTES
3	SOLDER PIN 2	COPPER ALLOY	Tin Plated
2	SOLDER PIN 1	COPPER ALLOY	Tin Plated
1	HOUSING	LCP	UL94-V0 BLACK

RoHS Compliant

HSM 玄茂科技股份有限公司
HSUAN MAO TECHNOLOGY CO., LTD.

APPD. 核准	HELEN
DWG. 製圖	ABBY
DATE 制表日	2023/03/20

SCALE 比例	參 考
UNIT 單位	MM
PAGE 張數	1 OF 1

TOLERANCE 容許公差	0 ± 0.35
	.00 ± 0.25
ANG. ± 3°	
SIZE. 紙張尺寸	A4
REV. 版本	B

PART NAME 品名
3.5mm TERMINAL BLOCKS DOUBLE-DECKED
TYPE 2X??P RIGHT ANGLE TYPE TIN PLATING
BLACK INSULATOR INSULATOR MATERIAL:LCP
DIP LENGTH:2.6mm ROHS

PART NO.
料 號 C0939-XXRTNBB0R