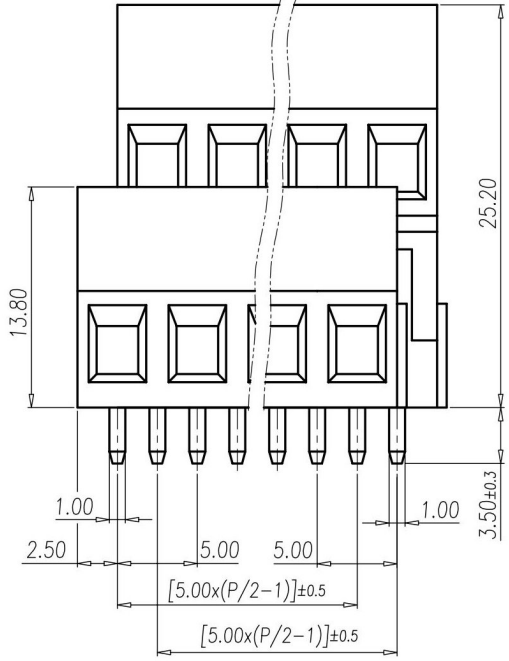


PCB LAYOUT (REF)



Normal Geometric Tolerancing			
	—	//	⊥
0 to 100	0.2	0.3	0.2
over 100 to 150	0.3	0.3	0.2
over 150	0.5		0.3
Total Pitch Tolerances		Normal dimension Tolerances	
0 < U ≤ 30	±0.20	0 ~ 30	±0.25
30 < U ≤ 53	±0.25	over 30 ~ 53	±0.30
53 < U ≤ 70	±0.30	over 53 ~ 70	±0.35
70 < U ≤ 90	±0.35	over 70 ~ 90	±0.44
90 < U ≤ 115	±0.44	over 90 ~ 115	±0.55
115 < U ≤ 150	±0.55	over 115 ~ 150	±0.70
150 < U ≤ 200	±0.70	over 150 ~ 200	±0.85
200 < U ≤ 250	±0.85	over 200 ~ 250	±1.00
250 < U ≤ 320	±1.00	over 250 ~ 320	±1.20

NOTES:

- Rating: 300V 20A (IEC250V 24A)
PITCH: 5.00 mm
- Insulation Withstands Voltage:
AC 2000V at 1 minute
- Insulation Resistance:
500MΩ or more at DC500V
- Using Temperature Range:
-40°C ~ +105°C
- Suitable Electric Wire:
24~12AWG (IEC 0.5~2.5mm²)
- Torque Value: 5 kgf-cm
- RoHS compliance

ITEM	NAME OF PART	MATERIAL	NOTES
6	SCREW	STEEL	M2.5 Zn Plated
5	WIRE CAGE	STEEL	M2.5 Zn Plated
4	SOLDER POST	COPPER ALLOY	Tin Plated
3	SOLDER POST	COPPER ALLOY	Tin Plated
2	HOUSING	PA66	UL94-V2 GREEN
1	HOUSING	PA66	UL94-V2 GREEN

RoHS Compliant

HSM 玄茂科技股份有限公司
HSUAN MAO TECHNOLOGY CO., LTD.

APPD. 核准 BETTY
DWG. 製圖 BETTY
DATE 制表日 2011/04/15

SCALE 比例 參考
UNIT 單位 MM
PAGE 張數 1 OF 1
REV. 版次 A

PART NAME 品名
5.0mm TERMINAL BLOCK PCB TYPE H:14.0mm & 25.4mm
XXP STRAIGHT TYPE ZINC PLATING
SUITABLE FOR 12~24AWG RIGHT SIDE GREEN COLOR
ROHS
PART NO. 料號 C0934-XXSR5ZE0R