

# SPECIFICATIONS

- ① Housing Material: Polyamide 66(UL94V-0), Green
- ② Screw: M2.6 Nickel Plated Steel
- ③ Terminals: Tin Plated Brass
- ④ Wire Clamp: Nickel Plated Bronze

Screws Torque: 3.5 In-Lb

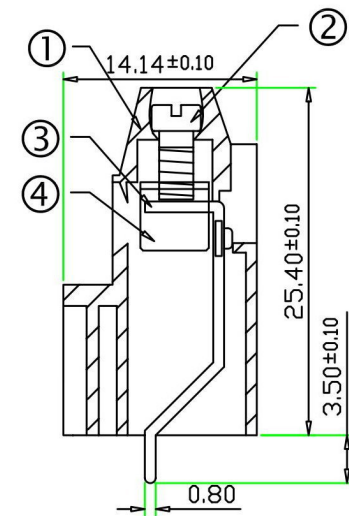
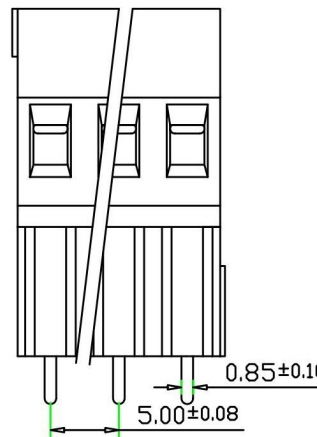
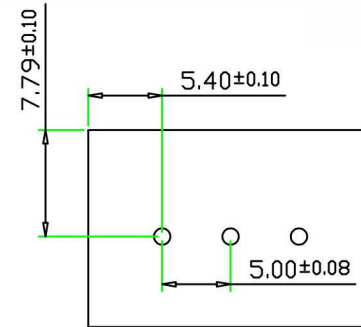
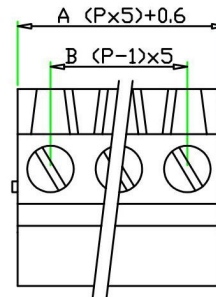
Wire Range: 16~22 AWG

Rated: 10 Amperes.AC250V

Operation Temperature: -55°C~+95°C

Insulation withstands volt: AC2000V min

Insulation resistance: >1000MΩ or more at DC500V



Tolerance ± 0.5

POLE	2	3	4	5	6	7	8	9	10	11	12	13	
A	10.6	15.6	20.6	25.6	30.6	35.6	40.6	45.6	50.6	55.6	60.6	65.6	
B	5	10	15	20	25	30	35	40	45	50	55	60	
POLE	14	15	16	17	18	19	20	21	22	23	24	25	26
A	70.6	75.6	80.6	85.6	90.6	95.6	100.6	105.6	110.6	115.6	120.6	125.6	130.6
B	65	70	75	80	85	90	95	100	105	110	115	120	125

RoHS Compliant

**HSM** 玄茂科技股份有限公司  
**HSUAN MAO TECHNOLOGY CO., LTD.**

APPD. 核准 Betty  
 DWG. 製圖 Yumi  
 DATE 制表日 2010/06/23

SCALE 比例 參考  
 UNIT 單位 M M  
 PAGE 張數 1 OF 1

TOLERANCE 容許公差  
 .0 ±  
 .00 ±  
 ANG. ±  
 SIZE. 紙張尺寸 A 4  
 REV. 版次 A  
 PART NAME 品名  
 5.0mm TERMINAL BLOCK PCB TYPE H:25.4mm  
 XXP STRAIGHT TYPE SUITABLE FOR 16~22AWG  
 NICKEL PLATING GREEN COLOR ROHS  
 PART NO. 料號 C0932-XXSUNE00R